



Hinges / Concealed hinges

Concealed hinge 90°

LH or RH options.

A full product data sheet is available on our website.

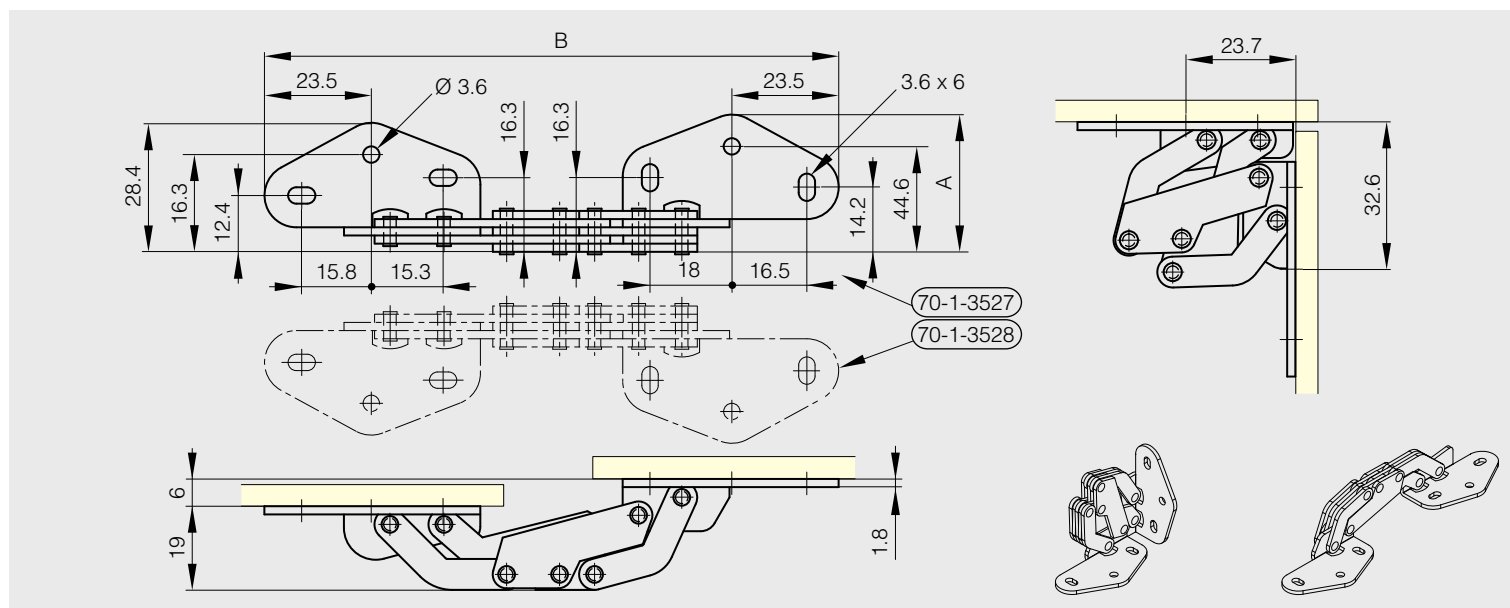
A	B	part number	material	finish	weight
30.2	126.5	70-1-3528	steel	zinc plated	78g



LH or RH options.

A full product data sheet is available on our website.

A	B	part number	material	finish	weight
30.2	126.5	70-1-3527	steel	zinc plated	78g



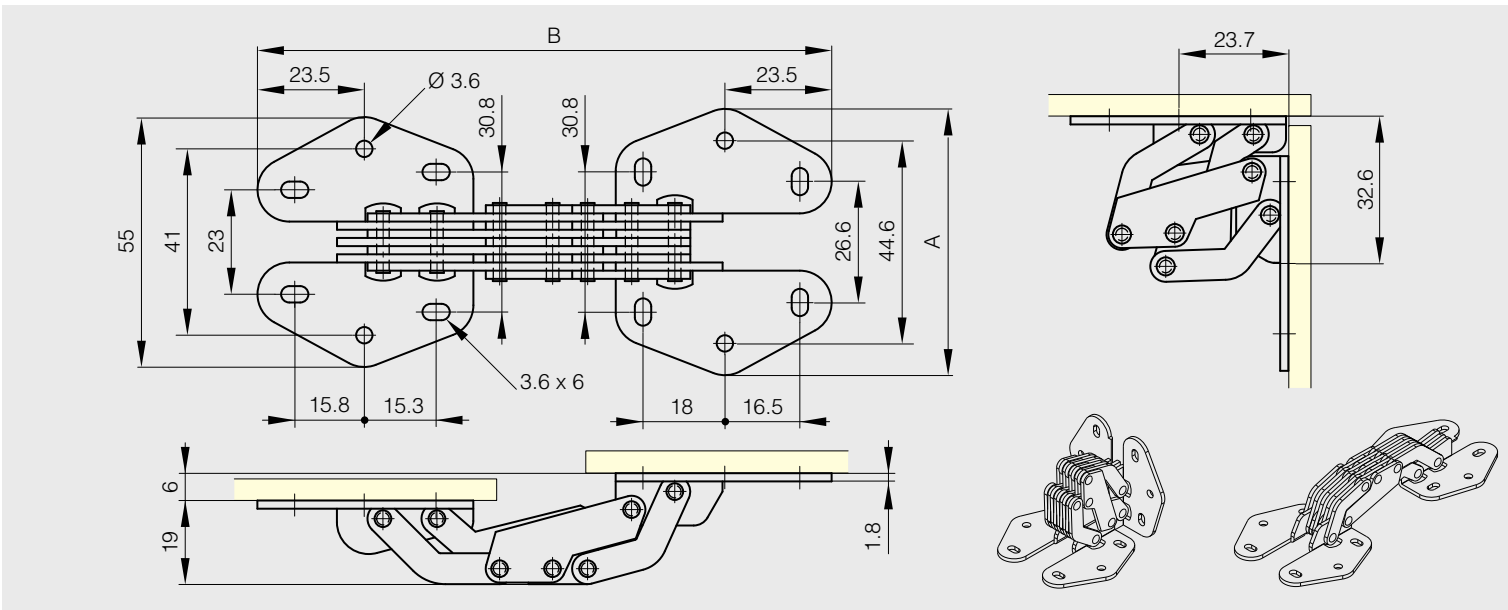


Hinges / Concealed hinges

Concealed hinge 90° opening

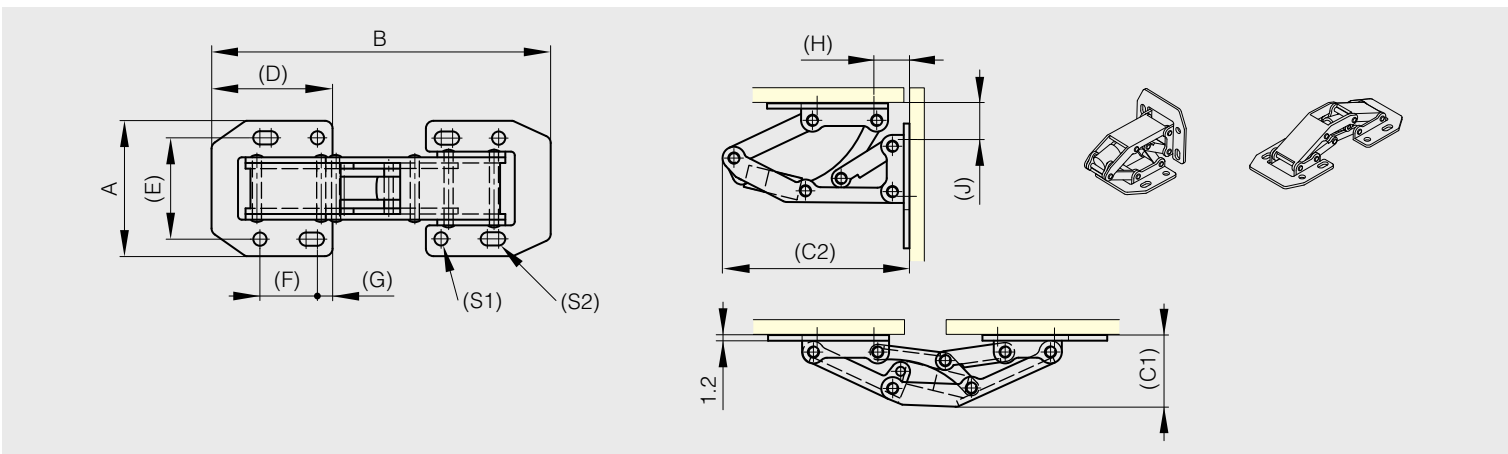
A full product data sheet is available on our website.

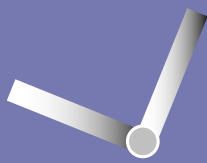
A	B	part number	material	finish	weight
58.6	126.5	70-1-3303	steel	zinc plated	150g



Spring loaded concealed hinges 90° opening

A	B	C1	C2	D	E	F	G	H	J	S1	S2	part number	material	finish	weight
36	90	17	50	32.5	26.5	15.2	4.5	8.6	10.3	3	3x5	70-1-3551	steel	nickel plated	40g
42	106	23	57	38	32	18	5	8.7	10.8	3.9	3.9x6.4	70-1-3552	steel	nickel plated	60g



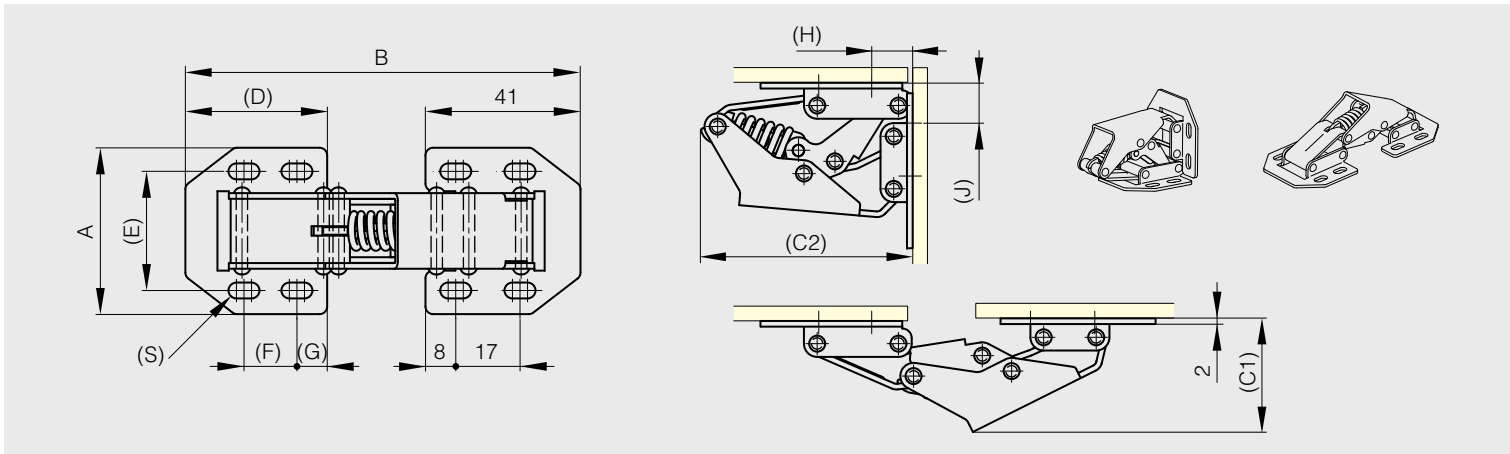


Hinges / Concealed hinges

Spring loaded concealed hinges 90° opening

Heavy duty hinge

A	B	C1	C2	D	E	F	G	H	J	S	part number	material	finish	weight
44	104.5	30	56	37.5	31.5	14	8	10.8	10.8	4.2x8	70-1-3550	316 stainless steel	raw	90g

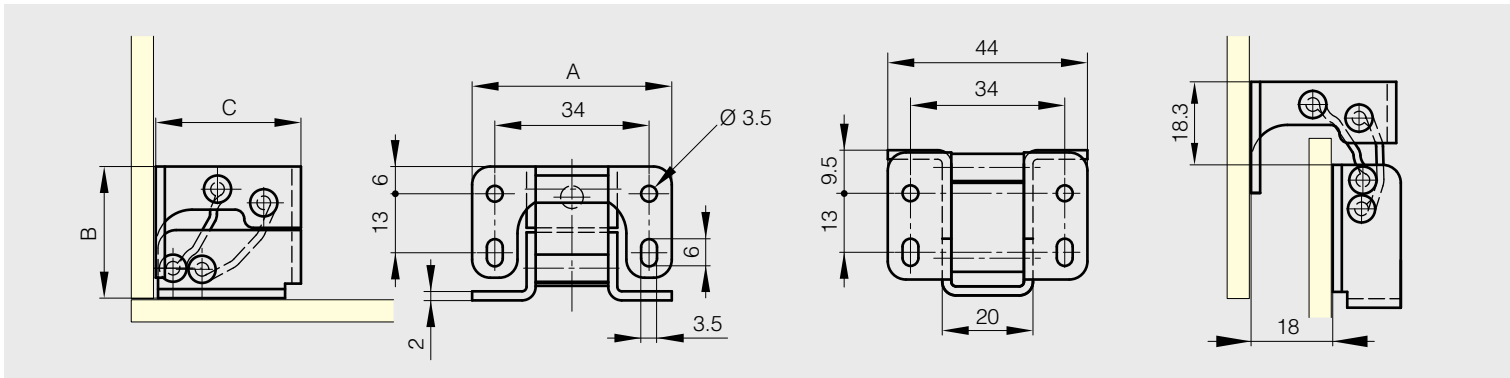


Concealed hinge 90° opening

Refer to the product data sheet on our website for mounting instructions.

Pins and links in 430 stainless steel.

A	B	C	part number	material	finish	weight
44	29	32	70-1-3520	steel	zinc plated	65g

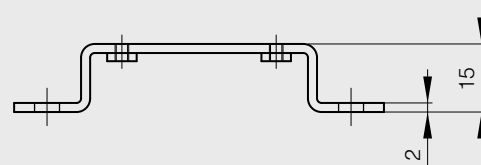
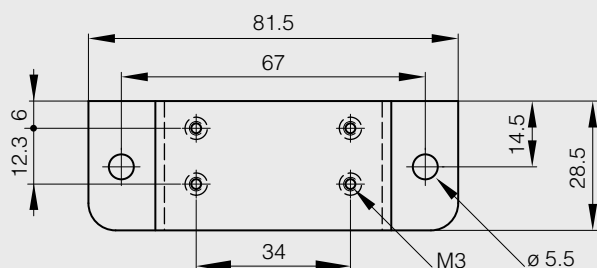




Bracket for hinge 70-1-3520

This bracket is used to mount the hinge on metal enclosures

part number	material	finish	weight
99-1-3607	steel	zinc plated	45.7g

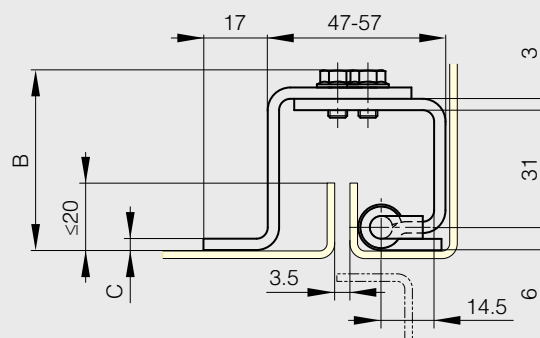
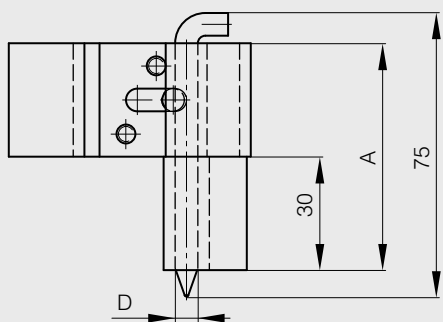


Concealed heavy duty hinge - for flush doors - 90° opening

Concealed hinge for LH or RH application.

The 2 main hinge parts have a central guide to prevent door from sagging during adjustment.

A	B	C	D	part number	material	finish	weight
60	48	3	6	85-7-1321	steel	raw / zinc plated	189g
60	48	3	6	85-7-2331	304 stainless steel	raw	189g





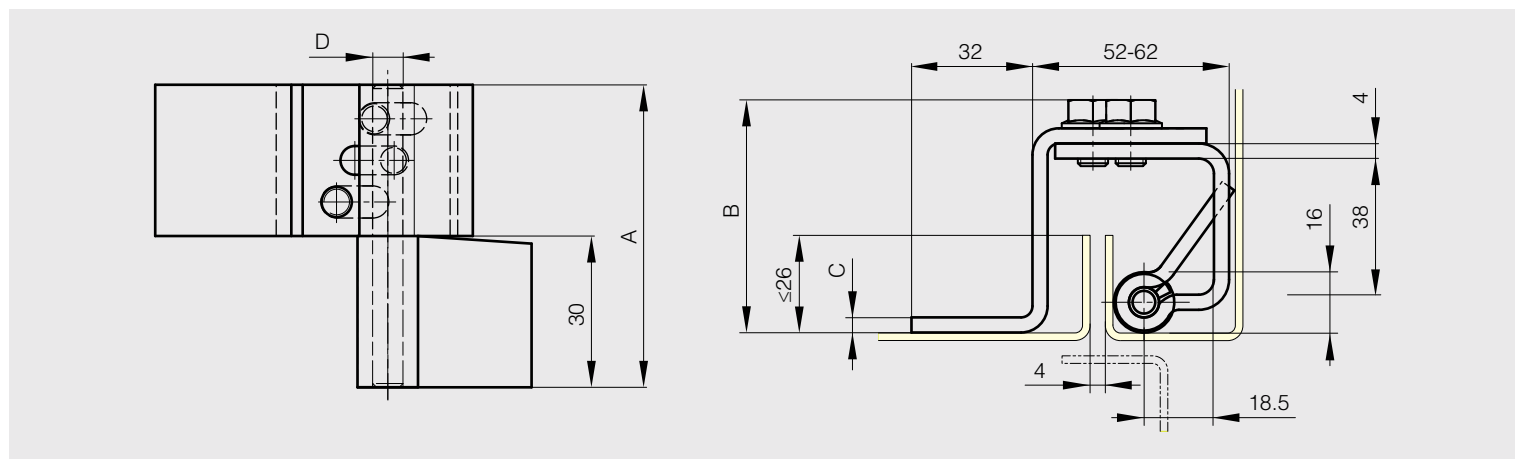
Hinges / Concealed hinges

Concealed heavy duty hinge - for flush doors - 90° opening

Concealed hinge for LH or RH application.

The 2 main hinge parts have a central guide to prevent door from sagging during adjustment.

A	B	C	D	part number	material	finish	weight
80	62	4	8	85-7-1333	steel	raw / zinc plated	420g
80	62	4	8	85-7-2334	304 stainless steel	raw	420g

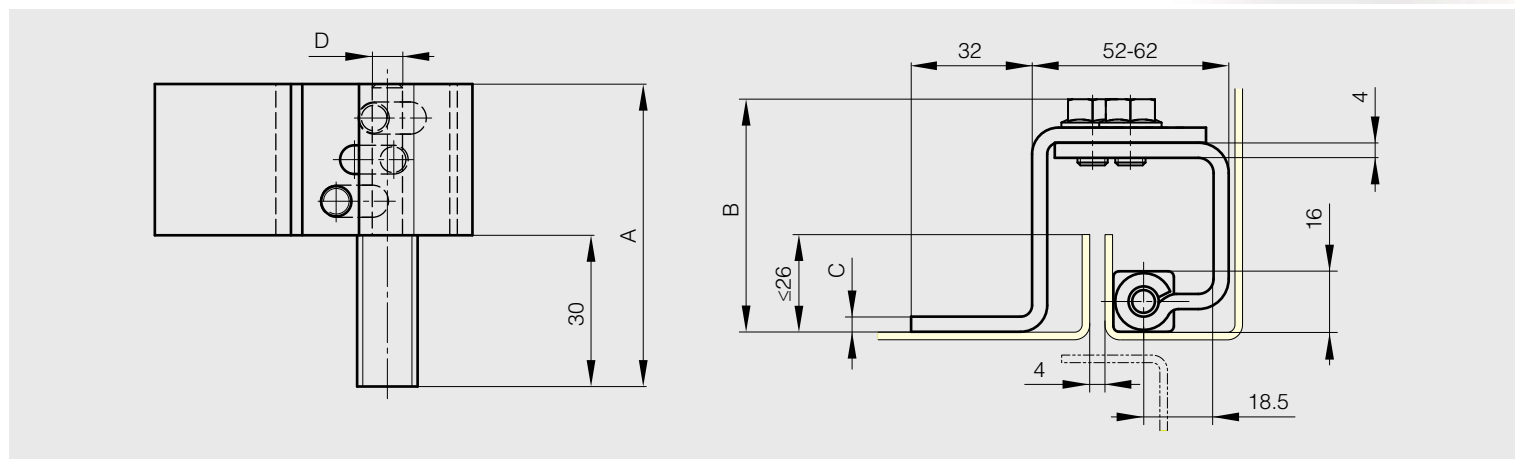


Concealed heavy duty hinge - for flush doors - 90° opening

Concealed hinge for LH or RH application.

The 2 main hinge parts have a central guide to prevent door from sagging during adjustment.

A	B	C	D	part number	material	finish	weight
80	61	4	8	85-7-1331	steel	raw / zinc plated	412g
80	61	4	8	85-7-2332	304 stainless steel	raw	412g



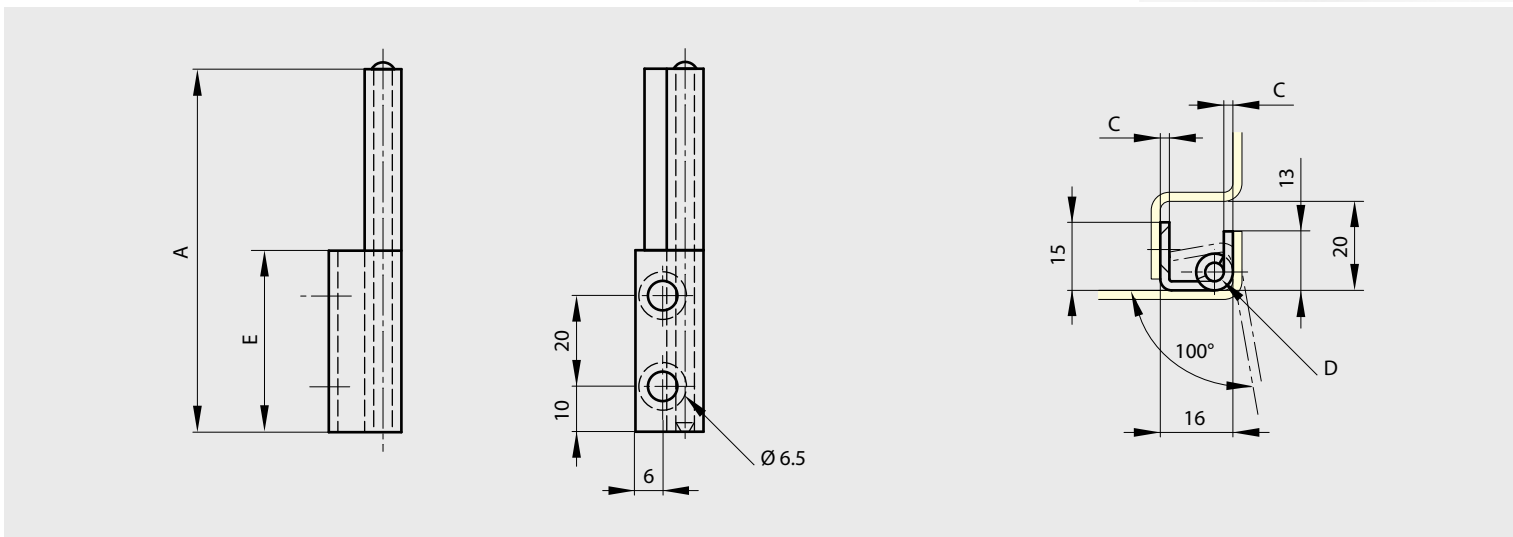


Concealed pin hinges - 100° opening

Non handed fitting

Removable pin in 304 stainless steel

A	C	D	E	part number	material	finish	weight
80	2	4	40	12-1-3537	steel	raw	45g
80	2	4	40	12-1-3538	304 stainless steel	raw	45g



Concealed hinge 110° opening

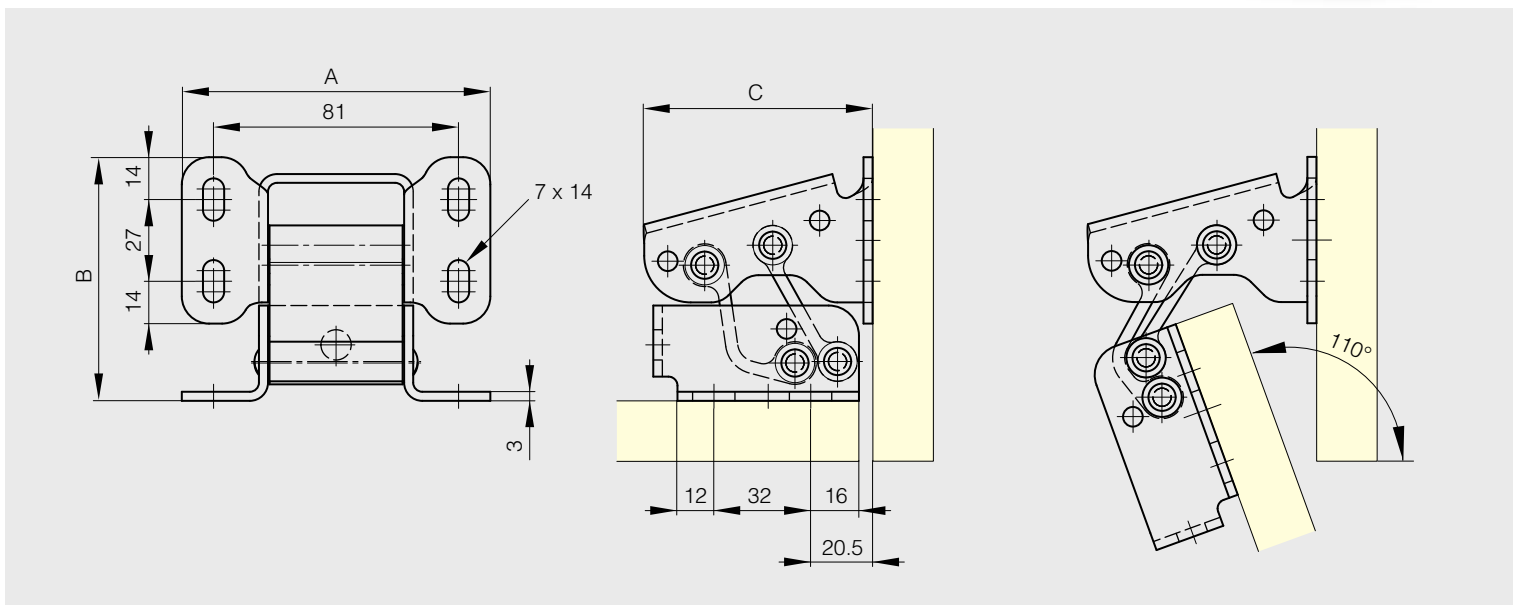
new!

Heavy duty concealed hinge

Tested to 10,000 cycles using 2 hinges with a door weight of 25 kg measuring 1 m x 1 m.

Links in anodised aluminium.

A	B	C	part number	material	finish	weight
102	80.5	76	70-1-3557	steel	zinc plated	520g





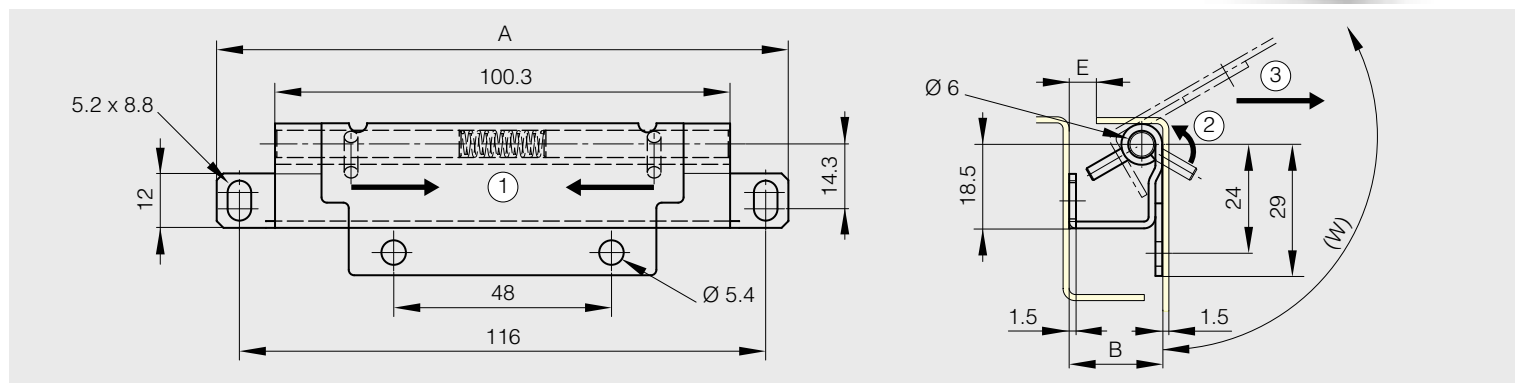
Hinges / Concealed hinges

Concealed hinges with retractable pin

new!

Quick-release concealed hinge for tool-free door removal with fixed retractable pin.

A	B	E	W	part number	material	finish	weight
126	17.5	3	122°	62-1-9000	stainless steel	raw	73g
126	20.5	4	117°	62-1-9001	stainless steel	raw	84g
126	23.9	4.5	112°	62-1-9002	stainless steel	raw	100g



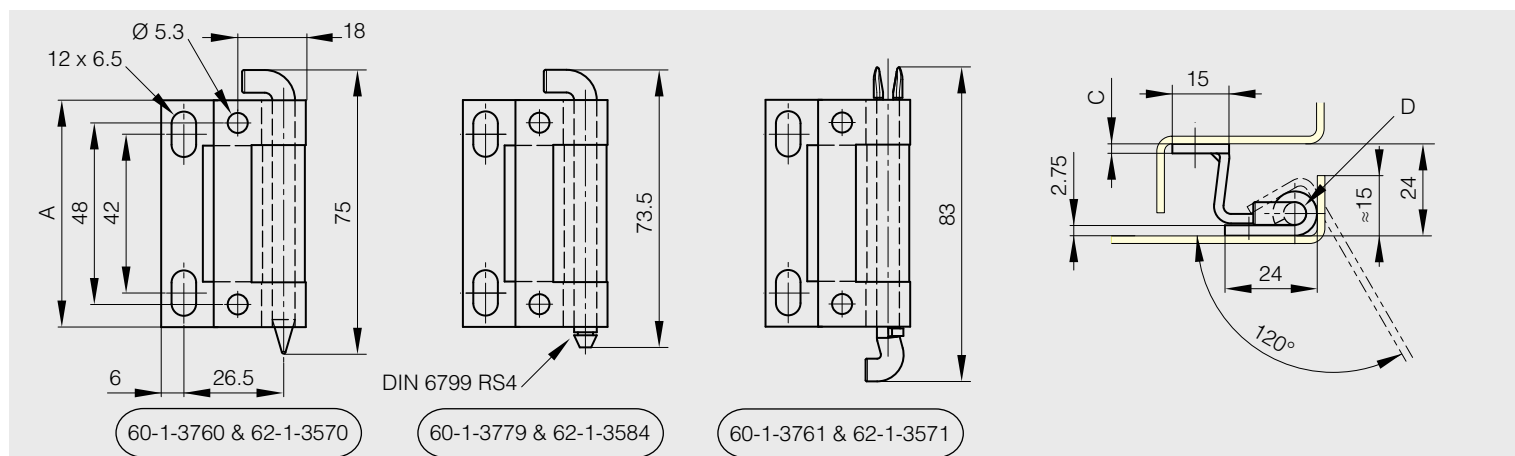
Concealed hinges - 120° opening

Zinc plated steel hinge, small flat side in raw steel.

Natural POM pin diameter 6.

For pin with groove, optimal use of circlips DIN 6799 RS4.

A	C	D	pin	part number	material	finish	weight
60	2.5	6	zinc plated pin	60-1-3760	steel	zinc plated	85g
60	2.5	6	zinc plated grooved pin	60-1-3779	steel	zinc plated	85g
60	2.5	6	delrin pin	60-1-3761	steel	zinc plated	85g
60	2.5	6	304 stainless steel pin	62-1-3570	304 stainless steel	raw	85g
60	2.5	6	303 stainless steel grooved pin	62-1-3584	304 stainless steel	raw	85g
60	2.5	6	delrin pin	62-1-3571	304 stainless steel	raw	85g



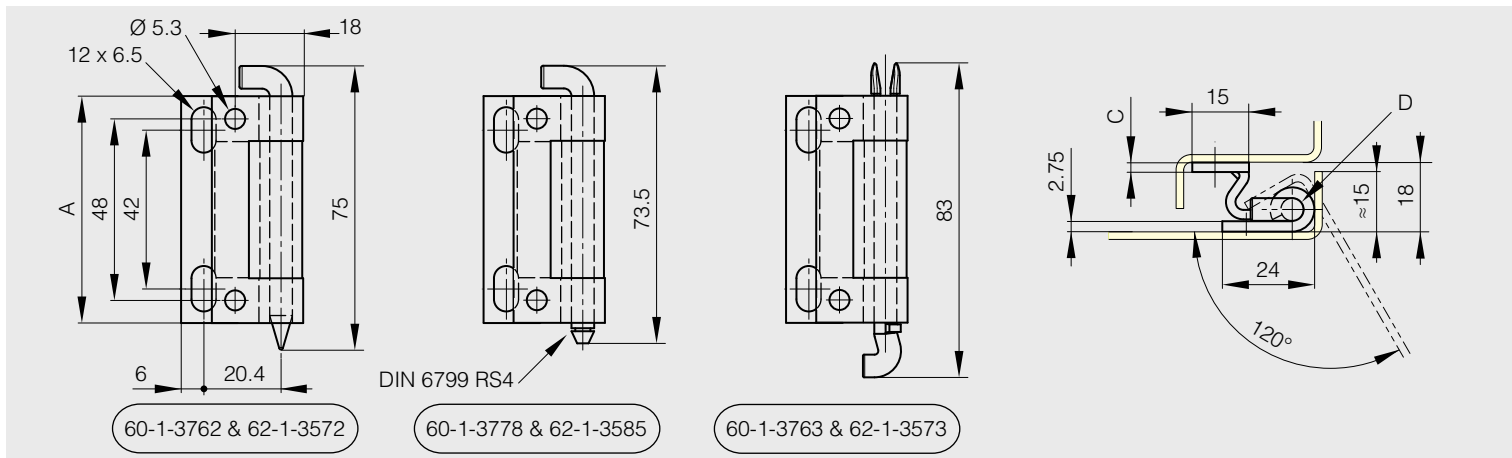


Hinges / Concealed hinges

Concealed hinges - 120° opening

Zinc plated steel hinge, small flat side in raw steel.
 Natural POM pin diameter 6.
 For pin with groove, optimal use of circlips DIN 6799 RS4.

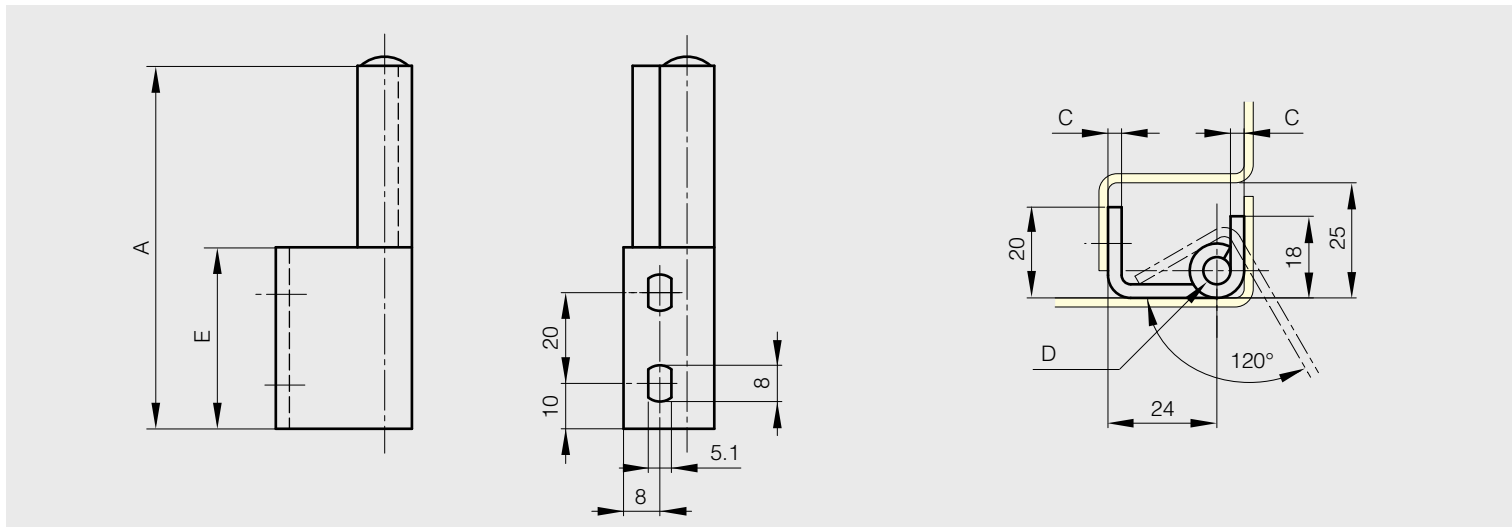
A	C	D	pin	part number	material	finish	weight
60	2.5	6	zinc plated pin	60-1-3762	steel	zinc plated	75g
60	2.5	6	zinc plated grooved pin	60-1-3778	steel	zinc plated	75g
60	2.5	6	delrin pin	60-1-3763	steel	zinc plated	75g
60	2.5	6	304 stainless steel pin	62-1-3572	304 stainless steel	raw	75g
60	2.5	6	303 stainless steel grooved pin	62-1-3585	304 stainless steel	raw	75g
60	2.5	6	delrin pin	62-1-3573	304 stainless steel	raw	75g



Concealed pin hinges - 120° opening

Non handed fitting
 Removable pin in 304 stainless steel

A	C	D	E	part number	material	finish	weight
80	3	6	40	12-1-3524	steel	raw	107g
80	3	6	40	12-1-3528	304 stainless steel	raw	107g



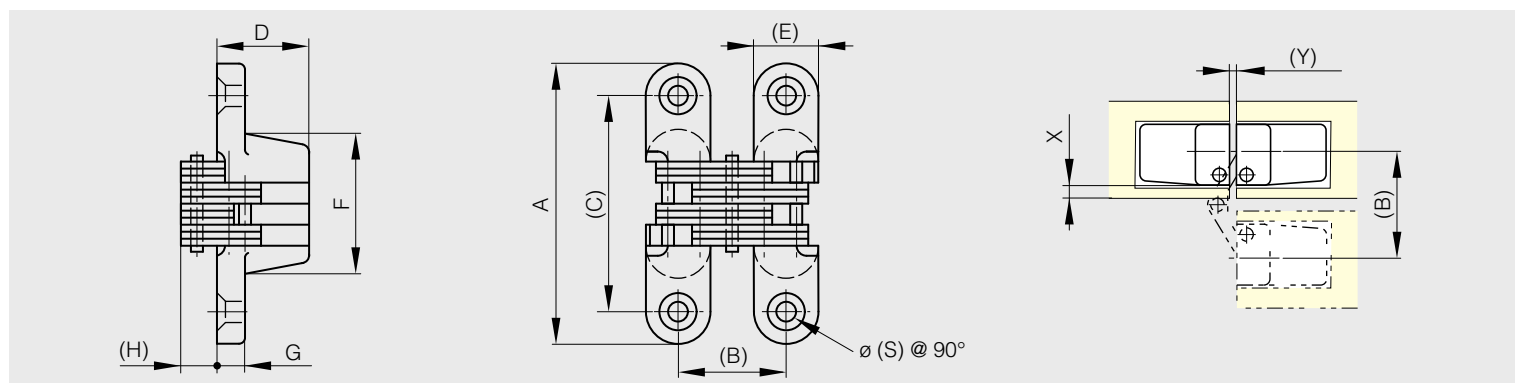


Hinges / Concealed hinges

Multi link concealed hinges - 180° opening

Links and pins in 303 and 304 stainless steel.
A full product data sheet is available on our website.

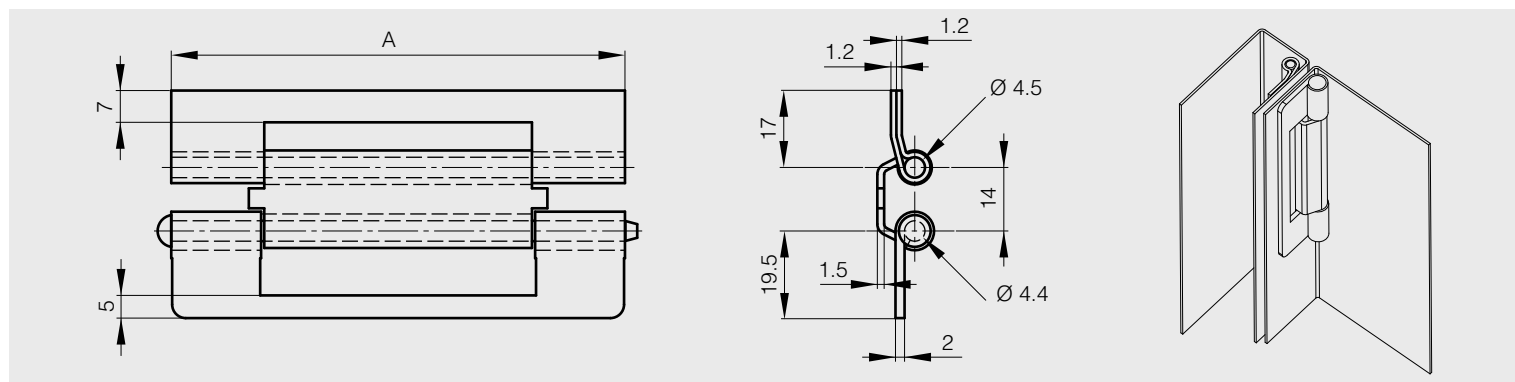
A	B	C	D	E	F	G	H	S	X	Y	part number	material	finish	weight
43	18	32	13	11	22	5	5	3.5	≤ 2.3	0.8	70-7-3539	zinc die-cast	chrome plated satin	36.6g
45	22.7	32	18.5	13	19	5	6	3.5	≤ 3	0.8	70-7-3540	zinc die-cast	chrome plated satin	55g
60	22.2	47	18.5	13	33	6.5	6.5	4.3	≤ 3	1	70-7-3541	zinc die-cast	chrome plated satin	100g
70	26.6	53	23	16.1	35	7	9	4.6	≤ 3.5	1.2	70-7-3542	zinc die-cast	chrome plated satin	160g
100	33.2	80	27.5	20	52	9.5	9.5	5.3	≤ 4.8	1.8	70-7-3543	zinc die-cast	chrome plated satin	350g



Concealed hinge with removable pin - 180° opening

Patented concealed hinge for metallic enclosures with a 180° opening.
Removable pin makes disassembly of doors easy.
Product data sheet with mounting instructions available on request or on our website.
Door thickness max : 1mm

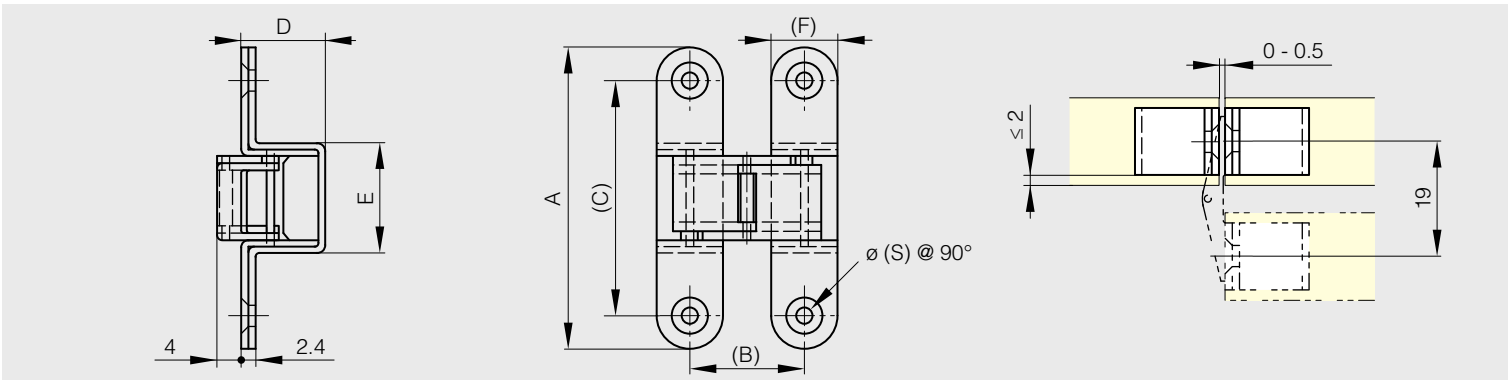
A	part number	material	finish	weight
100	73-1-3504	steel	raw	123g





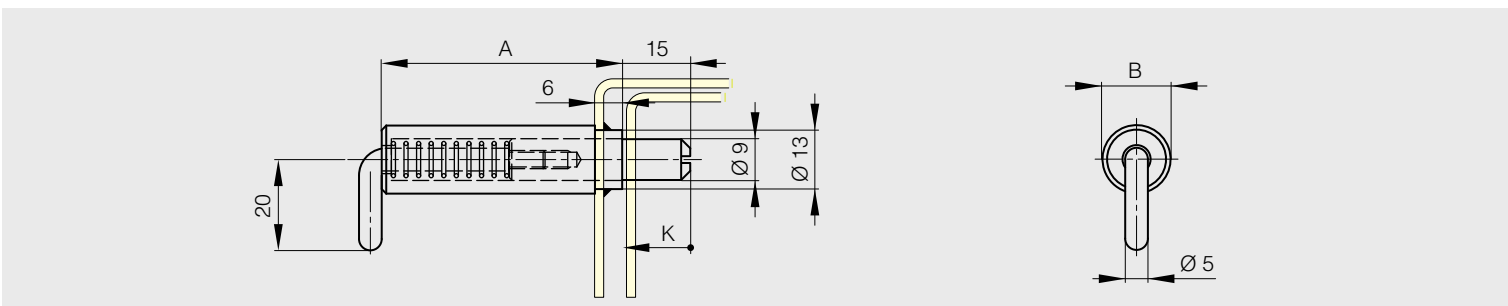
Concealed hinge 180° opening

A	B	C	D	E	F	S	part number	material	finish	weight
50	19	38	14	18.2	11	2.7	70-7-3544	304 stainless steel	satin	33g



Concealed weld-on springloaded pin hinge

A	B	K	part number	material	finish	weight
53	15	15	85-7-1030	steel	raw	70g

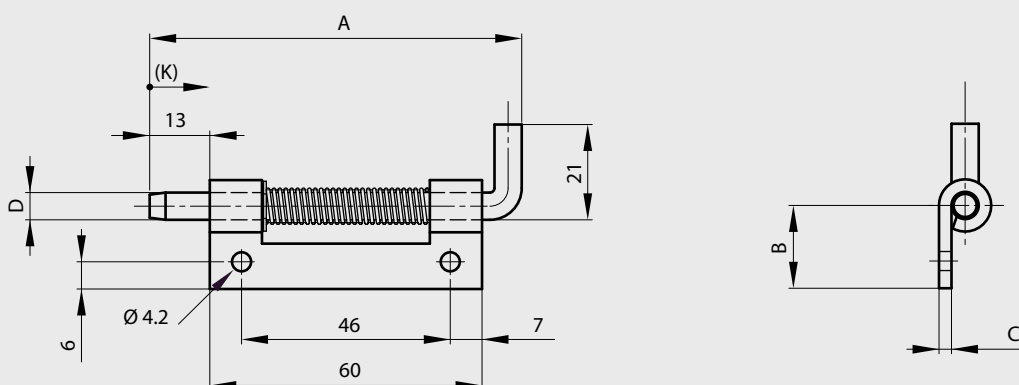




Concealed springloaded pin hinges

Stainless steel spring. Hinges in raw steel and zinc plated steel with a zinc plated pin.

A	B	C	D	K	note	part number	material	finish	weight
82	18.2	2.8	6	12	type 1 as shown below	12-1-3856	steel	raw	46.4g
82	18.2	2.8	6	12	type 2 symmetric not shown	12-1-3857	steel	raw	46.4g
82	18.2	2.8	6	12	type 1 as shown below	12-1-3854	steel	zinc plated	46.4g
82	18.2	2.8	6	12	type 2 symmetric not shown	12-1-3855	steel	zinc plated	46.4g
82	18.2	2.8	6	12	type 1 as shown below	12-1-3858	304 stainless steel	raw	46.4g
82	18.2	2.8	6	12	type 2 symmetric not shown	12-1-3859	304 stainless steel	raw	46.4g



Stainless steel spring

A	B	C	D	K	note	part number	material	finish	weight
82	21	14	5	12	type 1 as shown below	12-1-3950	steel	raw	38.5g
82	21	14	5	12	type 2 symmetric not shown	12-1-3951	steel	raw	38.5g
82	21	14	5	12	type 1 as shown below	12-1-3860	steel	zinc plated	38.5g
82	21	14	5	12	type 2 symmetric not shown	12-1-3861	steel	zinc plated	38.5g
82	21	14	5	12	type 1 as shown below	12-1-3862	304 stainless steel	raw	38.5g
82	21	14	5	12	type 2 symmetric not shown	12-1-3863	304 stainless steel	raw	38.5g

