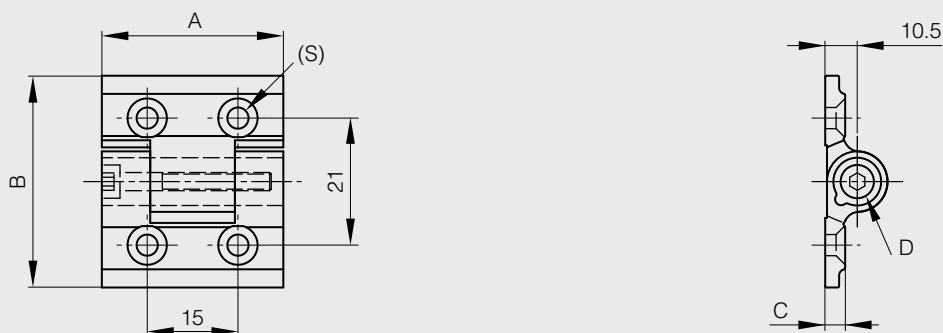




Small friction hinge - adjustable

Small size friction hinge to maintain a panel in position.
The friction torque is adjustable with a hex key.
A full product data sheet is available on our website.

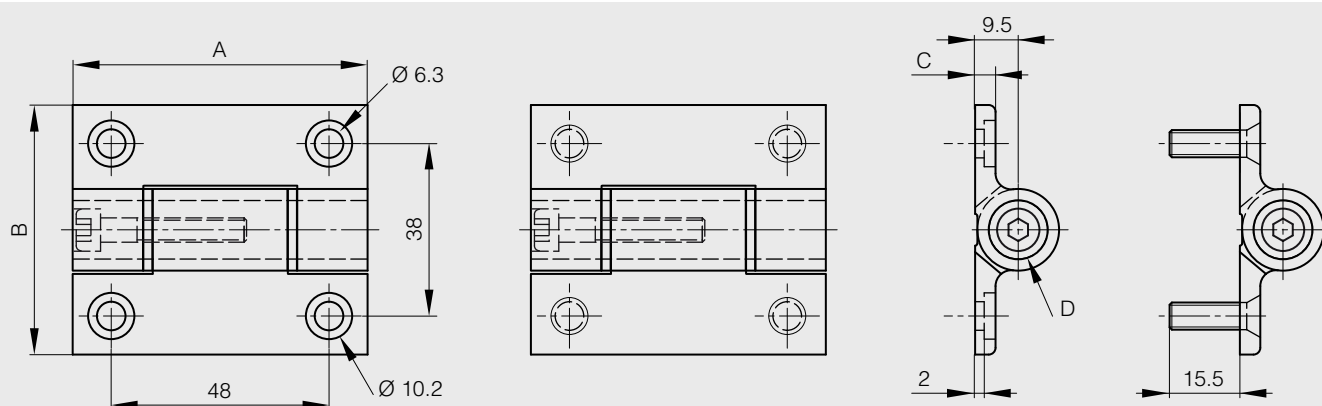
A	B	C	D	S	part number	material	finish	weight
30	35	3	8	3.5	72-1-4136	alu 6060 T5	raw	10g
30	35	3	8	3.5	72-1-4137	alu 6060 T5	black anodised	10g
30	35	3	8	3.5	72-1-4160	alu 6060 T5	clear anodised	10g



Large friction hinge - adjustable

Large size friction hinge to maintain a panel in position.
The friction torque is adjustable with a hex key.
Available with a choice of studs or holes.
A full product data sheet is available on our website.

A	B	C	D	note	part number	material	finish	weight
65	55	4.5	13	fixing with M6 screw	72-1-4145	alu 6060 T5	clear anodised	66g
65	55	4.5	13	fixing with M6 screw	72-1-4146	alu 6060 T5	black anodised	66g
65	55	4.5	13	fixing with M6 studs	72-1-4147	alu 6060 T5	clear anodised	78g
65	55	4.5	13	fixing with M6 studs	72-1-4148	alu 6060 T5	black anodised	78g



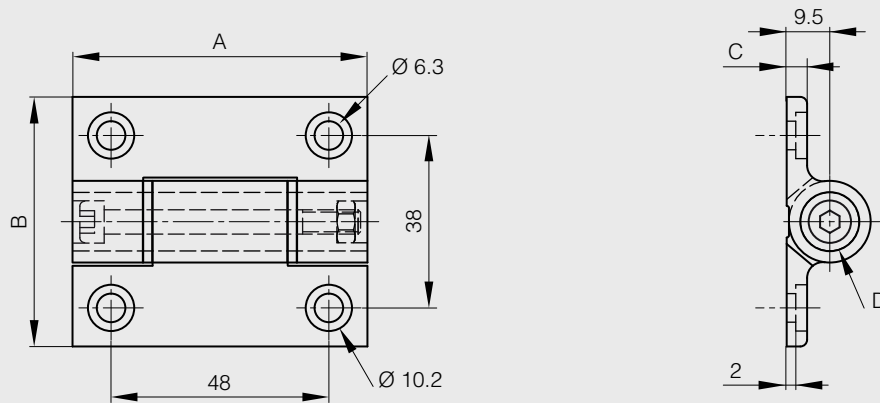


Hinges / Hinges with dual function

Hi-Klik™ detent hinge

Indented every 30°. 3 torque values.
Torque is preset.
A full product data sheet is available on our website.

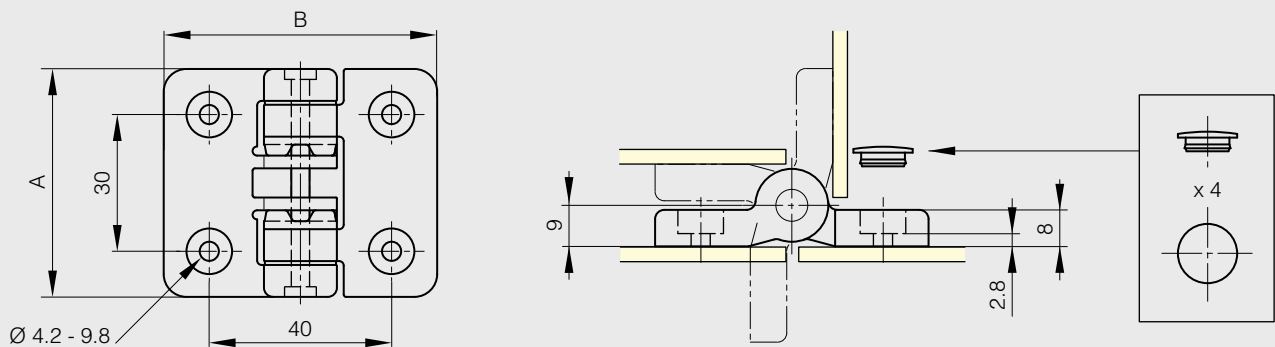
A	B	C	D	torque	part number	material	finish	weight
67	55	4.5	13	1.8 N.m	72-1-4197	alu 6060 T5	black anodised	106g
67	55	4.5	13	2.5 N.m	72-1-4198	alu 6060 T5	black anodised	106g
67	55	4.5	13	3.2 N.m	72-1-4225	alu 6060 T5	black anodised	106g



Detent plastic hinge

Holds door leaves in 4 different positions (90° each).
Maximum door weight : 1.2kg/pair.
303 stainless steel pin.
A full product data sheet is available on our website.

A	B	part number	material	finish	weight
50	60	54-7-3509	polyacetal	ivory	30g
50	60	54-7-3510	polyacetal	black	30g

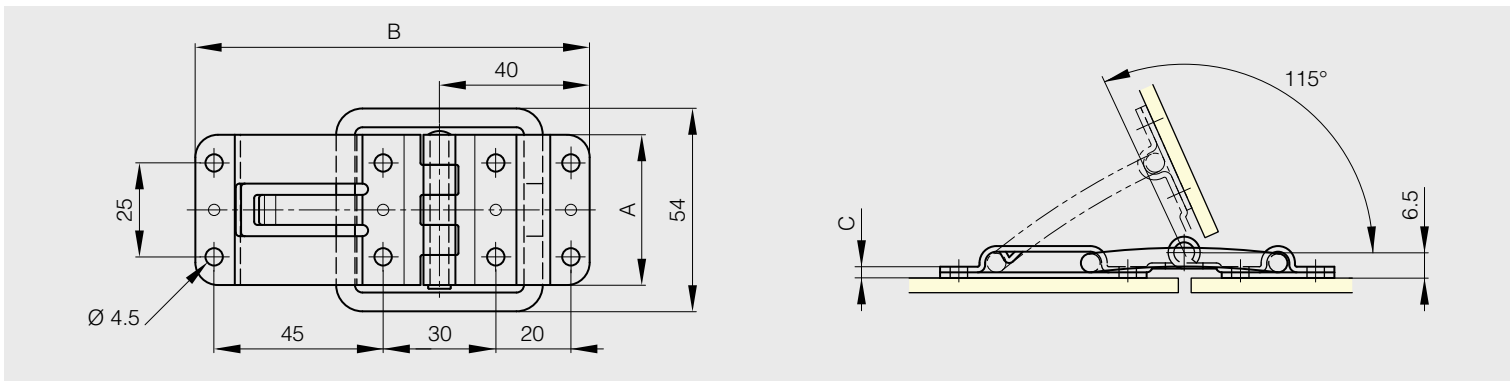




Hinges / Hinges with dual function

Hinge with stop at 115°

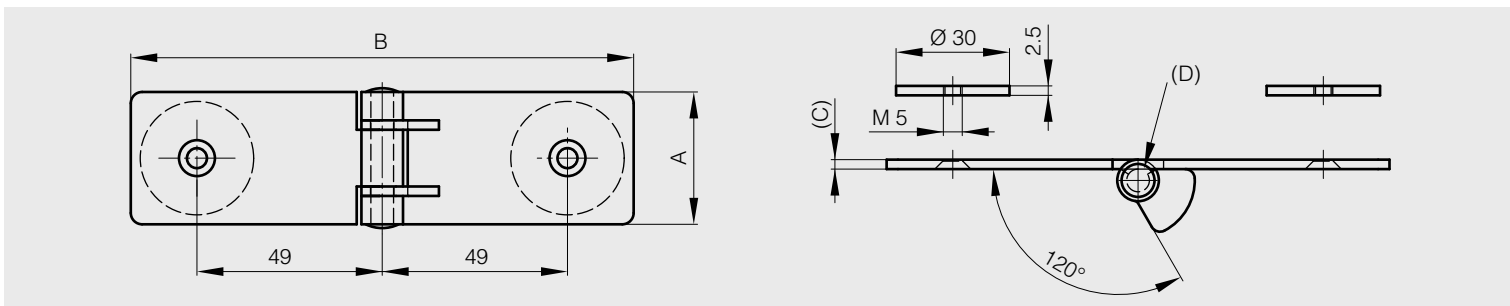
A	B	C	part number	material	finish	weight
40	105	3	52-7-3960	304 stainless steel	polished	122g



Hinge with stop at 60°

Suitable for mounting on glass doors

A	B	C	D	part number	material	finish	weight
35	133	2.5	6	52-1-3840	304 stainless steel	gloss	140g





Hinge with stop at 90°

Die-cast steel hinge with removable brass pin

Stop at 90°

The same hinge is available without stop (part number 72-1-3502)



A	C	D	part number	material	finish	weight
60	5	6	72-1-0204	304 stainless steel	harshed	350g

