



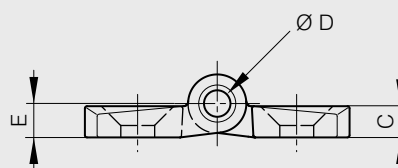
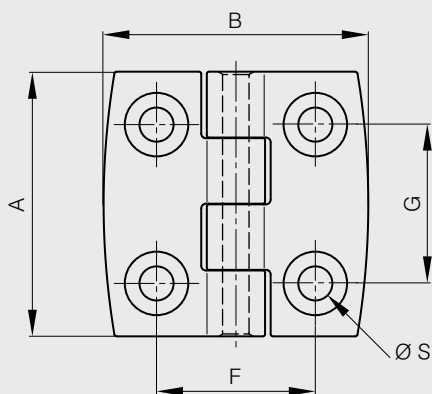
Hinges / Designed hinges in polyamide

Square design hinges with countersunk holes

new!

Hinges are made of 30% GF polyamide, pins are in 304 stainless steel.

| A | B | C | D | E | F | G | S | part number | material | finish | weight |
|----|----|-----|---|-----|----|----|-----|-------------|-----------|--------|--------|
| 30 | 30 | 3 | 3 | 3.5 | 18 | 18 | 3.2 | 54-1-3513 | polyamide | black | 6g |
| 40 | 40 | 5.2 | 4 | 5.7 | 25 | 25 | 5.3 | 54-1-3514 | polyamide | black | 12g |
| 50 | 50 | 5.9 | 5 | 6.4 | 30 | 30 | 6.4 | 54-1-3516 | polyamide | black | 22g |
| 60 | 60 | 6.5 | 6 | 7 | 36 | 36 | 6.4 | 54-1-3518 | polyamide | black | 32g |

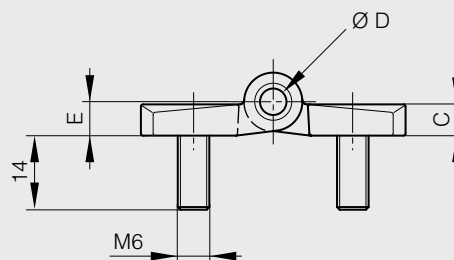
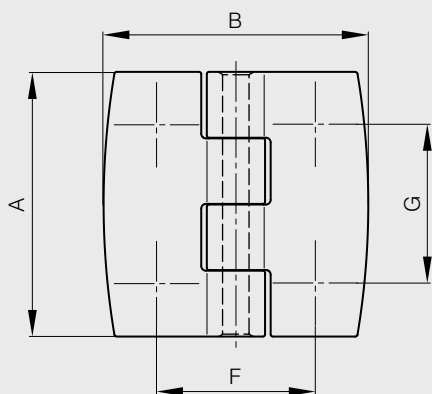


Square design hinges with studs

new!

Hinges are made of 30% GF polyamide, pins are in 304 stainless steel.

| A | B | C | D | E | F | G | part number | material | finish | weight |
|----|----|-----|---|---|----|----|-------------|-----------|--------|--------|
| 60 | 60 | 6.5 | 6 | 7 | 36 | 36 | 54-1-3519 | polyamide | black | 54g |





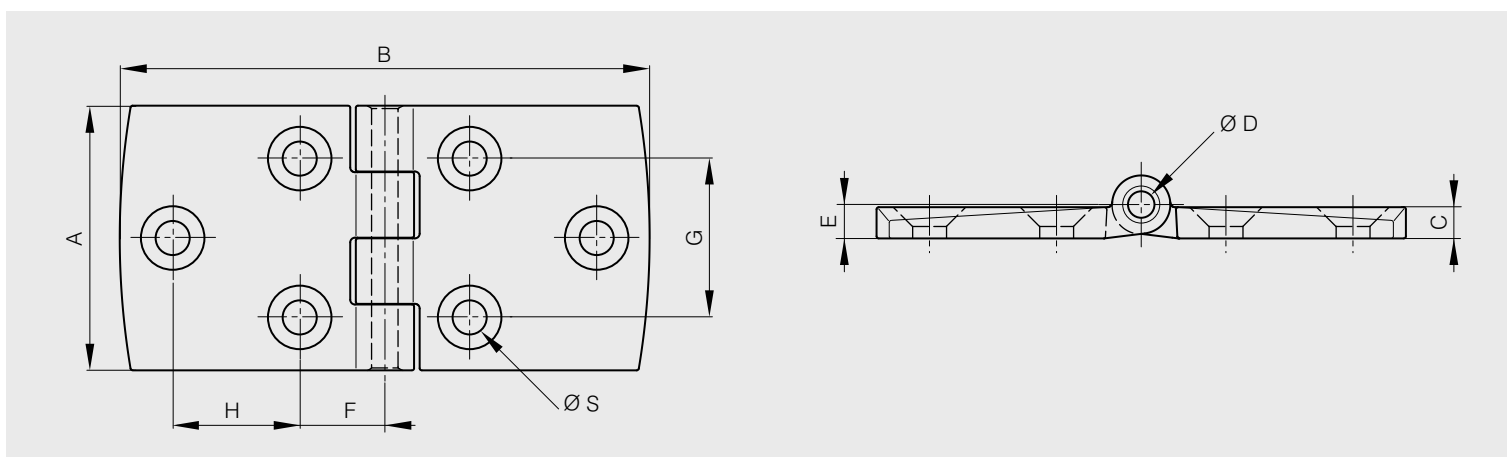
Hinges / Designed hinges in polyamide

Symmetrical design hinges

new!

Hinges are made of 30% GF polyamide, pins are in 304 stainless steel.

| A | B | C | D | E | F | G | H | S | part number | material | finish | weight |
|----|-----|-----|---|-----|------|----|----|-----|-------------|-----------|--------|--------|
| 40 | 80 | 5.2 | 4 | 5.7 | 13.5 | 25 | 19 | 5.3 | 54-1-3520 | polyamide | black | 20g |
| 40 | 120 | 5.2 | 4 | 5.7 | 14.5 | 25 | 38 | 5.3 | 54-1-3522 | polyamide | black | 28g |
| 50 | 100 | 5.9 | 5 | 6.4 | 16 | 30 | 24 | 6.4 | 54-1-3540 | polyamide | black | 34g |
| 60 | 120 | 6.5 | 6 | 7 | 18 | 36 | 30 | 6.4 | 54-1-3524 | polyamide | black | 34g |



Asymmetrical design hinges

new!

Hinges are made of 30% GF polyamide, pins are in 304 stainless steel.

| A | B | C | D | E | F | G | H | S | part number | material | finish | weight |
|----|----|-----|---|-----|----|----|----|-----|-------------|-----------|--------|--------|
| 40 | 60 | 5.2 | 4 | 5.7 | 13 | 25 | 19 | 5.3 | 54-1-3528 | polyamide | black | 16g |
| 40 | 80 | 5.2 | 4 | 5.7 | 27 | 25 | 38 | 5.3 | 54-1-3536 | polyamide | black | 18g |
| 50 | 75 | 5.9 | 5 | 6.4 | 31 | 30 | 24 | 6.4 | 54-1-3538 | polyamide | black | 28g |
| 60 | 90 | 6.5 | 6 | 7 | 36 | 36 | 30 | 6.4 | 54-1-3532 | polyamide | black | 40g |

