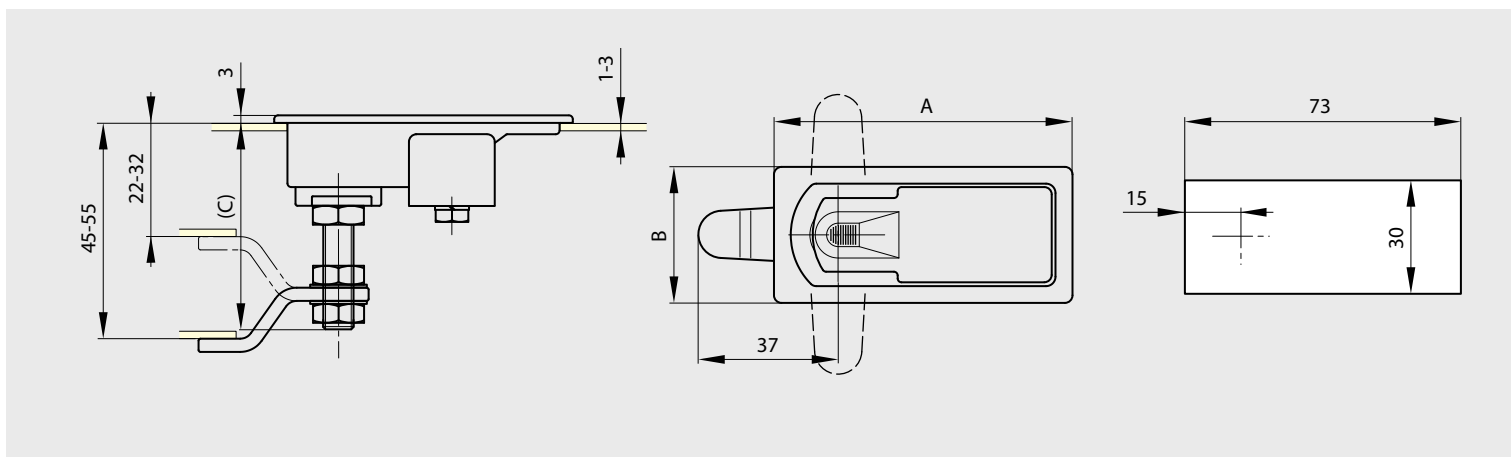
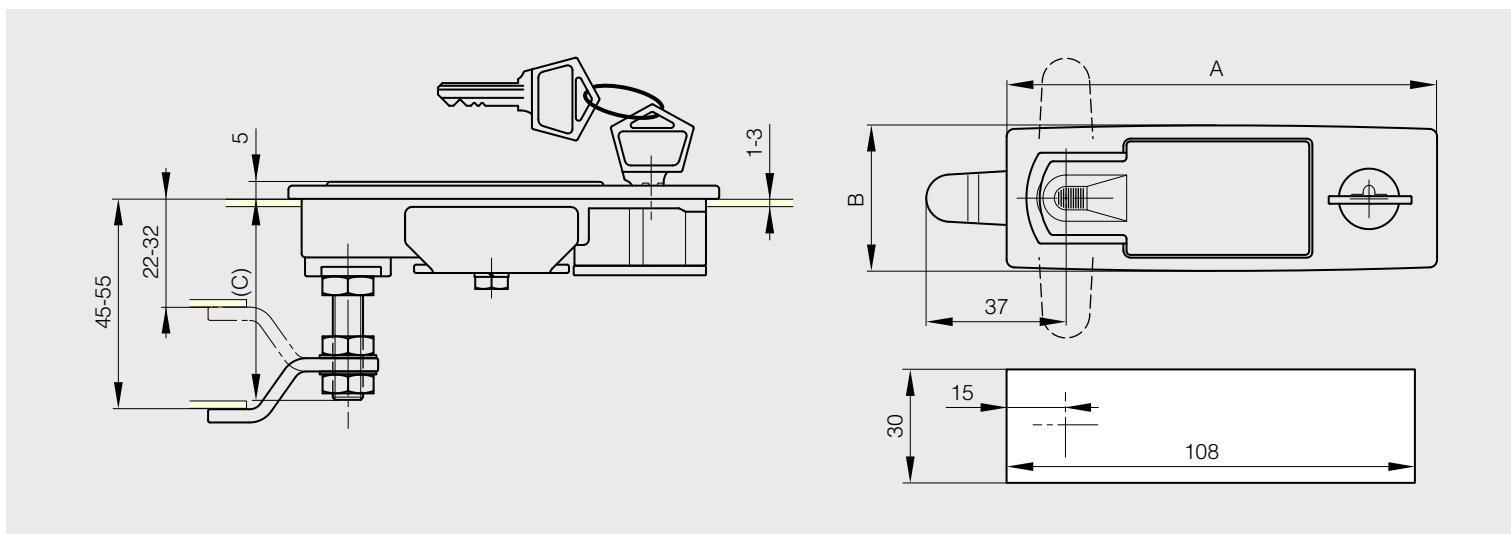


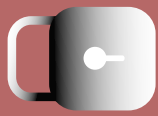


Compression latch - Lift and turn

A full product data sheet is available on our website.

| A | B | C | note | part number | material | finish | weight |
|-----|------|----|-------------|------------------|---------------|--------|--------|
| 79 | 36 | 52 | without key | 16-1-4112 | zinc die-cast | black | 204g |
| 114 | 38.5 | 52 | with key | 16-1-4113 | zinc die-cast | black | 204g |

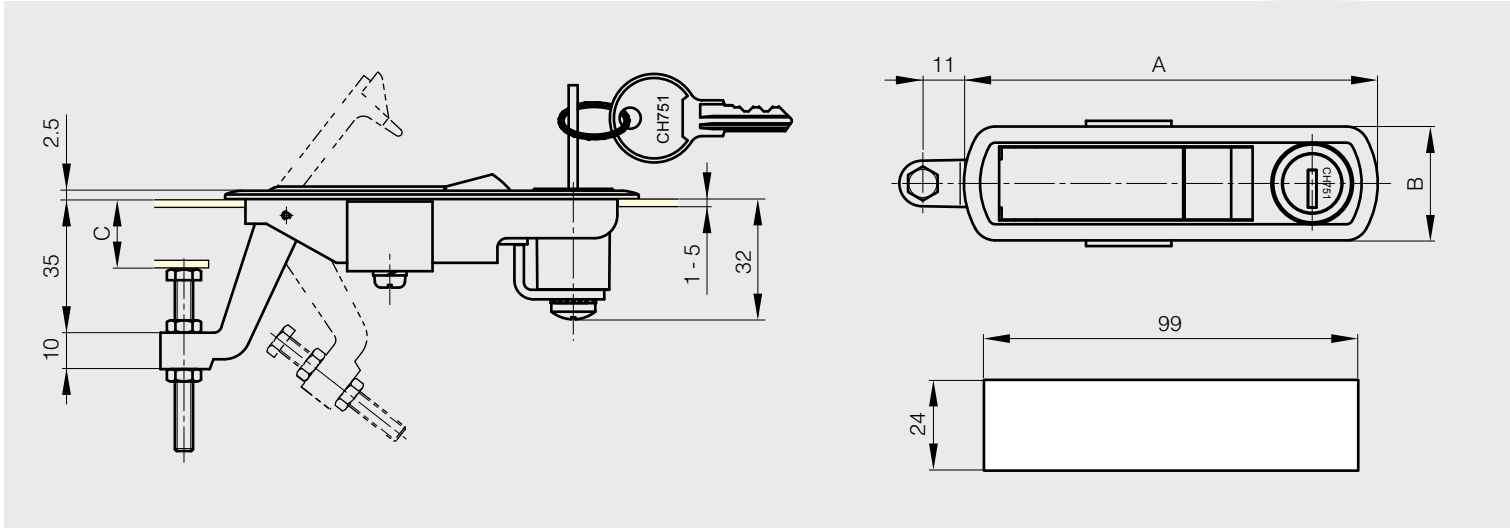




Compression latch

Lockable or non lockable parts have the same dimensions and the cut-out is the same for both. A full product data sheet is available on our website.

| A | B | C | note | part number | material | finish | weight |
|-----|----|-------|-------------|------------------|---------------|--------|--------|
| 109 | 31 | 1-15 | with key | 16-7-4053 | zinc die-cast | black | 240g |
| 109 | 31 | 15-25 | with key | 16-7-4054 | zinc die-cast | black | 240g |
| 109 | 31 | 1-15 | without key | 16-7-4055 | zinc die-cast | black | 200g |
| 109 | 31 | 15-25 | without key | 16-7-4056 | zinc die-cast | black | 200g |



Vector T-handle - rivet mounted

IP 65 rated.

Handle rotation 90° right, 90° left.

Material: Body: Glass fiber reinforced polyamide (PA6)

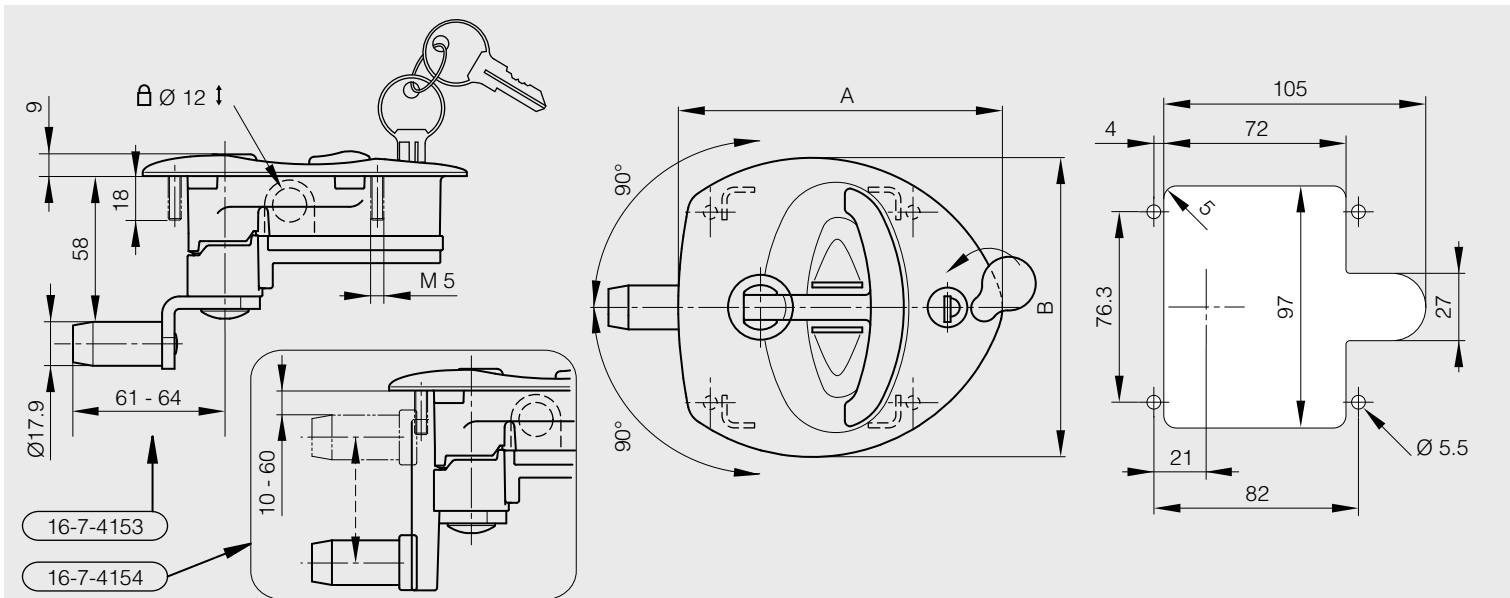
Handle: zinc die-cast black powder coated / Shaft: zinc plated steel

Cam: zinc die-cast or zinc plated steel/ Roller: Glass fiber reinforced polyamide (PA6)

Other key numbers and cams are available on request

A full product data sheet is available on our website.

| A | B | note | part number | material | finish | weight |
|-----|-----|---------------------------------|------------------|-----------------------|--------|--------|
| 131 | 120 | 1 point cam (H58) | 16-7-4153 | zinc die-cast and PA6 | black | 450g |
| 131 | 120 | adjustable 1 point cam (H10-60) | 16-7-4154 | zinc die-cast and PA6 | black | 490g |





Vector T-handle - screw mounted

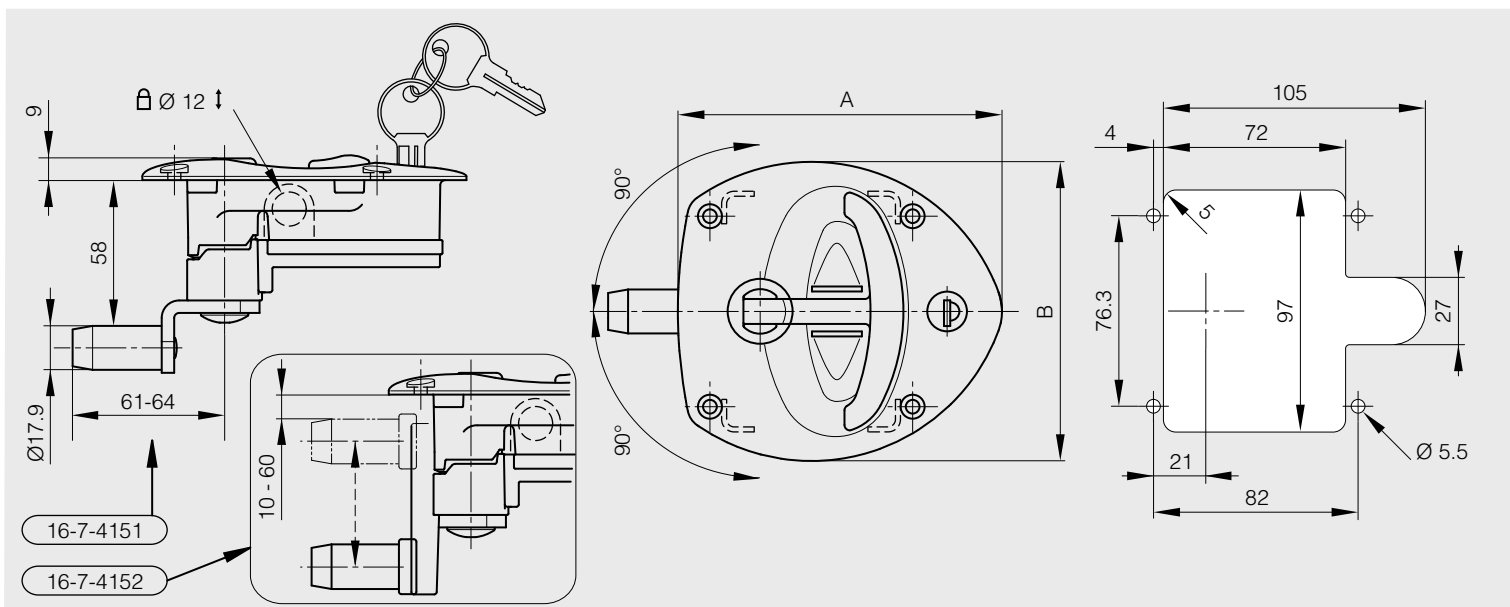
Handle rotation 90° right, 90° left.
Outline flat gasket reference 27-7-3912

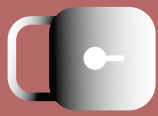
Material: Body : Glass fiber reinforced polyamide (PA6)
Handle: zinc die-cast black powder coated
Shaft: zinc plated steel
Cam: zinc die-cast or zinc plated steel
Roller: Glass fiber reinforced polyamide (PA6)

Other key numbers and cams are available on request
A full product data sheet is available on our website.



| A | B | note | part number | material | finish | weight |
|-----|-----|---------------------------------|-------------|-----------------------|--------|--------|
| 131 | 120 | 1 point cam (H58) | 16-7-4151 | zinc die-cast and PA6 | black | 410g |
| 131 | 120 | adjustable 1 point cam (H10-60) | 16-7-4152 | zinc die-cast and PA6 | black | 460g |





The Klimaflex range is a modular system for HVAC applications. It is designed for quick and easy mounting.

The following parts are necessary for each Klimaflex latch:

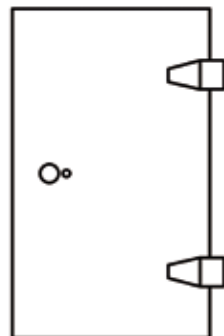
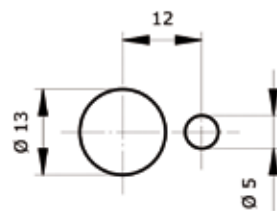
1. one exterior handle
2. one latching unit
3. one cam
4. one interior handle (optional)



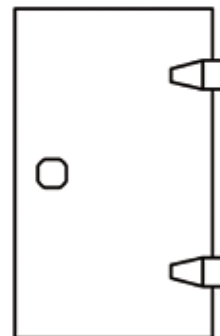
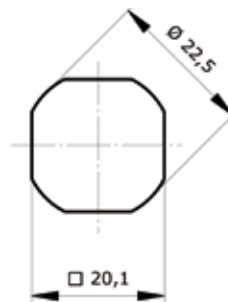
Cut-outs for the latching unit

Two different cut-out versions, K-Flex or Combi.
Cut-out versions are mentioned for each latching unit in the catalogue.

K-Flex Type



Combi Type





Exterior handles - Klimaflex range

All handles can fit on any latching unit.

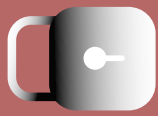
| note | part number | material |
|---|-------------|----------|
| simple handle | 16-7-4064 | black PA |
| handle with key lock 1333 | 16-7-4065 | black PA |
| handle with roller H 30,5 | 16-7-4067 | black PA |
| lockable handle | 16-7-4076 | black PA |
| handle with roller H 7,5 | 16-7-4096 | black PA |
| handle with roller H 14,5 | 16-7-4097 | black PA |
| simple cap if an exterior handle is not needed | 16-7-4116 | black PA |
| cap with slot if an exterior handle is not needed | 16-7-4117 | black PA |
| handle with square 8 | 16-7-4118 | black PA |
| handle with triangle 7 | 16-7-4119 | black PA |
| handle with hexagon 8 | 16-7-4120 | black PA |



Interior handles - Klimaflex range

| part number | material | finish |
|-------------|-----------------------|--------|
| 16-7-4066 | zinc plated steel, PA | red |
| 16-7-4114 | zinc plated steel, PA | red |
| 16-7-4115 | zinc plated steel, PA | black |
| 16-7-4121 | zinc plated steel, PA | black |





Latching units - Klimaflex range

Latching units are fixed on 2 different cut-out versions : K-FLEX or COMBI.
Depending on the application, latching units can be fitted with alternative handles and cams.
Latching units can be fitted on various door thicknesses ranging from 25 to 100mm,
depending on the type of latching unit.

| cut-out | door thickness | note | part number | material | weight |
|---------|----------------|---|------------------|--------------------------------|--------|
| K-Flex | 50mm | This latching unit can be mounted with all accessories (cam, inside handles, rod guides) | 16-7-4068 | black PA, steel, zinc die-cast | 110g |
| Combi | 50mm | This latching unit can be mounted with all accessories (cam, interior handle or rod guides) | 16-7-4069 | black PA, steel, zinc die-cast | 110g |
| Combi | 50mm | This latching unit can be mounted with cam only (roller or flat cam) | 16-7-4094 | black PA, steel, zinc die-cast | 110g |
| K-Flex | 25mm | This latching unit can be mounted with cam only (roller or flat cam) | 16-7-4098 | black PA, steel, zinc die-cast | 110g |
| K-Flex | 25mm | This latching unit can be mounted with all accessories (cam, interior handle or rod guides) | 16-7-4099 | black PA, steel, zinc die-cast | 110g |
| K-Flex | 50mm | This latching unit can be mounted with all accessories (cam, interior handle or rod guides) | 16-7-4100 | black PA, steel, zinc die-cast | 110g |
| K-Flex | 65mm | This latching unit can be mounted with all accessories (cam, interior handle or rod guides) | 16-7-4101 | black PA, steel, zinc die-cast | 110g |
| K-Flex | 100mm | This latching unit can be mounted with all accessories (cam, interior handle or rod guides) | 16-7-4102 | black PA, steel, zinc die-cast | 110g |
| Combi | 25mm | This latching unit can be mounted with all accessories (cam, interior handle or rod guides) | 16-7-4103 | black PA, steel, zinc die-cast | 110g |
| K-Flex | 50mm | This latching unit can be mounted: cam only, cam + interior handle or cam + rod link | 16-7-4104 | black PA, steel, zinc die-cast | 110g |



16-7-4068



16-7-4069



16-7-4103



16-7-4099



Cams - Klimaflex range

Various cams are available. For cams not listed in this catalogue (hook cam, 3 points cam, etc.) : please ask for details

| note | part number | material |
|---------------|------------------|-----------------------------|
| Roller cam H7 | 16-7-4070 | zinc die-cast, black PA |
| Roller cam | 16-7-4091 | zinc plated steel, black PA |
| Roller cam | 16-7-4092 | zinc plated steel, black PA |
| Roller cam H7 | 16-7-4122 | zinc die-cast, black PA |



16-7-4070



16-7-4091



16-7-4092

Rod links - Klimaflex range

| note | part number | material |
|----------------------------------|------------------|----------------------------------|
| 8mm diameter round rod connector | 16-7-4089 | zinc plated steel, zinc die-cast |



Spacer nuts - Klimaflex range

| note | part number | material |
|--|------------------|----------|
| M22 x 1.5 x 50mm long / for COMBI cut-out and door thickness of 50mm | 16-7-4109 | steel |
| M22 x 1.5 x 25mm long / for COMBI cut-out and door thickness of 25mm | 16-7-4110 | steel |

