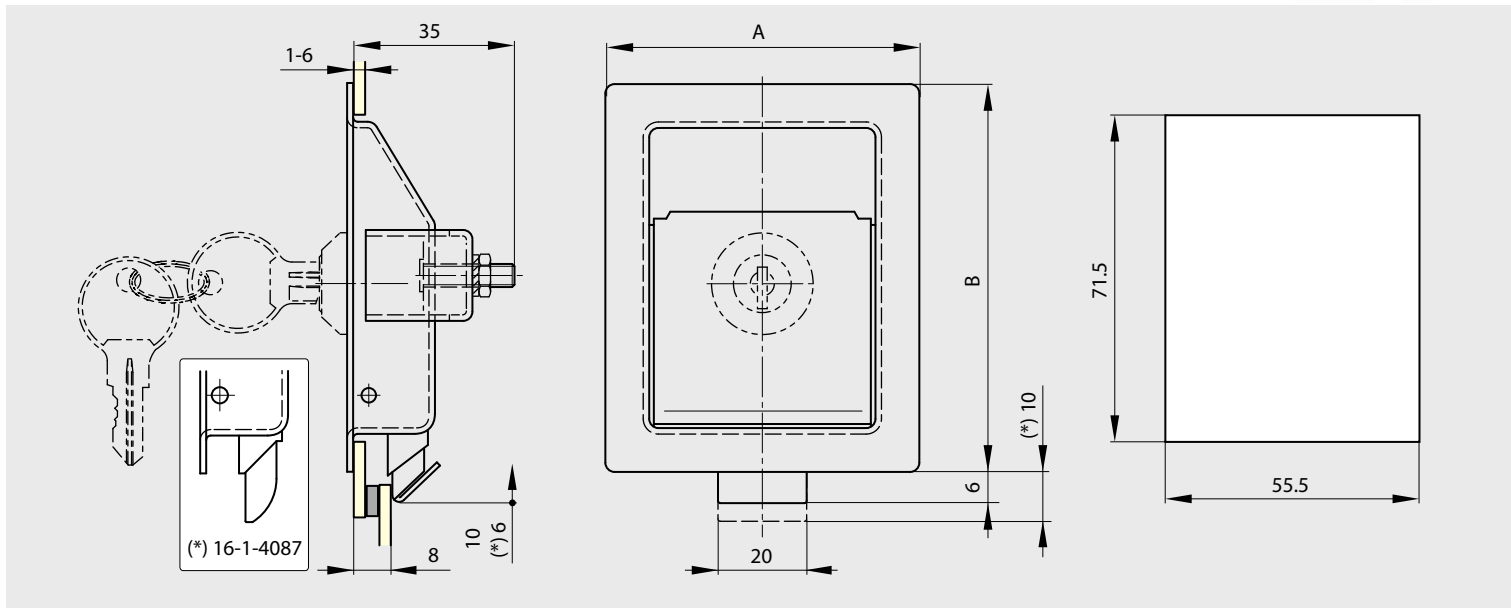


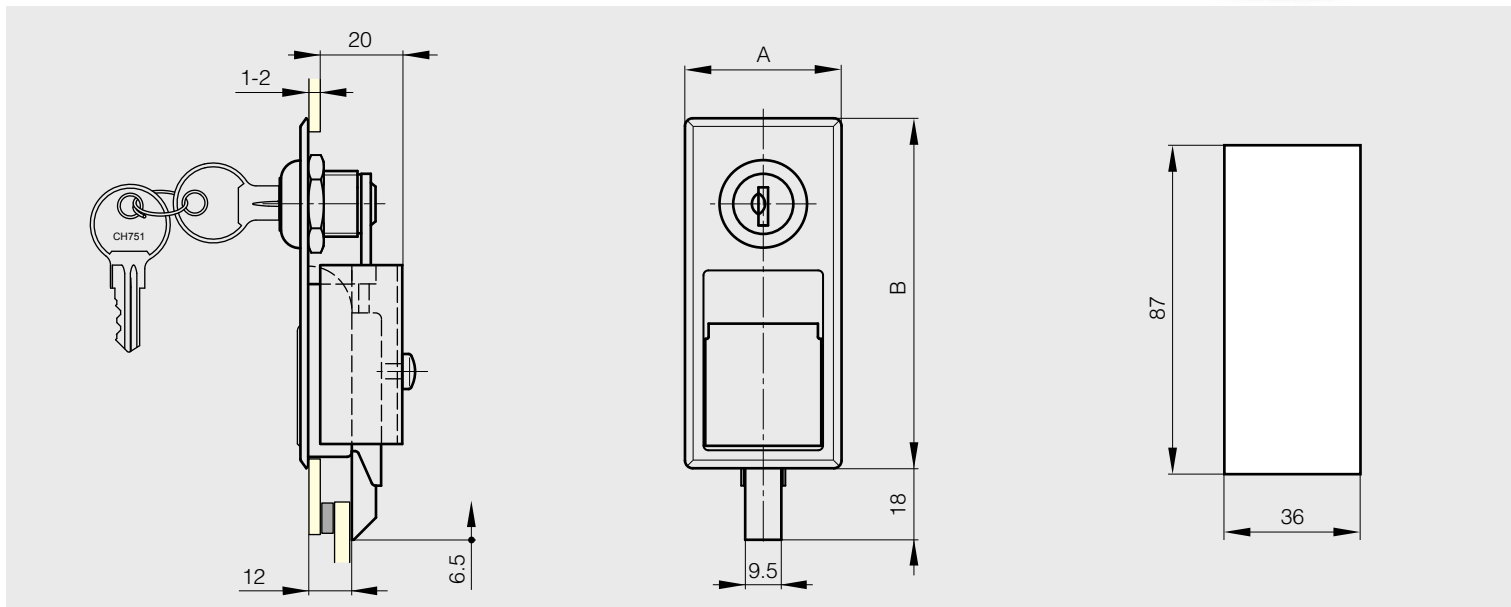
Latching systems / Slam latches

Paddle latches

A	B	note	part number	material	finish	weight
68.5	84	with key	16-1-4087	steel	chrome plated	184g
68.5	84	with key	16-1-4106	steel	zinc plated	184g
68.5	84	with key	16-1-4108	304 stainless steel	raw	184g
68.5	84	without key	16-1-4105	steel	zinc plated	184g
68.5	84	without key	16-1-4217	steel	black	184g
68.5	84	without key	16-1-4107	304 stainless steel	raw	184g



A	B	note	part number	material	finish	weight
41	92	with key	16-1-4088	304 stainless steel	brushed	162g



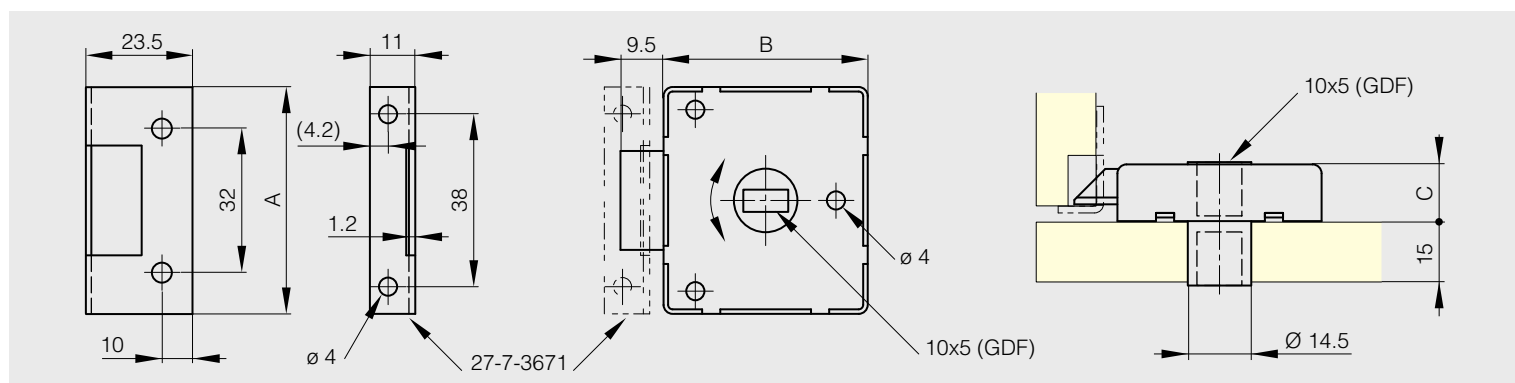


Slam latch with strike

Non handed fitting

Latch: 16-7-3698, strike: 27-7-3671

A	B	C	note	part number	material	finish	weight
50	45	12.5	Budget latch	16-7-3698	steel	zinc plated	118g
50			Strike	27-7-3671	steel	zinc plated	11g



Hooked cam

Hooked cam can be fitted to any standard quarter turn.

A full product data sheet is available on our website.

note	part number	material	finish	weight
right	16-7-4061	zinc die-cast	zinc plated	40g
left	16-7-4062	zinc die-cast	zinc plated	40g

