

Clip-on quarter turn with wing head

new!

This part number includes a body and clip.

3 cam heights available.

Straight cam for heights H=18 and H=25 (as shown on the drawing).

Cranked cam for height H=13.5

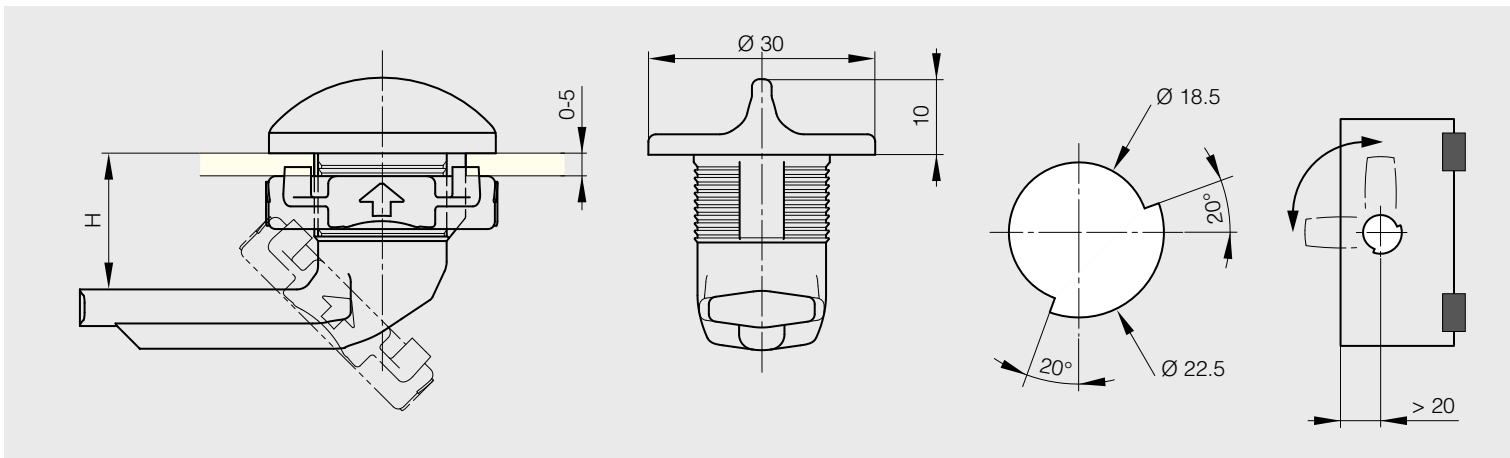
This quarter turn can be mounted on door thicknesses up to 6mm.

Clip can be ordered separately with part number 16-1-8007 (dimension 36x30mm).

Patent pending.



H	part number	material	finish	weight
13.5	16-1-8001	polyamide	black	14g
18	16-1-8003	polyamide	black	14g
25	16-1-8005	polyamide	black	14g



Clip-on quarter turn with slotted shape

new!

This part number includes a body and clip.

3 cam heights available.

Straight cam for heights H=18 and H=25.

Cranked cam for height H=13.5 (as shown below).

This quarter turn can be mounted on door thicknesses up to 6mm.

Clip can be ordered separately with part number 16-1-8007 (dimension 36x30mm).

Patent pending.



H	part number	material	finish	weight
13.5	16-1-8002	polyamide	black	14g
18	16-1-8004	polyamide	black	14g
25	16-1-8006	polyamide	black	14g

