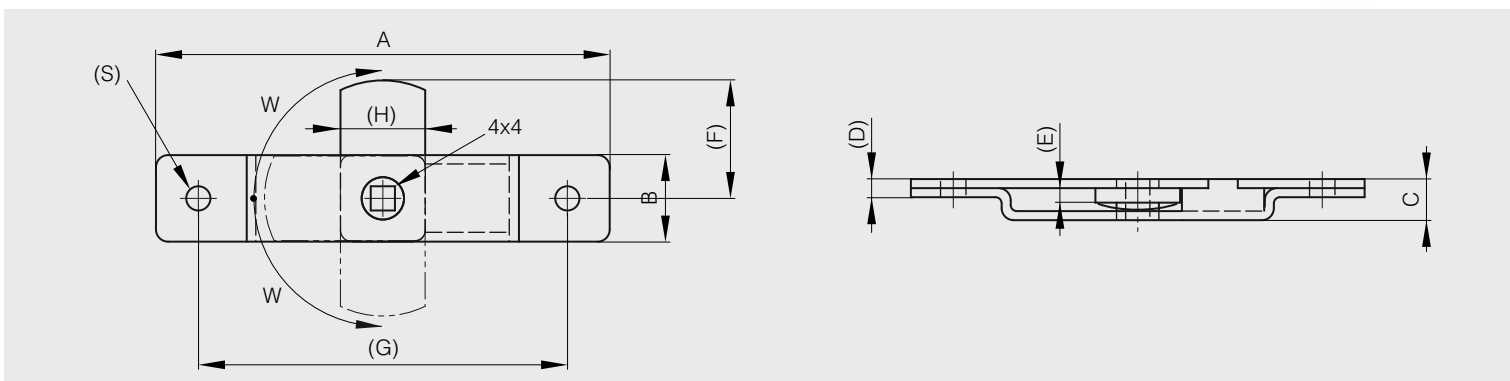




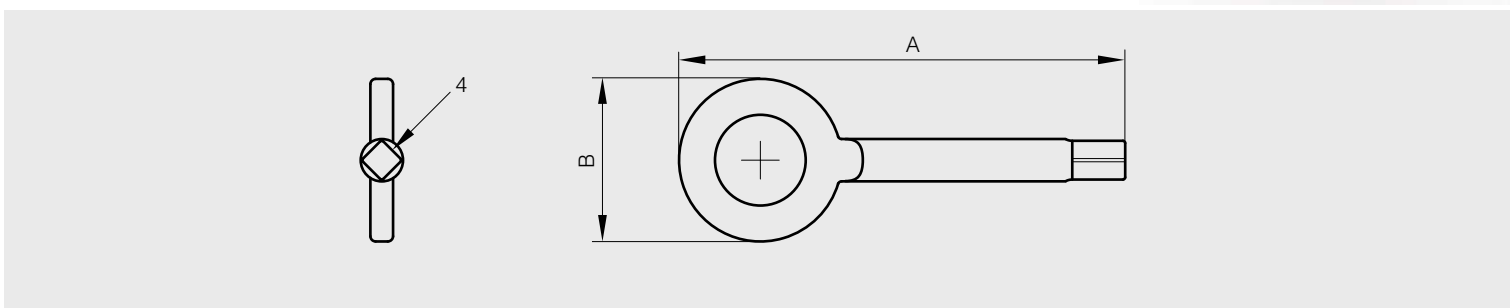
Budget latches

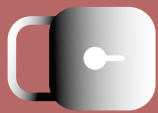
A	B	C	D	E	F	G	H	S	W	part number	material	finish	weight
75	14	7	3	2.5	20	61	14	3.6	90°	16-7-3288	steel	zinc plated	32.5g
85	16	8	3	3	23	66	16	3.6	90°	16-7-3289	steel	zinc plated	45g



Key for part numbers 16-7-3288 and 16-7-3289

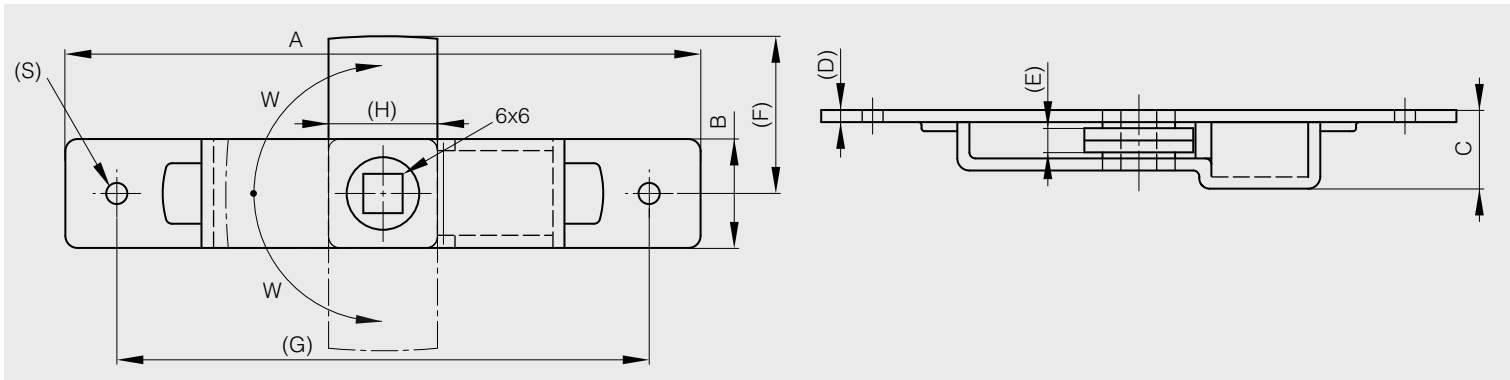
A	B	part number	material	finish	weight
59	21.5	16-7-3313	steel	zinc plated	13g





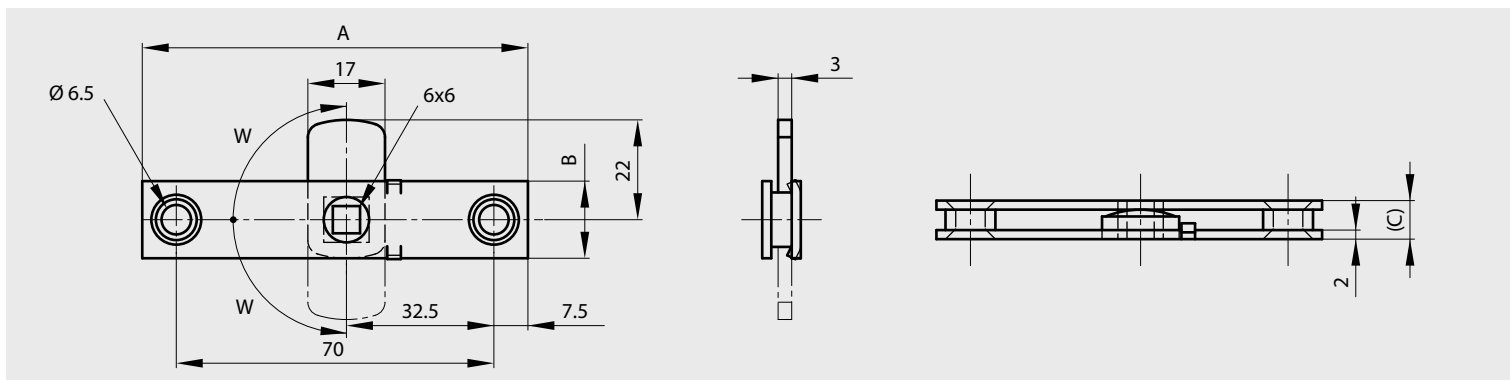
Budget latches

A	B	C	D	E	F	G	H	S	W	part number	material	finish	weight
105	18	10.5	2	4	25.5	87	18	3.8	90°	16-7-3290	steel	zinc plated	58.5g
105	20	10.5	2	4	25.5	86	18	3.8	90°	16-7-3291	steel	zinc plated	63g
115	22	11	2	6	26	97	22	5.1	90°	16-7-3292	steel	zinc plated	97g



Not handed

A	B	C	W	part number	material	finish	weight
85	17	8.5	90°	16-1-3972	304 stainless steel	raw	56g

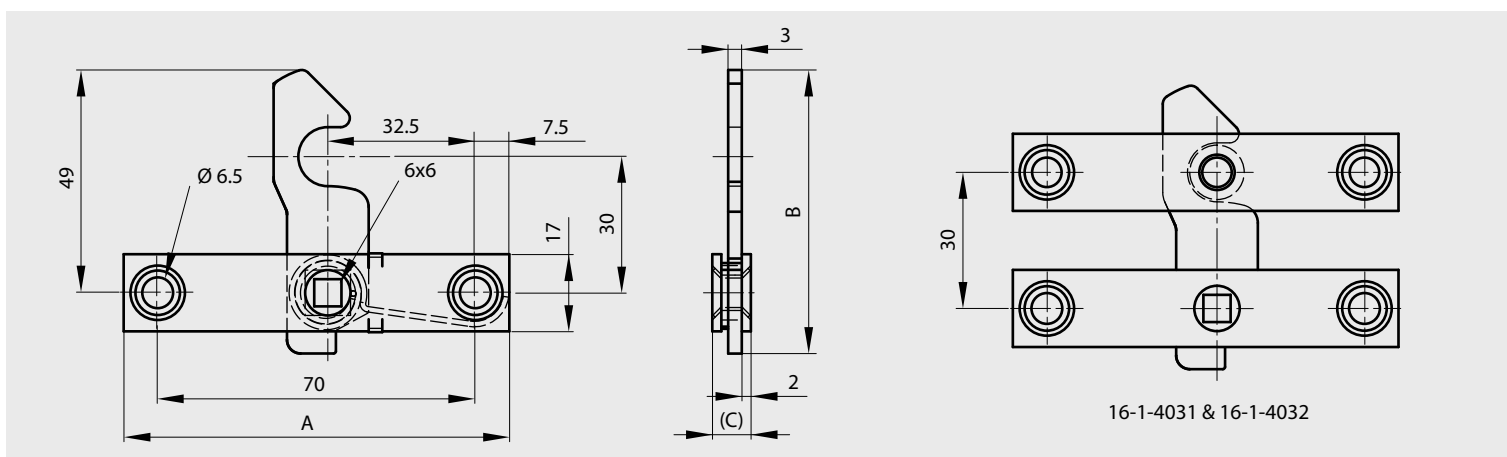




Spring budget latch

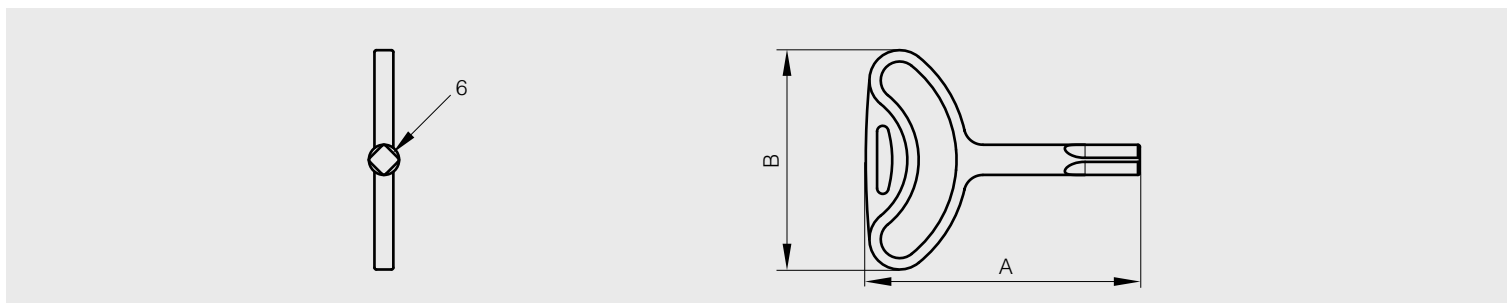
Not handed

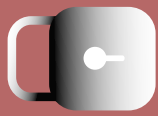
A	B	C	note	part number	material	finish	weight
85	53.4	8.5	Budget latch (no strike)	16-1-4031	304 stainless steel	deburred	69g
85	17	8.5	Strike	16-1-4032	304 stainless steel	deburred	48g



Key for part numbers 16-7-3290, 16-7-3291, 16-7-3292, 16-1-3972 and 16-1-4031

A	B	part number	material	finish	weight
72.5	58	16-7-3314	zinc die-cast	zinc plated	32g

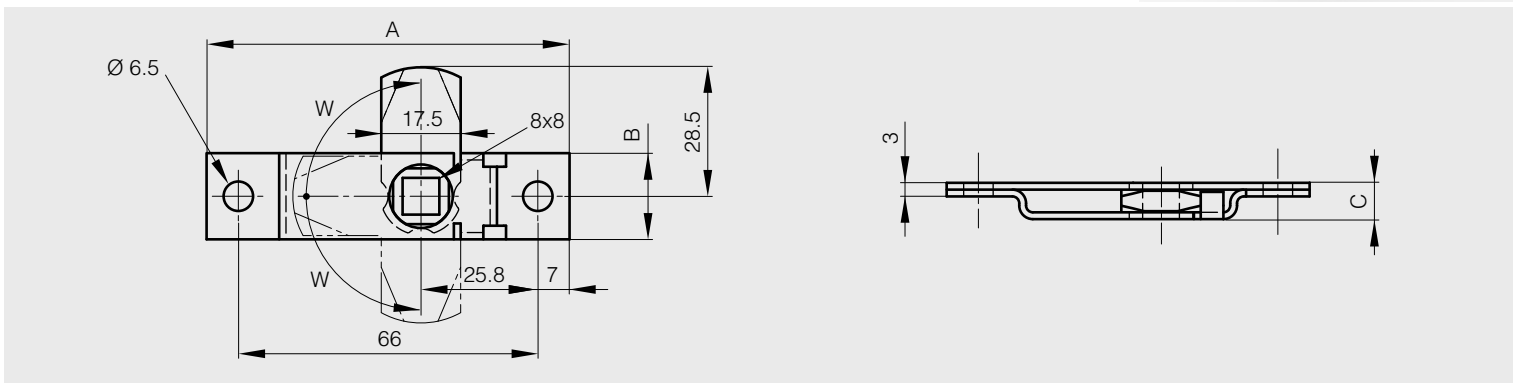




Budget latches

Not handed
3 indend positions

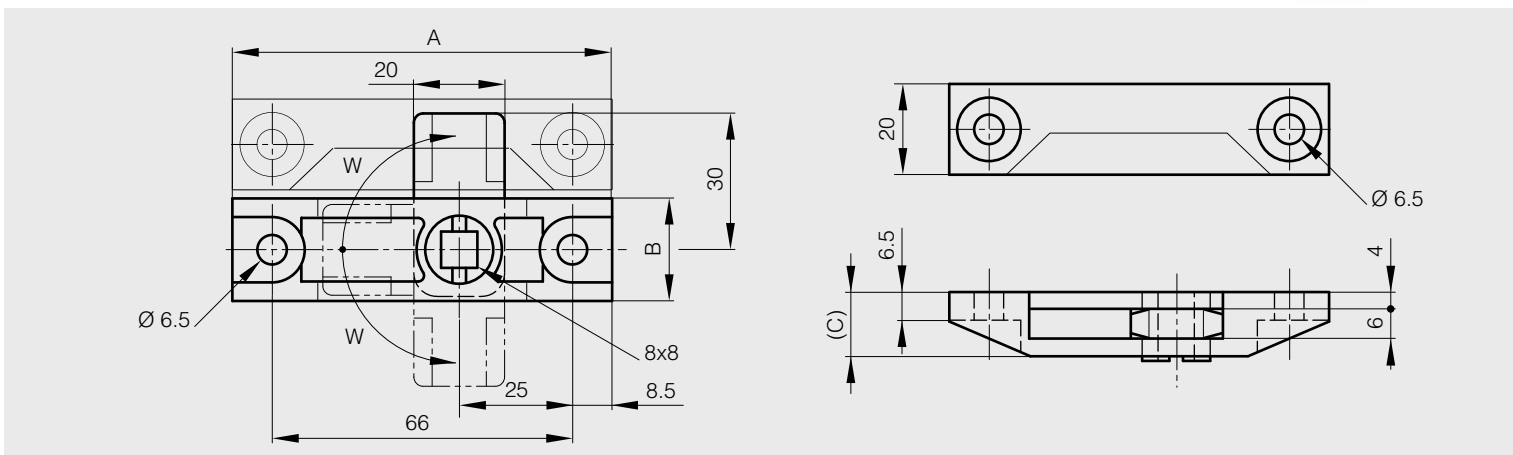
A	B	C	W	part number	material	finish	weight
80	19	8	90°	16-1-4085	steel	zinc plated	63g
80	19	8	90°	16-1-4086	304 stainless steel	raw	63g



Plastic budget latch with strike plate

Not handed

A	B	C	W	part number	material	finish	weight
83	22	14	90°	16-7-4012	polyamide	black	32g

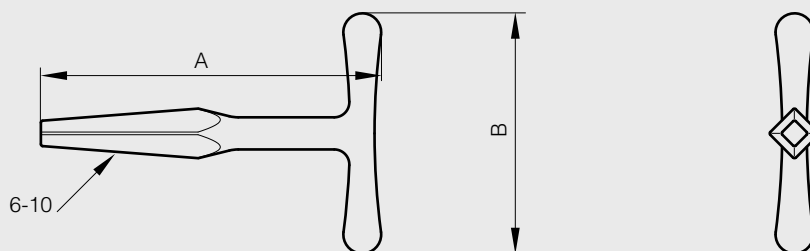




Key for part numbers 16-1-4085, 16-1-4086 and 16-7-4012

Can also be used with part numbers 16-7-3290, 16-7-3291 and 16-7-3292.

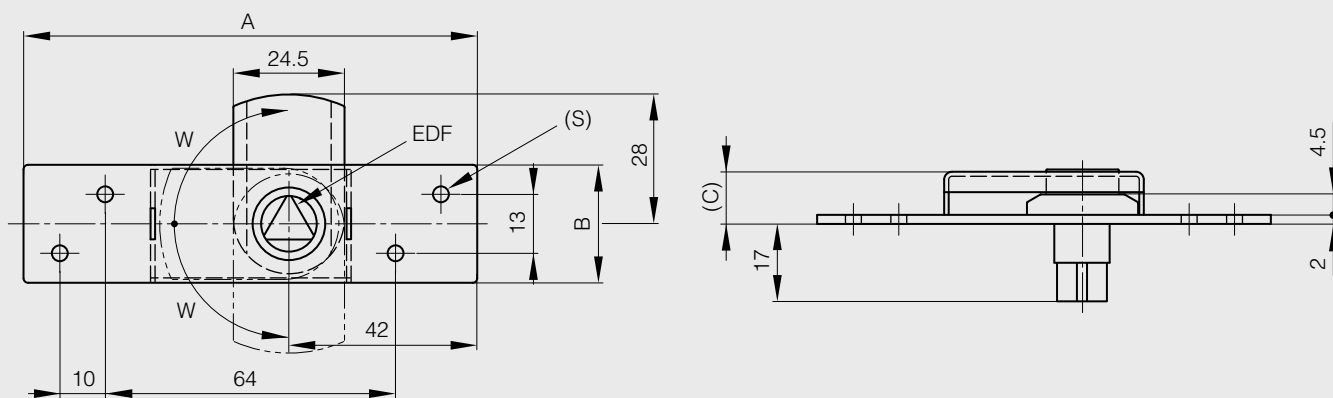
A	B	part number	material	weight
90	63.5	16-1-4083	cast iron	58g

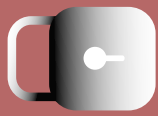


Special budget latch

Not handed

A	B	C	S	W	part number	material	finish	weight
100	26	9.5	3.5	90°	16-7-4203	steel	zinc plated	103g





Key for part number 16-7-4203

A	B	part number	material	finish	weight
76.3	58	16-7-3316	zinc die-cast	zinc plated	36g

