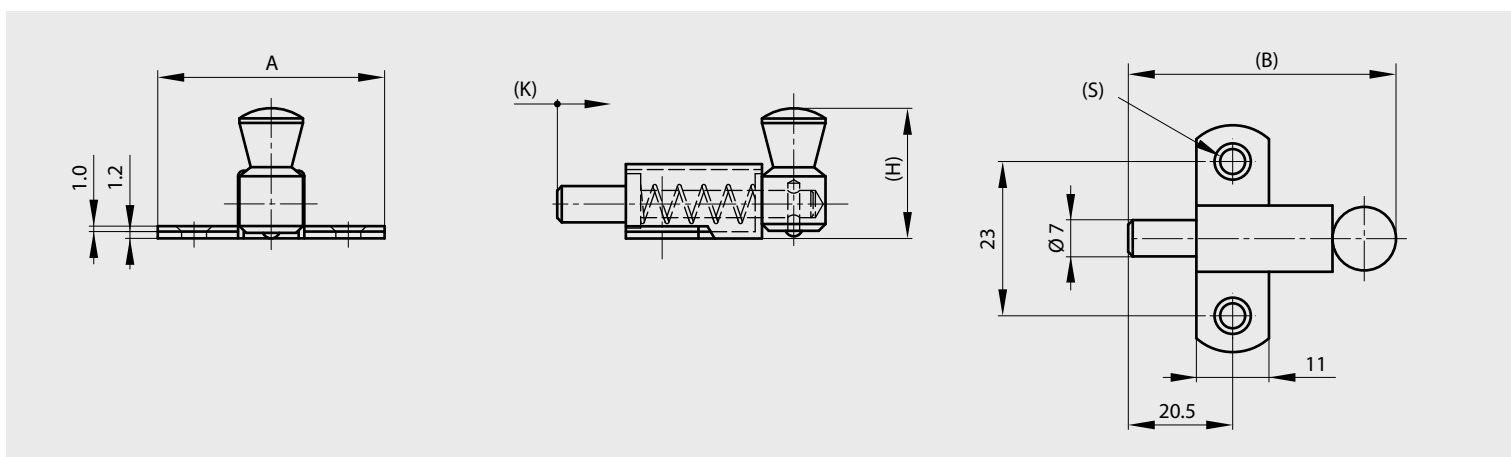




Springloaded latch with round bolt

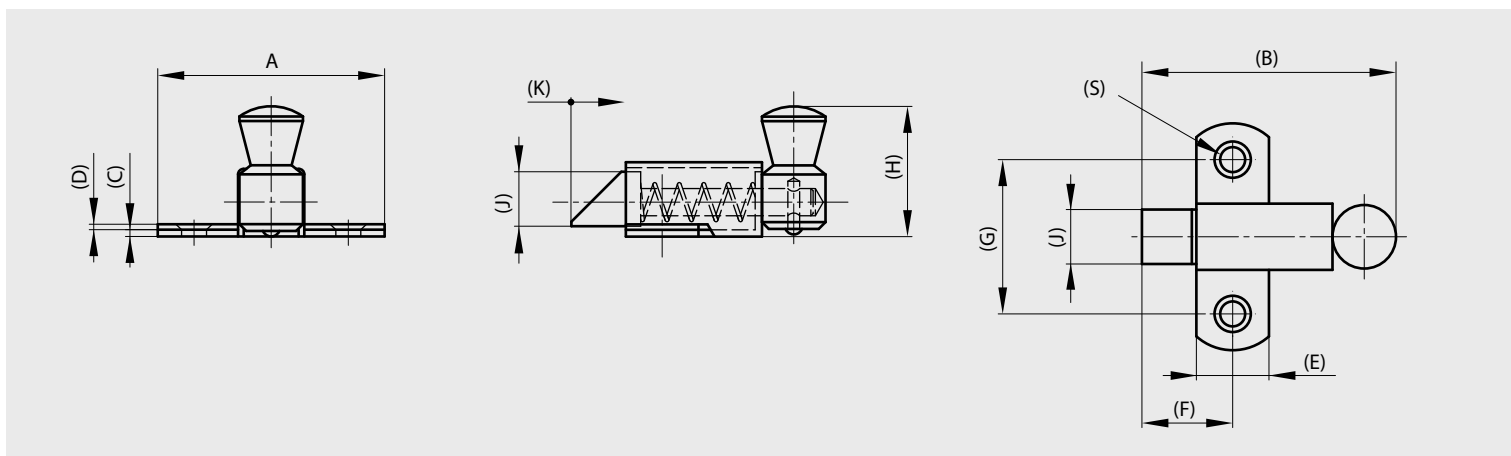
A	B	H	K	S	part number	material	finish	weight
35	43.5	19	10	3.5	16-1-3647	steel	zinc plated	21g

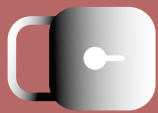


Springloaded latches

Slam latches.

A	B	C	D	E	F	G	H	J	K	S	part number	material	finish	weight
35	36.5	1.2	1	11	13.5	23	19	8	8	3.5	16-1-3430	steel	zinc plated	20g
35	36.5	1.2	1	11	13.5	23	19	8	8	3.5	16-1-3431	brass	chrome plated	24g
50	56	1.5	1.2	16	20	34	27	12	12	5.5	16-1-3433	steel	zinc plated	71g
50	56	1.5	1.2	16	20	34	27	12	12	5.5	16-1-3434	brass	chrome plated	75g
70	73	2.0	1.5	22	28	45	38	16	16	7	16-1-3436	steel	zinc plated	129g
70	73	2.0	1.5	22	28	45	38	16	16	7	16-1-3437	brass	chrome plated	163g

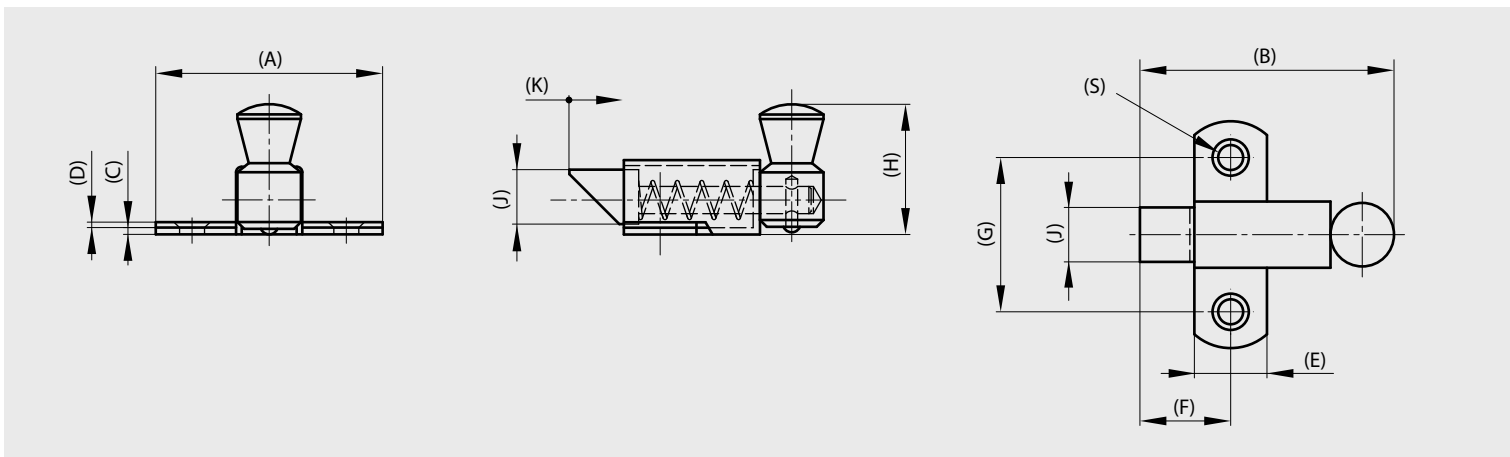




Springloaded latches

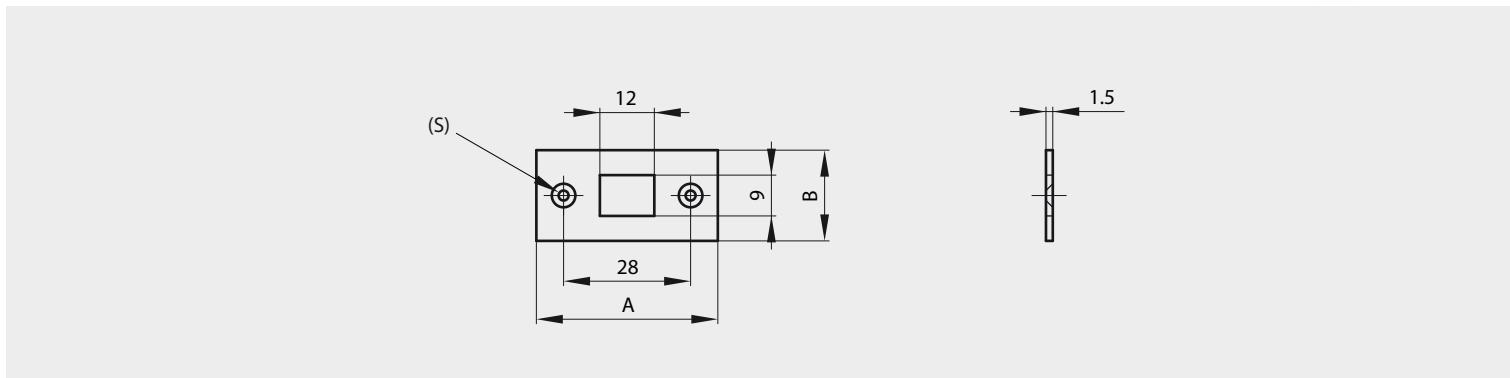
Slam latches.

A	B	C	D	E	F	G	H	J	K	S	part number	material	finish	weight
35	36.5	1.2	1	11	13.5	23	19	8	8	3.5	16-1-3625	steel	zinc plated	20g
35	36.5	1.2	1	11	13.5	23	19	8	8	3.5	16-1-3626	brass	chrome plated	24g
50	56	1.5	1.2	16	20	34	27	12	12	5.5	16-1-3628	steel	zinc plated	71g
50	56	1.5	1.2	16	20	34	27	12	12	5.5	16-1-3629	brass	chrome plated	75g
70	73	2	1.5	22	28	45	38	16	16	7	16-1-3631	steel	zinc plated	129g
70	73	2	1.5	22	28	45	38	16	16	7	16-1-3632	brass	chrome plated	163g



Flat strike for latches with dimension A = 35

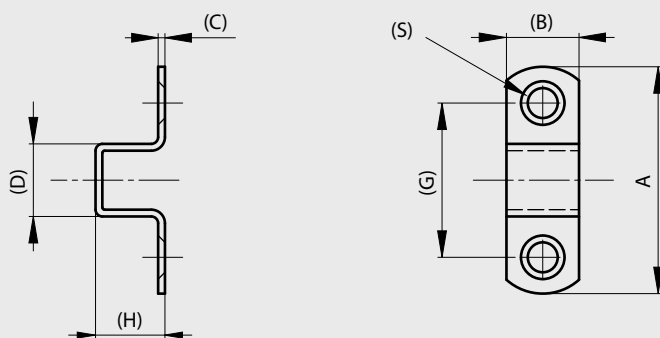
A	B	S	part number	material	finish	weight
40	20	2.9	16-1-3641	steel	zinc plated	7.5g





Strikes for latches with dimension A = 35, 50 and 70

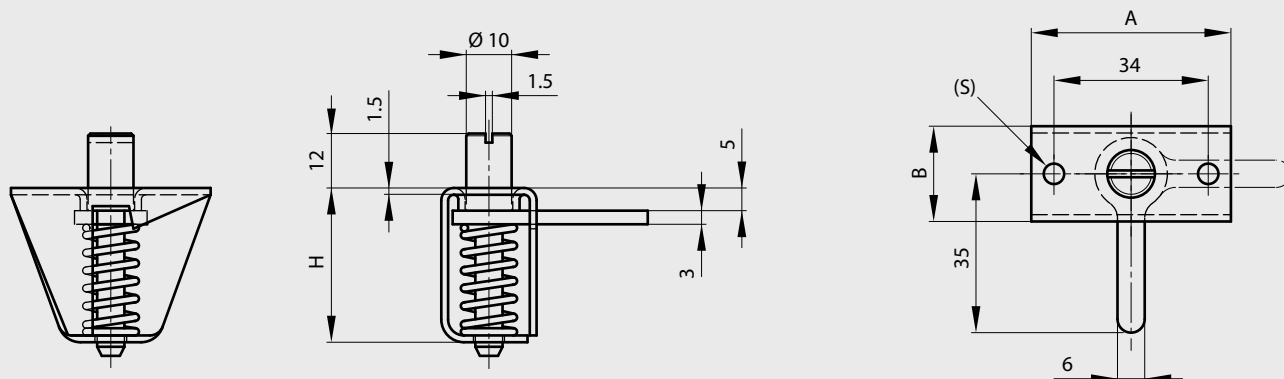
A	B	C	D	G	H	S	part number	material	finish	weight
35	11	1.2	11.5	23	11.5	4.3	16-1-3633	steel	zinc plated	4.5g
35	11	1.2	11.5	23	11.5	4.3	16-1-3634	brass	chrome plated	5g
50	16	1.5	16	34	16	5.2	16-1-3636	steel	zinc plated	12g
50	16	1.5	16	34	16	5.2	16-1-3637	brass	chrome plated	13g
70	19	2	19	43.5	19	6.2	16-1-3639	steel	zinc plated	32g
70	19	2	19	43.5	19	6.2	16-1-3640	brass	chrome plated	33g

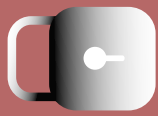


Latch

Stainless steel spring

A	B	H	S	part number	material	finish	weight
44	21	38	4.5	16-1-3266	steel	zinc plated	59g

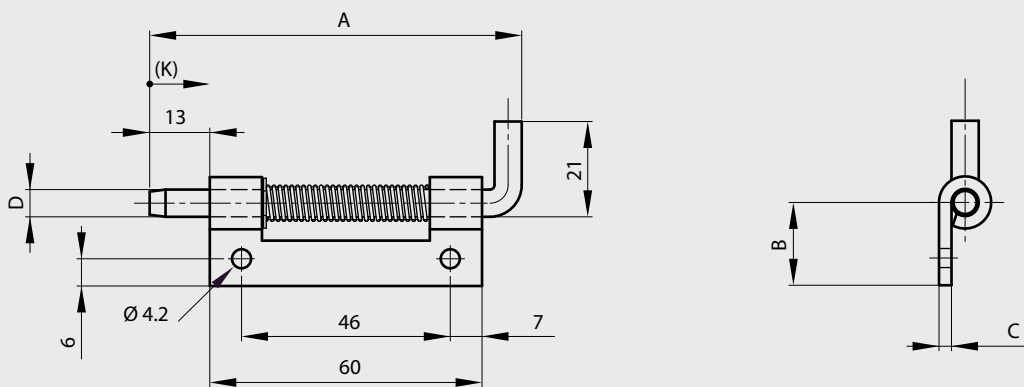




Concealed springloaded pin hinges

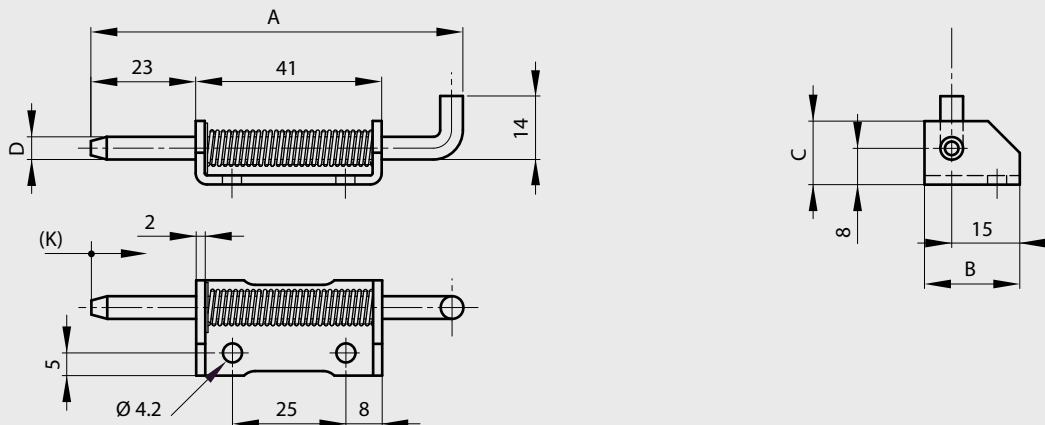
Stainless steel spring. Hinges in raw steel and zinc plated steel with a zinc plated pin.

A	B	C	D	K	note	part number	material	finish	weight
82	18.2	2.8	6	12	type 1 as shown below	12-1-3856	steel	raw	46.4g
82	18.2	2.8	6	12	type 2 symmetric not shown	12-1-3857	steel	raw	46.4g
82	18.2	2.8	6	12	type 1 as shown below	12-1-3854	steel	zinc plated	46.4g
82	18.2	2.8	6	12	type 2 symmetric not shown	12-1-3855	steel	zinc plated	46.4g
82	18.2	2.8	6	12	type 1 as shown below	12-1-3858	304 stainless steel	raw	46.4g
82	18.2	2.8	6	12	type 2 symmetric not shown	12-1-3859	304 stainless steel	raw	46.4g



Stainless steel spring

A	B	C	D	K	note	part number	material	finish	weight
82	21	14	5	12	type 1 as shown below	12-1-3950	steel	raw	38.5g
82	21	14	5	12	type 2 symmetric not shown	12-1-3951	steel	raw	38.5g
82	21	14	5	12	type 1 as shown below	12-1-3860	steel	zinc plated	38.5g
82	21	14	5	12	type 2 symmetric not shown	12-1-3861	steel	zinc plated	38.5g
82	21	14	5	12	type 1 as shown below	12-1-3862	304 stainless steel	raw	38.5g
82	21	14	5	12	type 2 symmetric not shown	12-1-3863	304 stainless steel	raw	38.5g

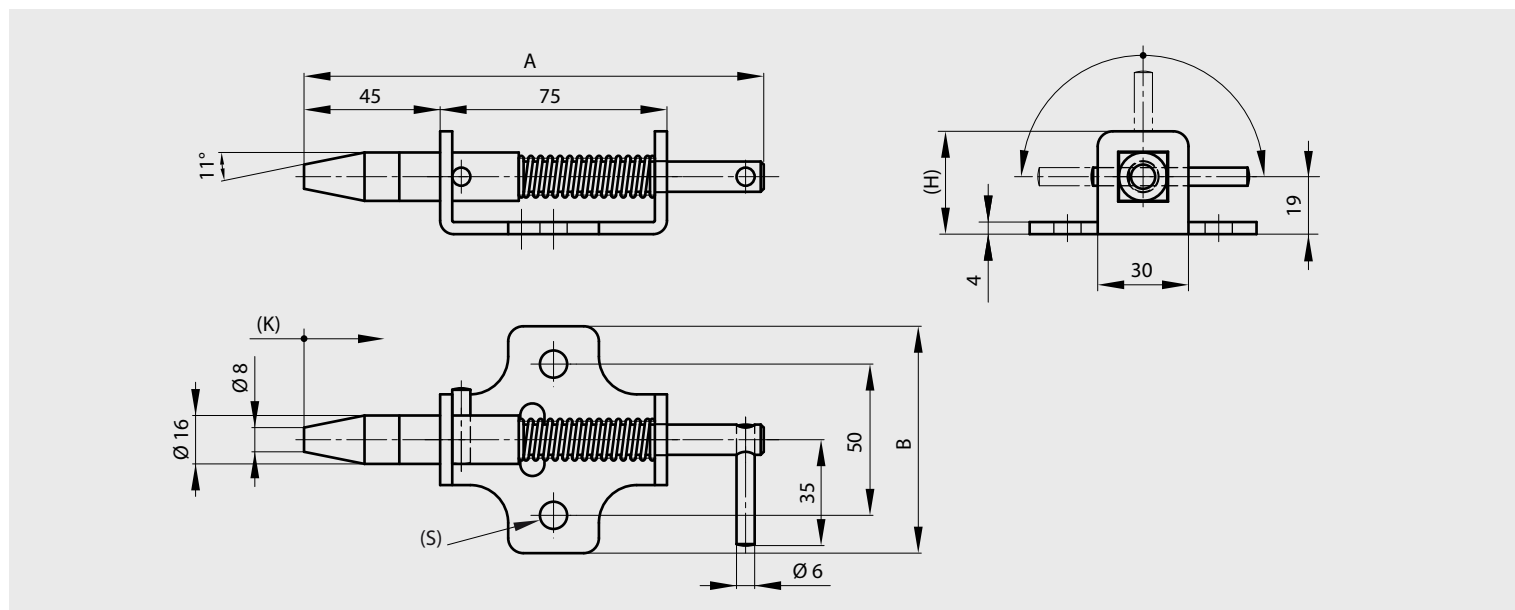




Springloaded bolt with locking system

Heavy duty range

A	B	H	K	S	part number	material	finish	weight
152	75	34	20	9	16-1-4034	steel	zinc plated	340g



Bolt with locking system

new!

Stop when open. Heavy duty range.

A	B	K	part number	material	finish	weight
132	50	17	16-1-9007	steel	zinc plated	172g

