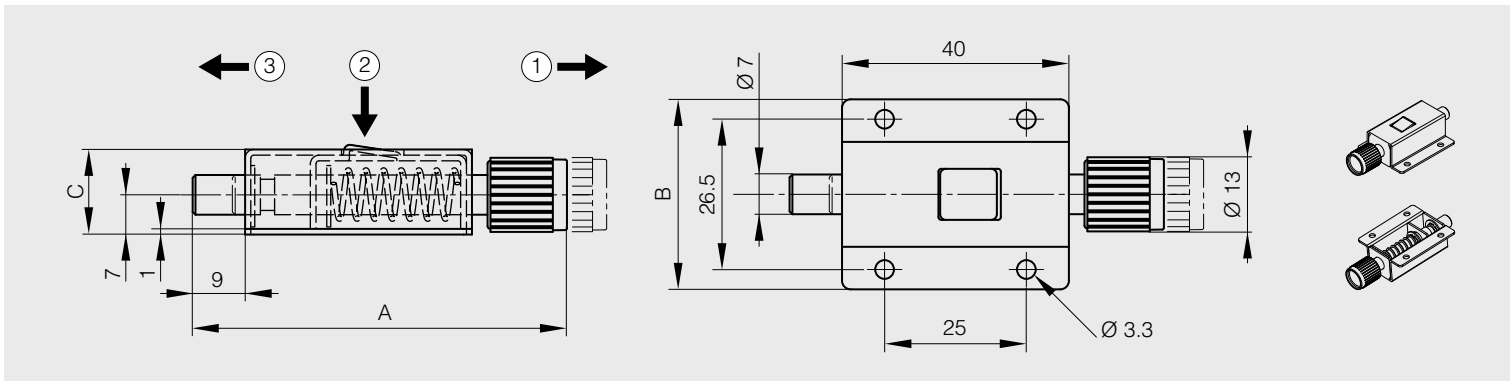


Push barrel bolt

new!

Stainless steel latch with steel shaft and plastic button

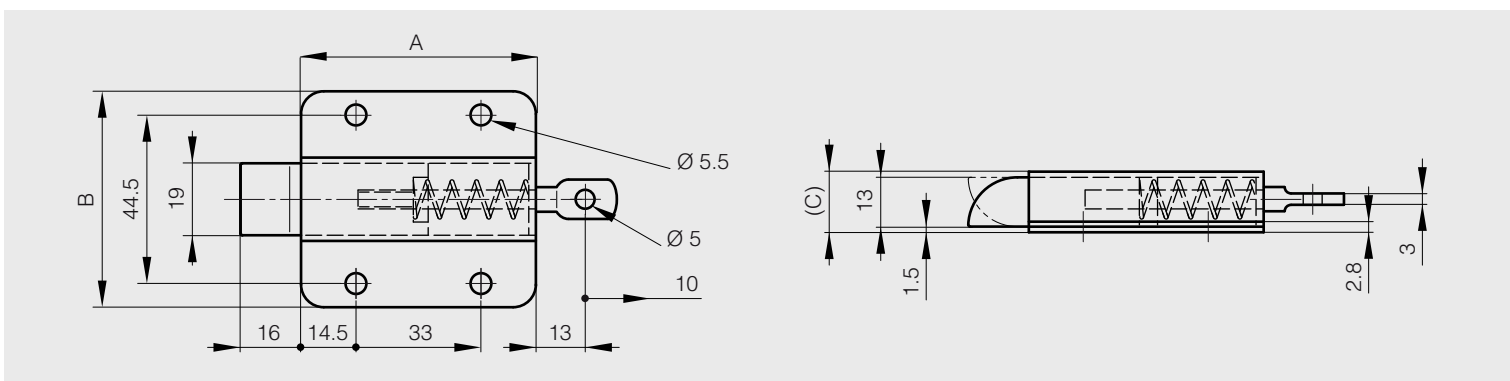
A	B	C	part number	material	finish	weight
68	33.5	15	16-1-9008	stainless steel	raw	44g



Springloaded bolt

Slam blot - reversible

A	B	C	note	part number	material	finish	weight
62	57	15.8	bolt delivered 'nose-up'	16-7-4220	steel	zinc plated	185g
62	57	15.8	bolt delivered 'nose-down'	16-7-3835	304 stainless steel	raw	185g

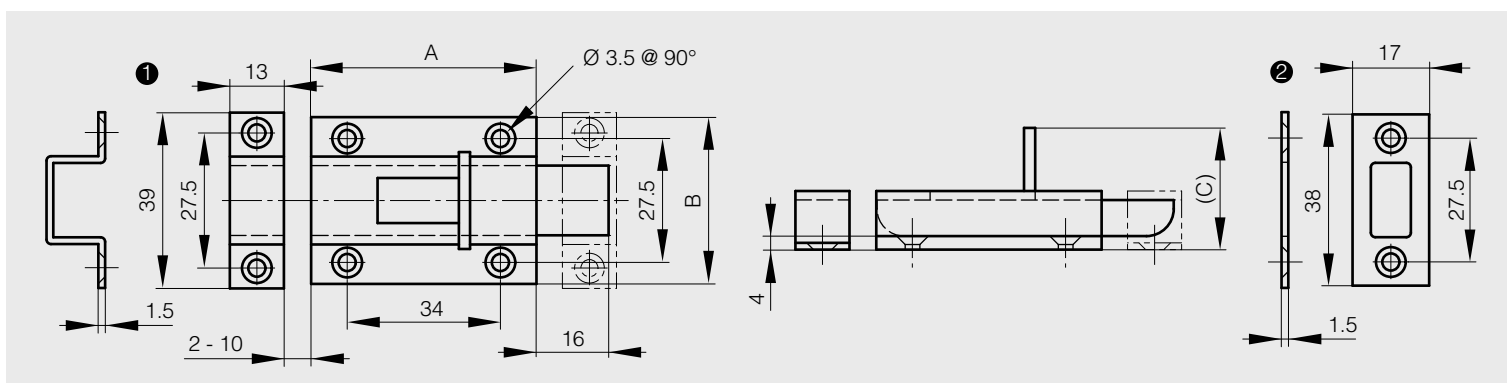




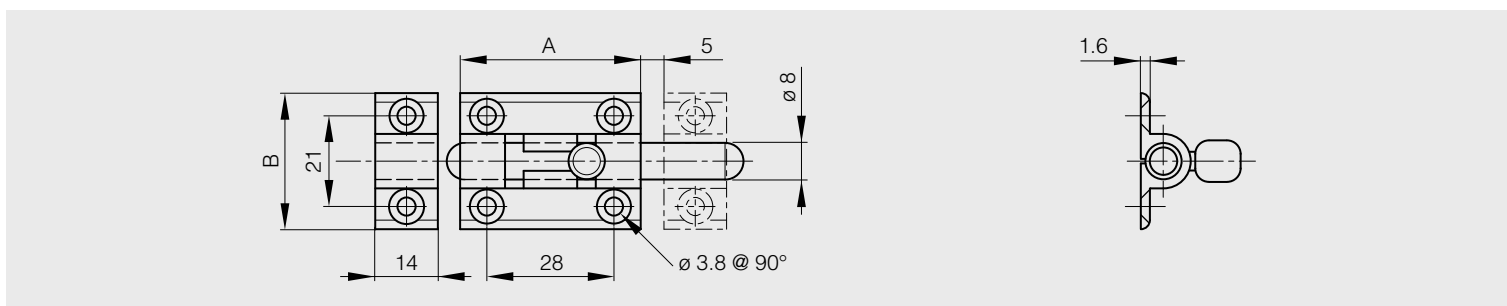
Barrel bolt

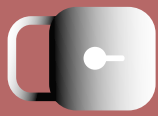
Can be fixed in vertical or horizontal position (stop when locked)
 Supplied with 2 different strikes (see drawing).

A	B	C	part number	material	finish	weight
50	37	27	16-7-3863	304 stainless steel	satin	80g



A	B	part number	material	finish	weight
40	30	16-7-3680	copper	polished	66g
40	30	16-7-3681	copper	chrome plated	66g

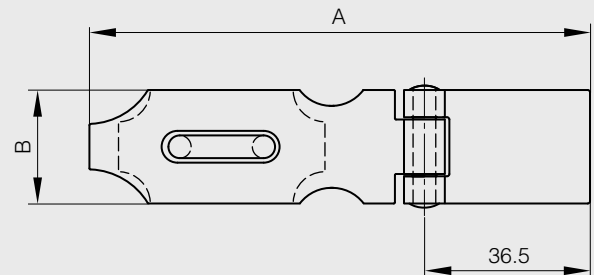
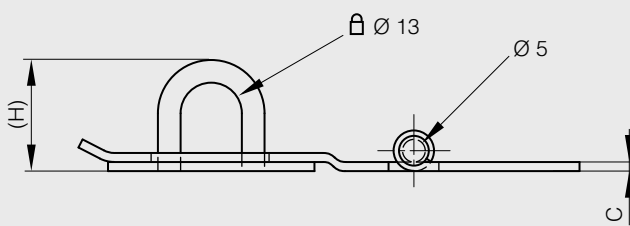




Steel hasp

Delivered with catch plate

A	B	C	H	part number	material	finish	weight
110	25	2	24.5	16-7-3398	steel	raw	61g

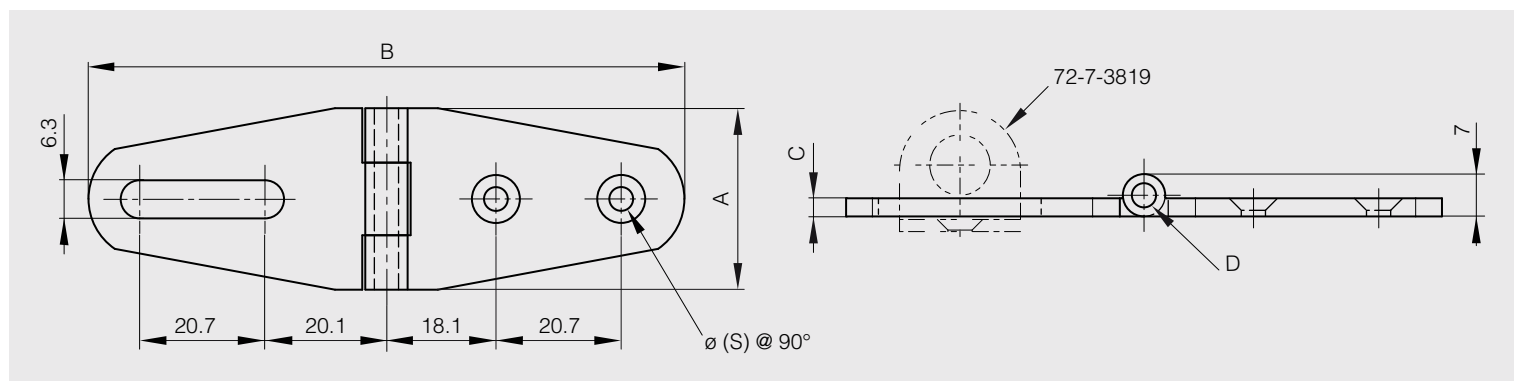




Brass hasp

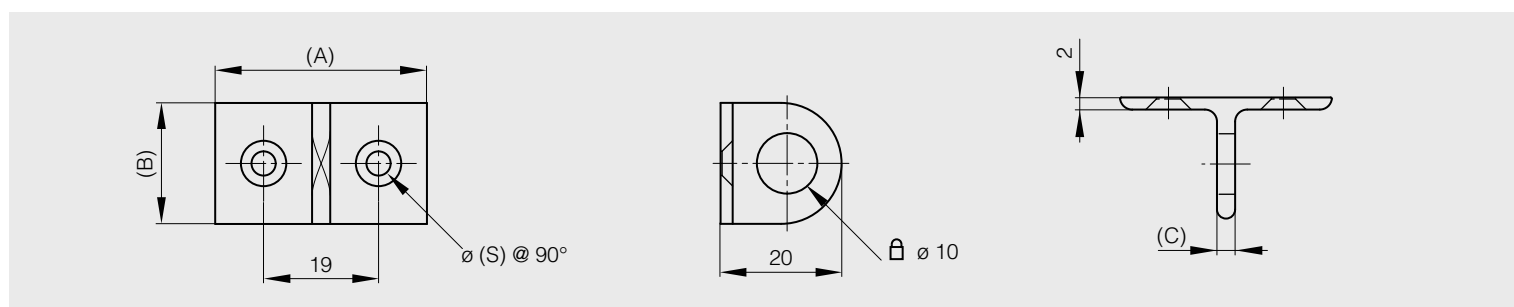
304 stainless steel pin
Same shape available for hinge 72-7-3725

A	B	C	D	S	part number	material	finish	weight
30	98.5	3	4	4	72-7-3726	brass	chrome plated	55g



Catch plate for part number 72-7-3726

A	B	C	S	part number	material	finish	weight
35	20	3	4	72-7-3819	brass	chrome plated	16g





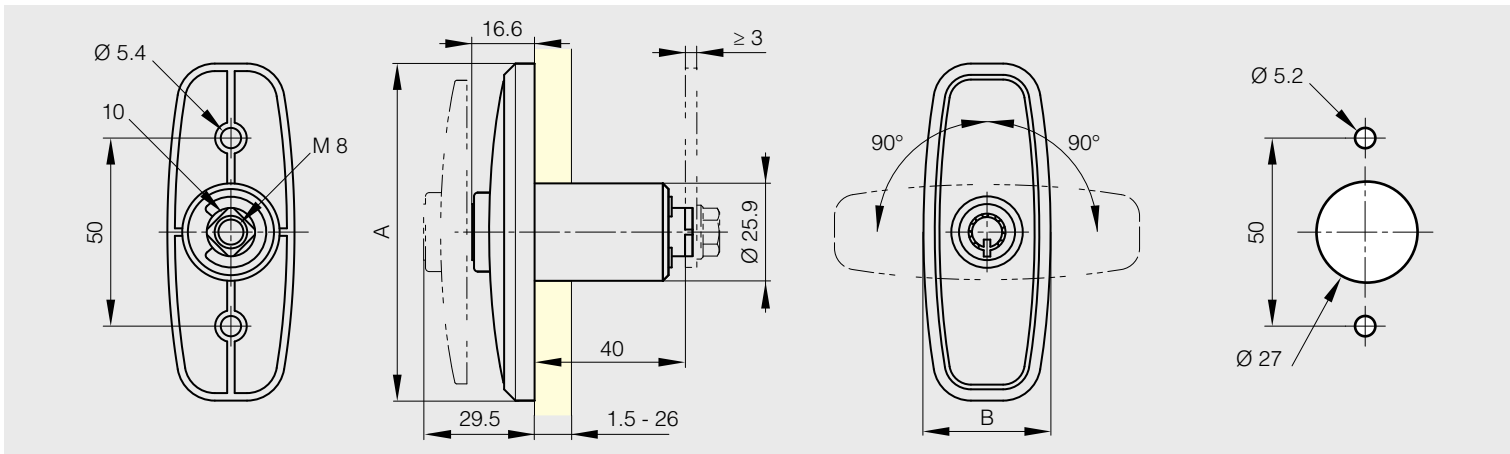
Lockable flush pop-out T-handle

2 keys included, no cam.

Flush T-handle. When the cylinder is opened, the handle pops out and can be turned.

A full product data sheet is available on our website.

A	B	part number	material	finish	weight
89.6	33.8	16-7-4071	zinc die-cast	chrome plated	248g



Cylinder lock

Quarter-turn cylinder lock for maximum door thickness of 40mm. Supplied with 2 keys.

Not handed. Cam to be ordered separately.

H	part number	material	finish	weight
56.5	16-7-4063	zinc die-cast	chrome plated	138g

