



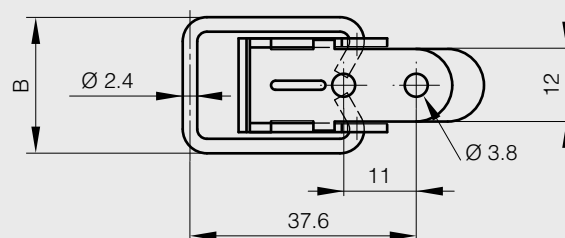
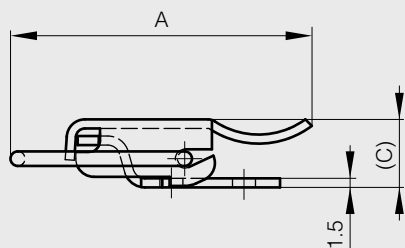
Toggle latches without strike

These latches are used with strike part numbers 16-7-3414, 16-7-3418, 16-7-3529 and 16-7-3531 (see below)

Padlockable options available are part numbers 16-7-3394 and 16-7-3396

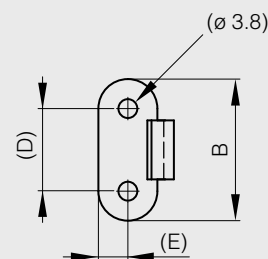
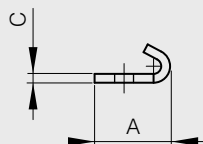


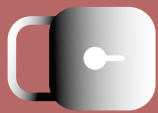
A	B	C	note	part number	material	finish	weight
50	22	12.5	undrilled	16-7-3416	steel	raw	20g
50	22	12.5	drilled	16-7-3410	steel	zinc plated	20g
50	22	12.5	drilled	16-7-3525	304 stainless steel	raw	20g
49	22.5	11.8	undrilled	16-7-3527	304 stainless steel	raw	20g



Strikes for part numbers 16-7-3410, 16-7-3416, 16-7-3525 and 16-7-3527

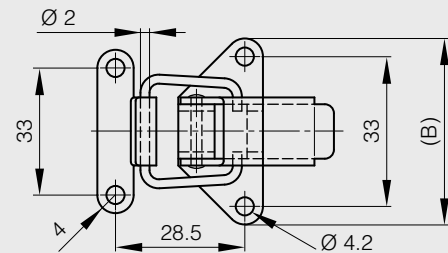
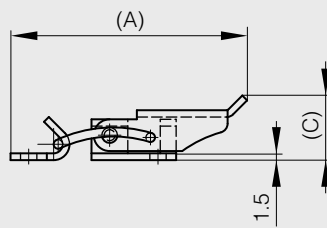
A	B	C	D	E	note	part number	material	finish	weight
12.8	24	1.5			undrilled	16-7-3418	steel	raw	3.5g
12.8	24	1.5	14	5	drilled	16-7-3414	steel	zinc plated	3.5g
12.8	24	1.5	14	5	drilled	16-7-3529	304 stainless steel	raw	3.5g
12.8	24	1.5			undrilled	16-7-3531	304 stainless steel	raw	3.5g





Toggle latch with strike

A	B	C	part number	material	finish	weight
52	41	13.5	16-7-3845	steel	zinc plated	23g
52	41	13.5	16-7-3846	304 stainless steel	raw	23g



Toggle latch without strike

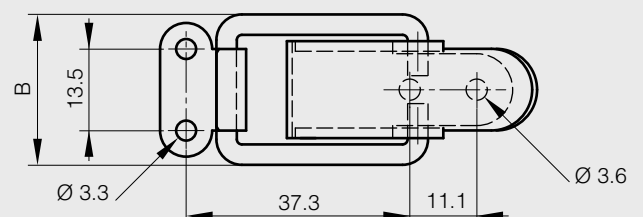
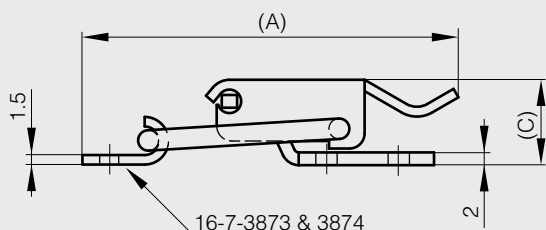
This latch is used with strike, part numbers 16-7-3873 and 16-7-3874 (see below)

A	B	C	part number	material	finish	weight
58.1	23.4	12.7	16-7-3875	steel	zinc plated	32g
58.1	23.4	12.7	16-7-3876	304 stainless steel	raw	32g



Strikes for part numbers 16-7-3875 and 16-7-3876

part number	material	finish	weight
16-7-3873	steel	zinc plated	3.5g
16-7-3874	304 stainless steel	raw	3.5g





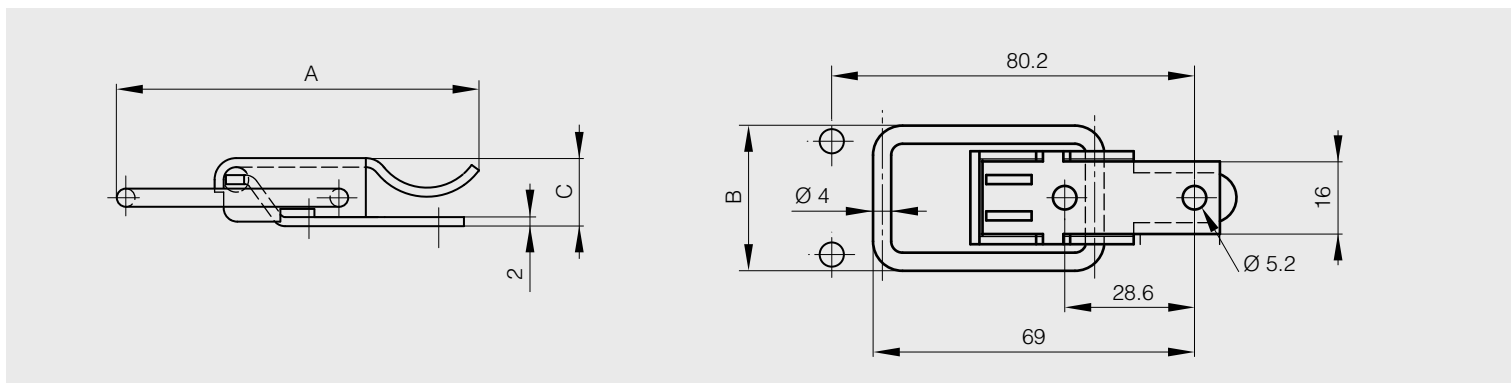
Toggle latches without strike

These latches are used with strike part numbers 16-7-3415, 16-7-3419, 16-7-3530 and 16-7-3532 (see below)

Padlockable options are available for part numbers 16-7-3395, 16-7-3397, 16-7-3719, 16-7-3723 and 16-7-3724

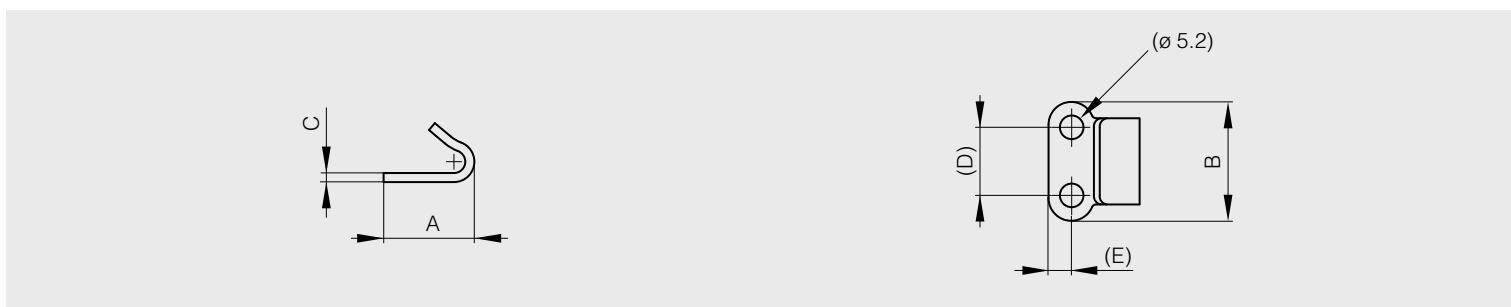


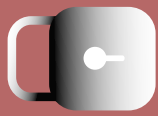
A	B	C	note	part number	material	finish	weight
80.2	32	14.5	drilled	16-7-3411	steel	zinc plated	53.5g
80.2	32	14.5	drilled	16-7-3526	304 stainless steel	raw	53.5g
80.2	32	14.5	undrilled	16-7-3528	304 stainless steel	raw	53.5g



Strikes for part numbers 16-7-3411, 16-7-3526 and 16-7-3528

A	B	C	D	E	note	part number	material	finish	weight
20	26.2	2			undrilled	16-7-3419	steel	raw	9g
20	26.2	2	15	5.1	drilled	16-7-3415	steel	zinc plated	9g
20	26.2	2			undrilled	16-7-3532	304 stainless steel	raw	9g
20	26.2	2	15	5.1	drilled	16-7-3530	304 stainless steel	raw	9g





Toggle latch without strike

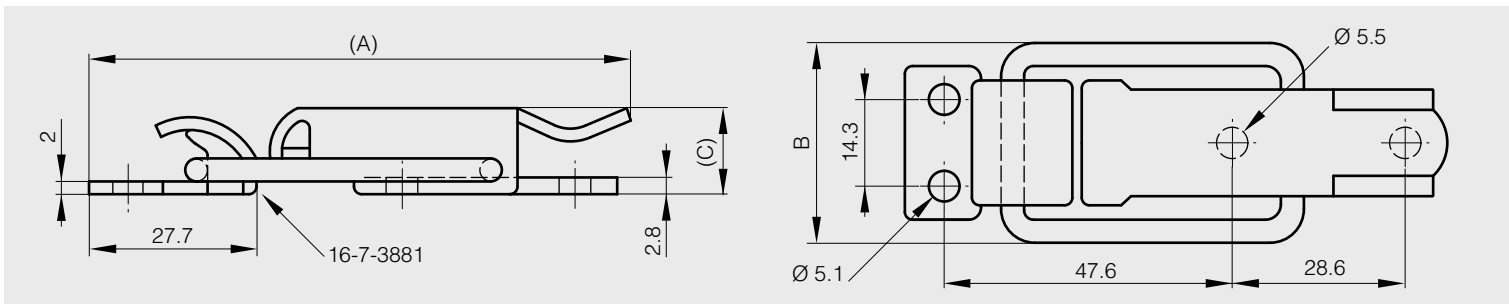
This latch is used with strike part number 16-7-3881 (see below)

A	B	C	part number	material	finish	weight
89.7	33	14.2	16-7-3880	steel	zinc plated	68g



Strike for part number 16-7-3880

part number	material	finish	weight
16-7-3881	steel	zinc plated	9g



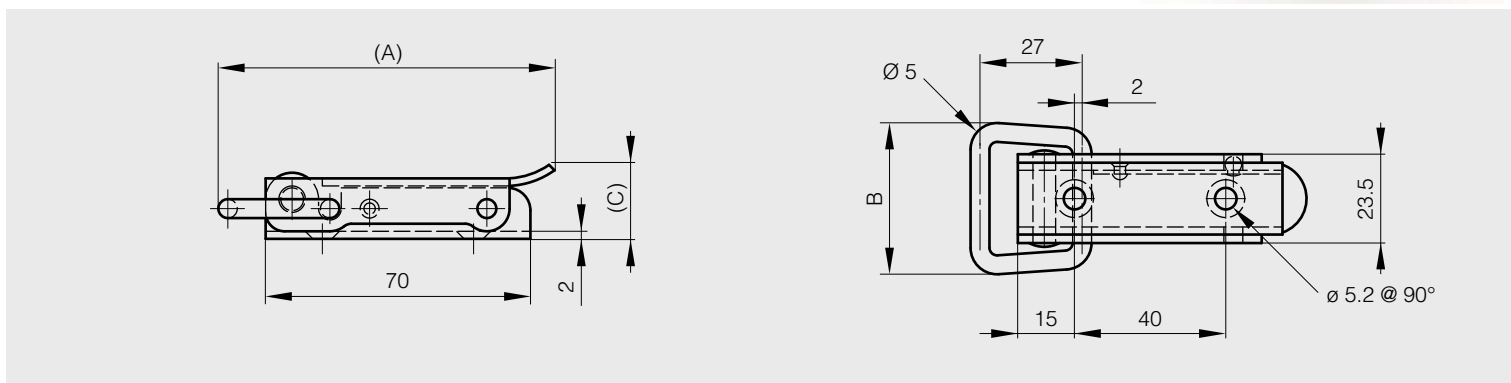


Toggle latches without strike

Punched holes

These latches are used with strike part numbers 16-7-3551, 16-7-3557 and 16-7-3601 (see below)

A	B	C	part number	material	finish	weight
88.5	40	19.5	16-7-3424	steel	raw	106g
88.5	40	19.5	16-7-3508	steel	zinc plated	106g
88.5	40	19.5	16-7-3829	304 stainless steel	raw	106g

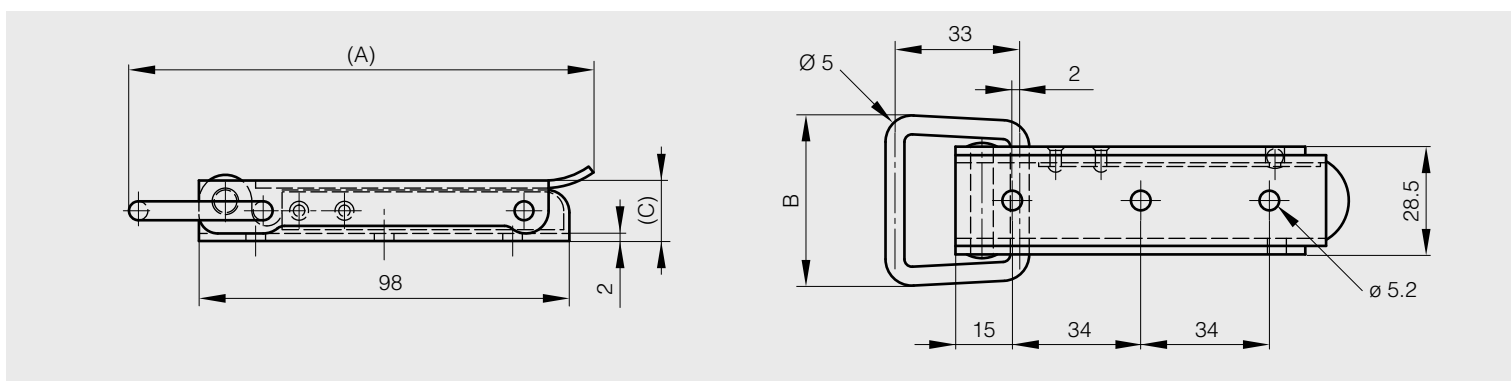


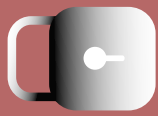
Punched holes.

This latch is used with strike part numbers 16-7-3551, 16-7-3406, 16-1-4038 and 16-7-3870 (see below).

Padlockable options are available for part numbers 16-7-3426 and 16-7-3664.

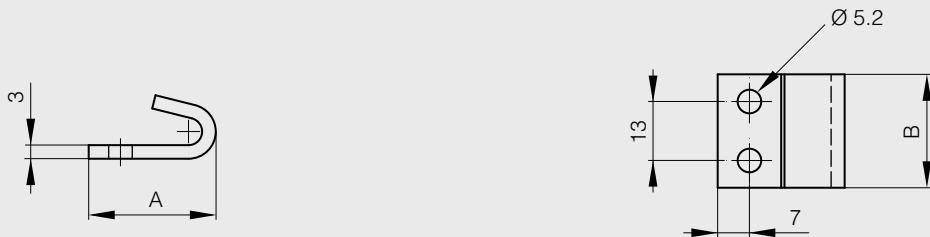
A	B	C	part number	material	finish	weight
122	45	16	16-7-3502	steel	zinc plated	161g





Strikes for part numbers 16-7-3424, 16-7-3502, 16-7-3508 and 16-7-3829

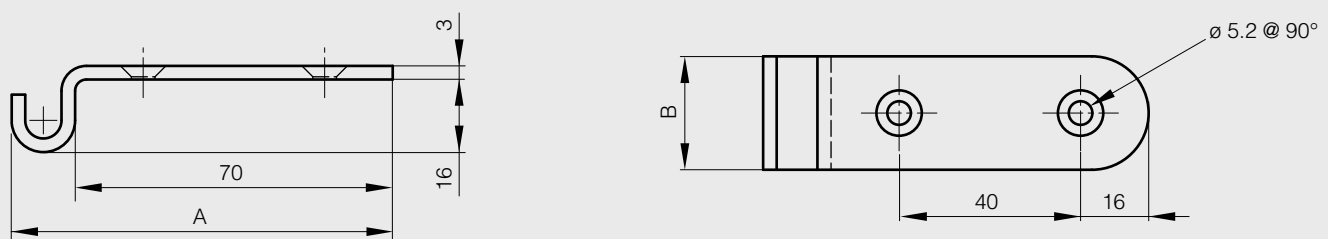
A	B	part number	material	finish	weight
28	25	16-7-3557	steel	raw	24g
28	25	16-7-3551	steel	zinc plated	24g
28	25	16-7-3601	304 stainless steel	raw	24g



Other strikes available for part numbers 16-7-3424, 16-7-3502, 16-7-3508 and 16-7-3829

Drilled and countersunk for 4.5 mm diameter screws

A	B	part number	material	finish	weight
85	25	16-7-3404	steel	raw	57g
85	25	16-7-3406	steel	zinc plated	57g
85	25	16-7-3828	304 stainless steel	raw	57g

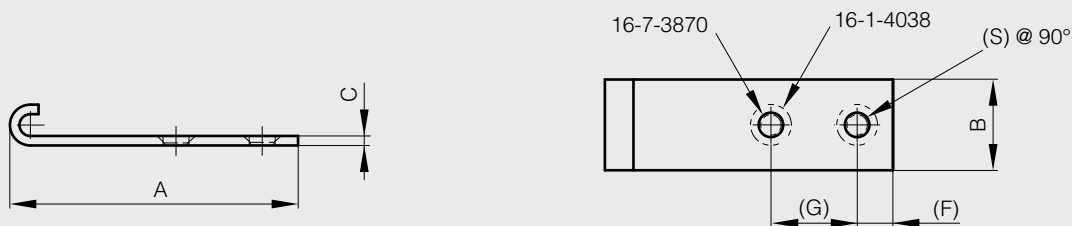




Other strikes available for pt. nos. 16-7-3424, 16-7-3502, 16-7-3508 and 16-7-3829

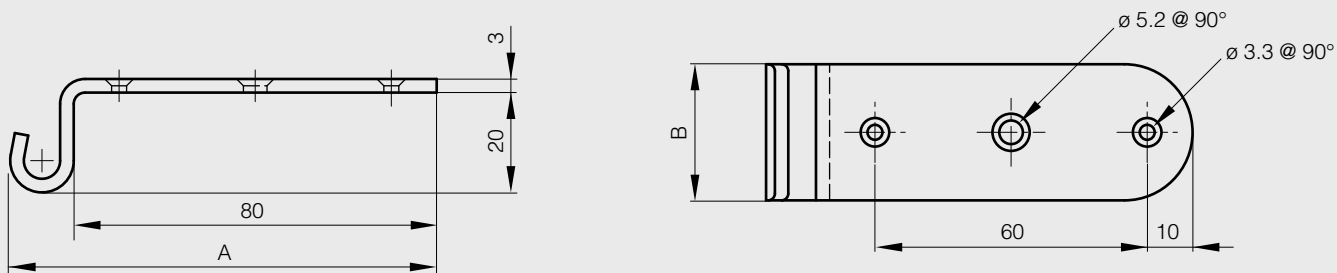
Drilled and countersunk for 4.5 mm diameter screws

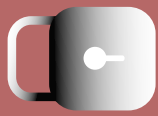
A	B	C	F	G	S	part number	material	finish	weight
63	25	3	8.8	26	4.5	16-1-4038	steel	zinc plated	42g
63.5	20	2	7.9	19	5.4	16-7-3870	steel	zinc plated	24g



Other strike for part number 16-7-3502

A	B	part number	material	finish	weight
93	30	16-7-3407	steel	zinc plated	82.5g

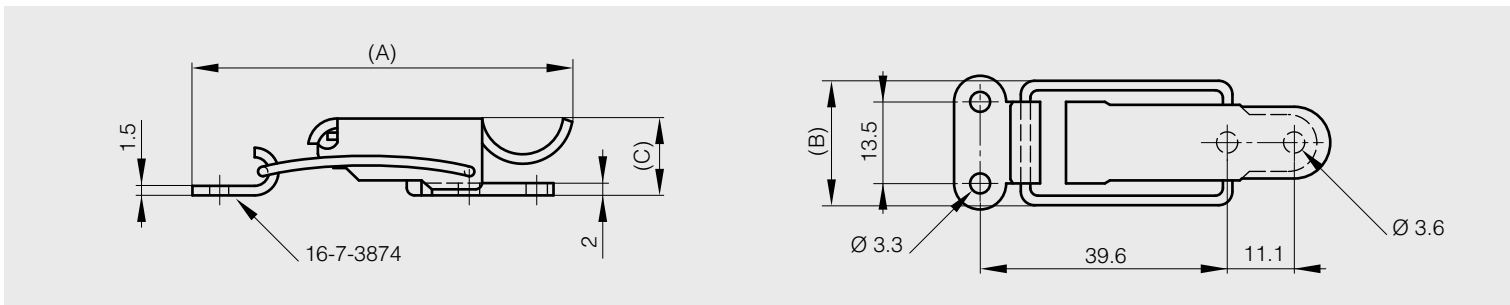




Toggle latches (consistent tension)

This latch is used with strike part number 16-7-3874 (see below)

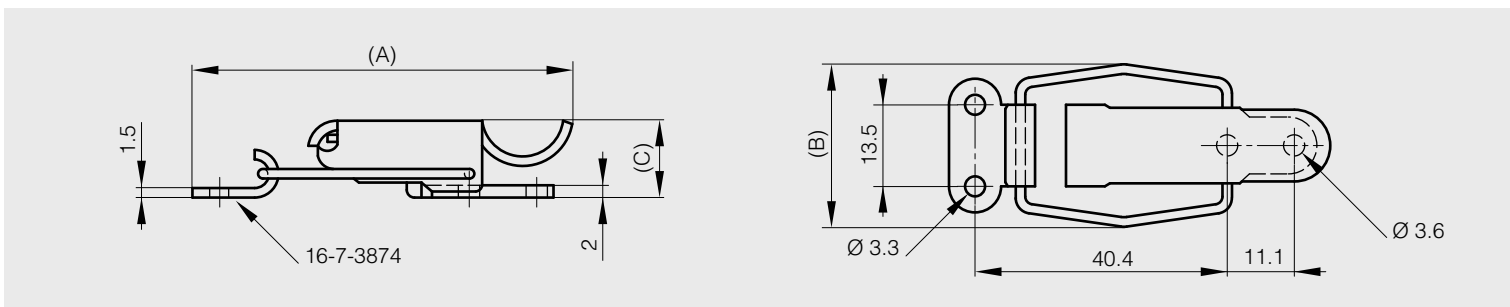
A	B	C	part number	material	finish	weight
58.6	20.6	12.7	16-7-3891	304 stainless steel	raw	27g



Toggle latches (consistent tension)

This latch is used with strike part number 16-7-3874 (see below)

A	B	C	part number	material	finish	weight
61.7	27	12.7	16-7-3888	304 stainless steel	raw	27g



Strike for part numbers 16-7-3888 and 16-7-3891

part number	material	finish	weight
16-7-3874	304 stainless steel	raw	3.5g

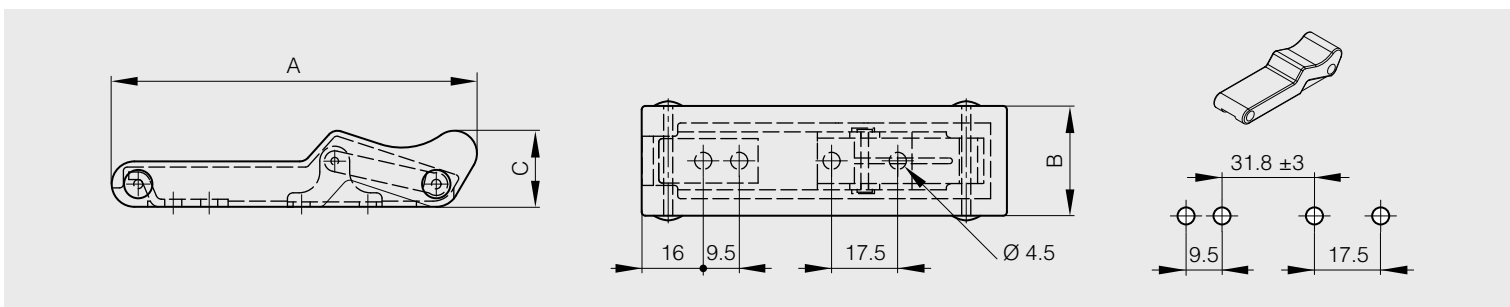




Soft toggle latch

new!

A	B	C	part number	material	finish	weight
96.5	29	20	16-1-9006	elastomer	black	36g

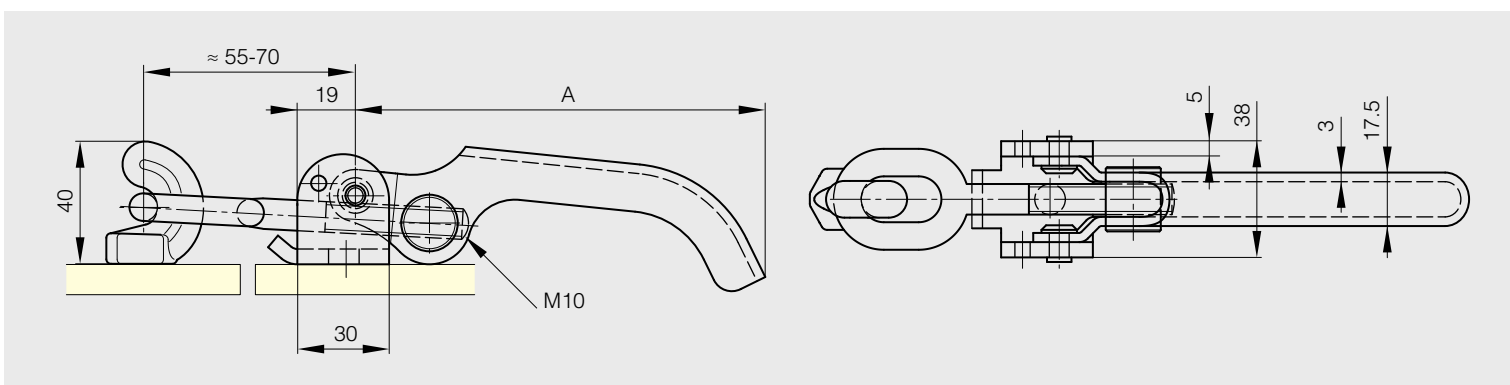


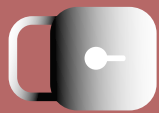
Heavy duty toggle latch

new!

This latch is in raw steel with the loop in zinc plated steel.

A	part number	material	finish	weight
134	16-1-4150	steel	raw	413g

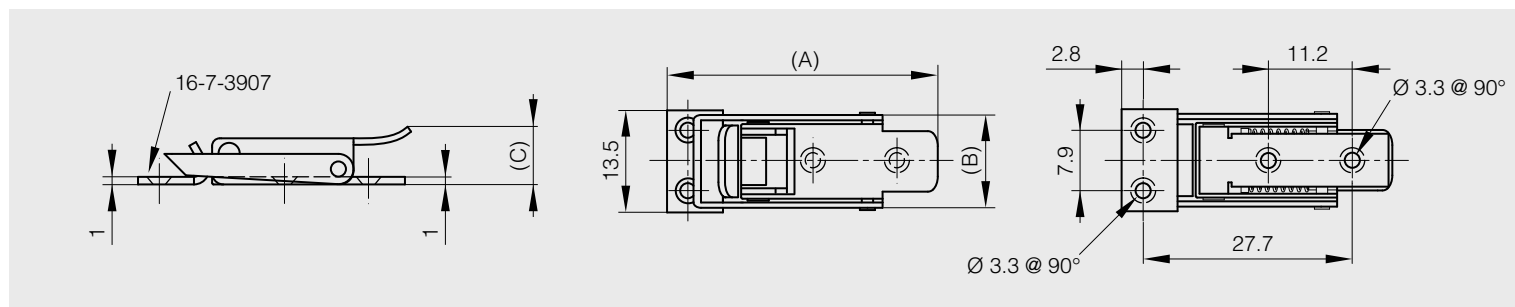




Spring loaded toggle latch without strike

This latch is used with strike part number 16-7-3907 (see below)

A	B	C	part number	material	finish	weight
35.8	12.3	7.9	16-7-3906	304 stainless steel	raw	9g



Strike for part number 16-7-3906

part number	material	finish	weight
16-7-3907	304 stainless steel	raw	4.5g

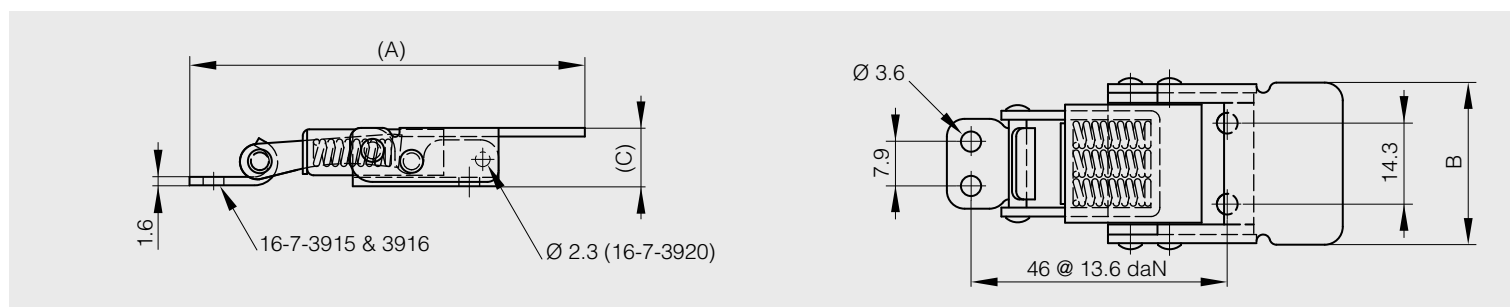




Spring loaded toggle latches without strike

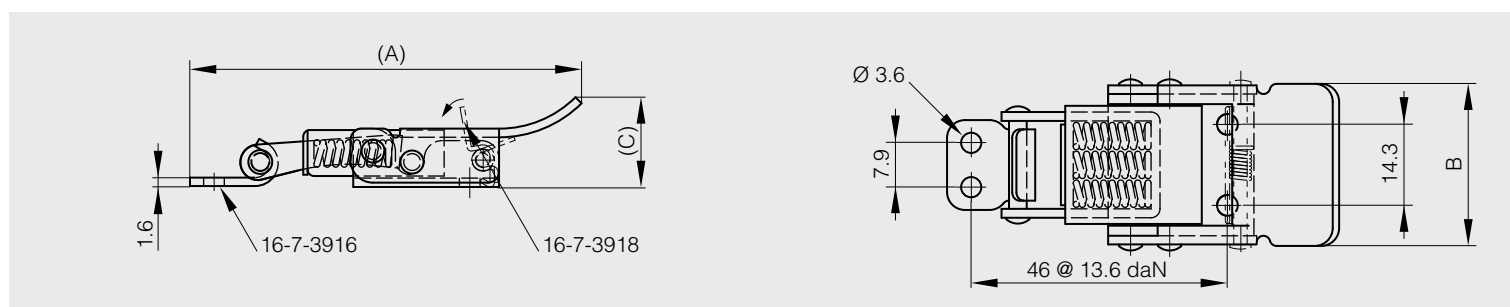
These latches are used with strike part numbers 16-7-3915 and 16-7-3916 (see below)

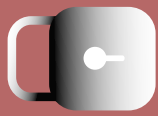
A	B	C	note	part number	material	finish	weight
70.8	28.7	10.2		16-7-3910	steel	zinc plated	50g
70.8	28.7	10.2		16-7-3911	304 stainless steel	raw	50g
70.8	28.7	10.2	with seal wire hole	16-7-3920	304 stainless steel	raw	50g



This latch is used with strike part number 16-7-3916 (see below).
A padlockable option is available for part number 16-7-3917.
The push button prevents accidental opening.

A	B	C	note	part number	material	finish	weight
70.9	28.7	14.7	with push button to open / no seal wire hole	16-7-3918	304 stainless steel	raw	50g





Strikes for part numbers 16-7-3910, 16-7-3911, 16-7-3918 and 16-7-3920

part number	material	finish	weight
16-7-3915	steel	zinc plated	4.5g
16-7-3916	304 stainless steel	raw	4.5g

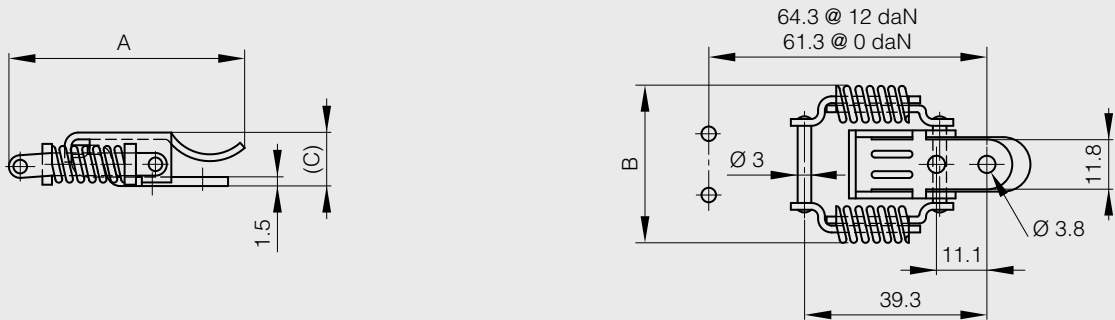


Spring loaded toggle latches without strikes

These latches are used with strike part numbers 16-7-3738, 16-7-3739, 16-7-3741 and 16-7-3742 (see below)

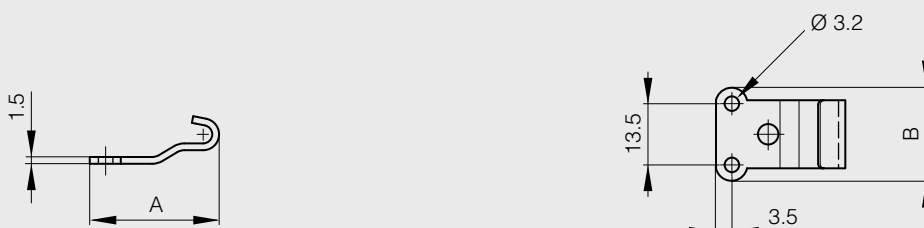
Padlockable options are available for part numbers 16-7-3759 and 16-7-3760

A	B	C	part number	material	finish	weight
52	34.5	11.8	16-7-3734	steel	raw	27g
52	34.5	11.8	16-7-3735	steel	zinc plated	27g
52	34.5	11.8	16-7-3736	304 stainless steel	raw	27g



Strikes for part numbers 16-7-3734, 16-7-3735 and 16-7-3736

A	B	note	part number	material	finish	weight
28.5	20.5	undrilled	16-7-3738	steel	zinc plated	3.5g
28.5	20.5	drilled	16-7-3741	steel	zinc plated	3.5g
28.5	20.5	undrilled	16-7-3739	304 stainless steel	raw	3.5g
28.5	20.5	drilled	16-7-3742	304 stainless steel	raw	3.5g





Spring loaded toggle latches without strikes

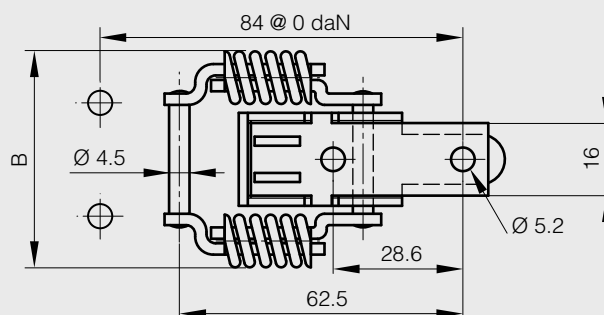
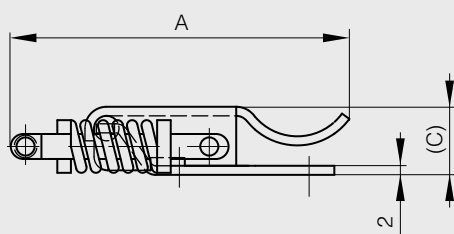
Dimension A (74mm) without tension. Dimension A can be extended up to 4mm putting the latch under tension.

The latches are used with strike part numbers 16-7-3751, 16-7-3752, 16-7-3753 and 16-7-3754 (see below)

Padlockable options are available for part numbers 16-7-3765 and 16-7-3766.

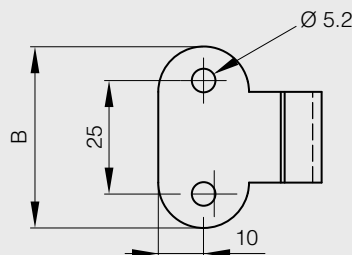
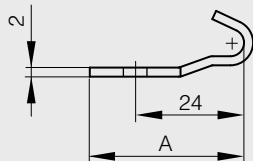


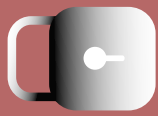
A	B	C	note	part number	material	finish	weight
74	47	15	drilled	16-7-3746	steel	raw	70g
74	47	15	drilled	16-7-3747	steel	zinc plated	70g
74	47	15	undrilled	16-7-3745	304 stainless steel	raw	70g
74	47	15	drilled	16-7-3748	304 stainless steel	raw	70g



Strikes for part numbers 16-7-3745, 16-7-3746, 16-7-3747 and 16-7-3748

A	B	note	part number	material	finish	weight
36	40	drilled	16-7-3752	steel	raw	20g
36	40	drilled	16-7-3753	steel	zinc plated	20g
36	40	undrilled	16-7-3751	304 stainless steel	raw	20g
36	40	drilled	16-7-3754	304 stainless steel	raw	20g



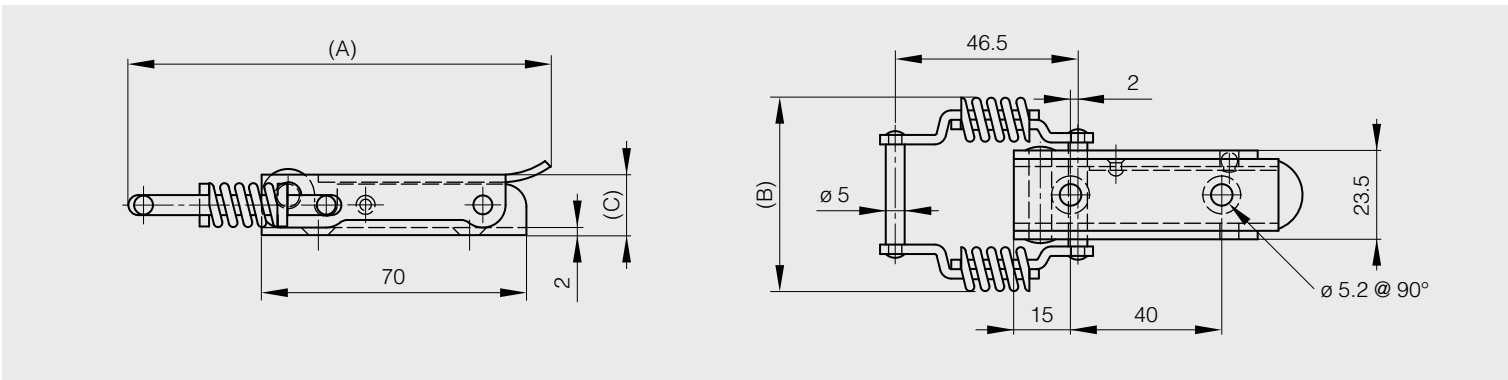


Spring loaded toggle latch without strike

This latch is used with strike part numbers 16-7-3404, 16-7-3406, 16-1-4038 and 16-7-3870 (see below).

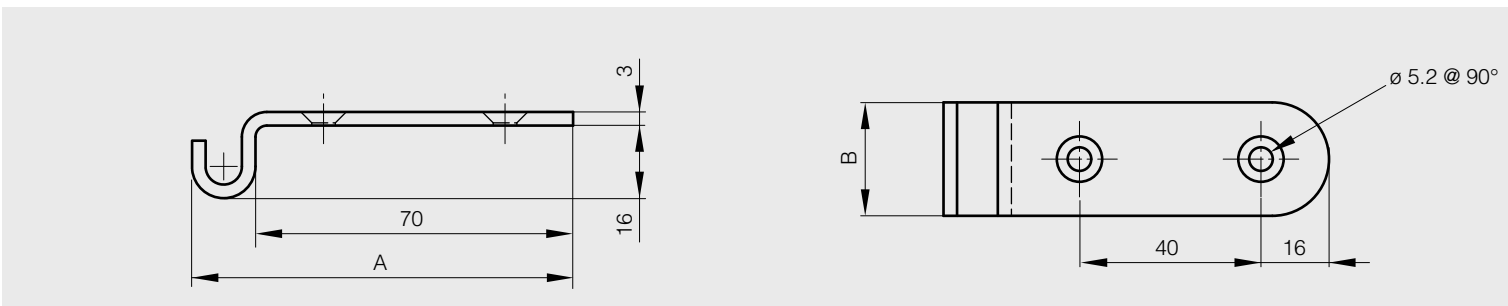


A	B	C	part number	material	finish	weight
108	49.5	19.5	16-7-3400	steel	raw	118g
108	49.5	19.5	16-7-3402	steel	zinc plated	118g



Strikes for part numbers 16-7-3400 and 16-7-3402

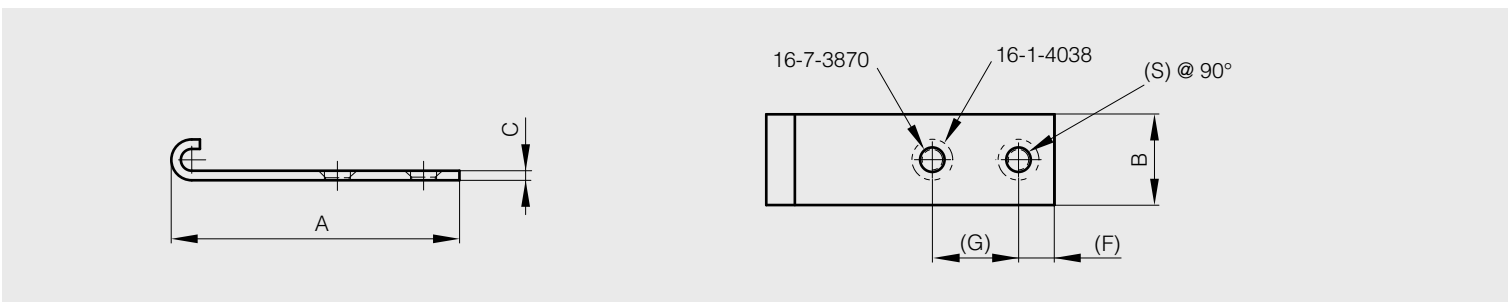
A	B	S	part number	material	finish	weight
85	25	5	16-7-3404	steel	raw	57g
85	25	5	16-7-3406	steel	zinc plated	57g

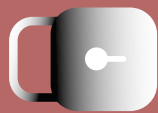


Alternative strikes for part numbers 16-7-3400 and 16-7-3402

Part number 16-7-3551 may also be used as an alternative strike.

A	B	C	F	G	S	part number	material	finish	weight
63	25	3	8.8	26	4.5	16-1-4038	steel	zinc plated	42g
63.5	20	2	7.9	19	5.4	16-7-3870	steel	zinc plated	24g





Spring hook toggle latch without strike

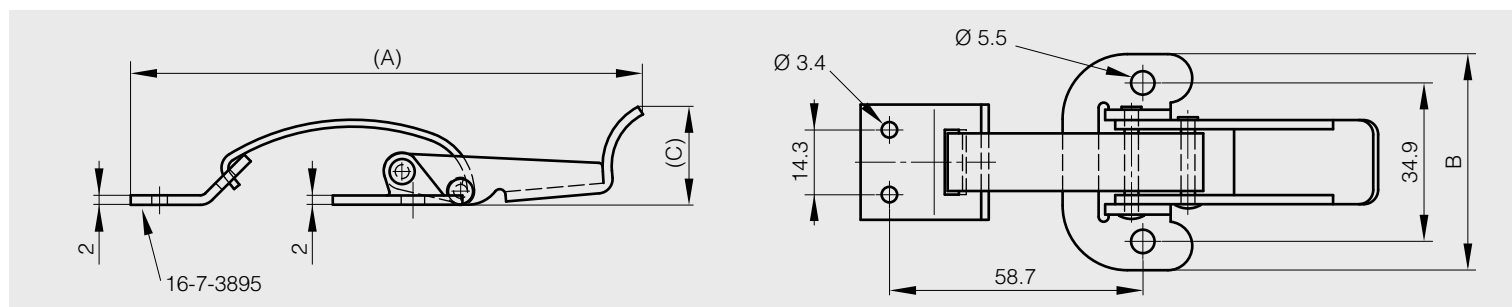
This latch is used with strike part number 16-7-3895 (see below).

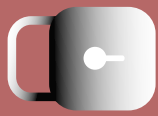
A	B	C	part number	material	finish	weight
116.8	47.4	20.3	16-7-3893	steel	zinc plated	54g



Strike for part number 16-7-3893

part number	material	finish	weight
16-7-3895	steel	zinc plated	9g



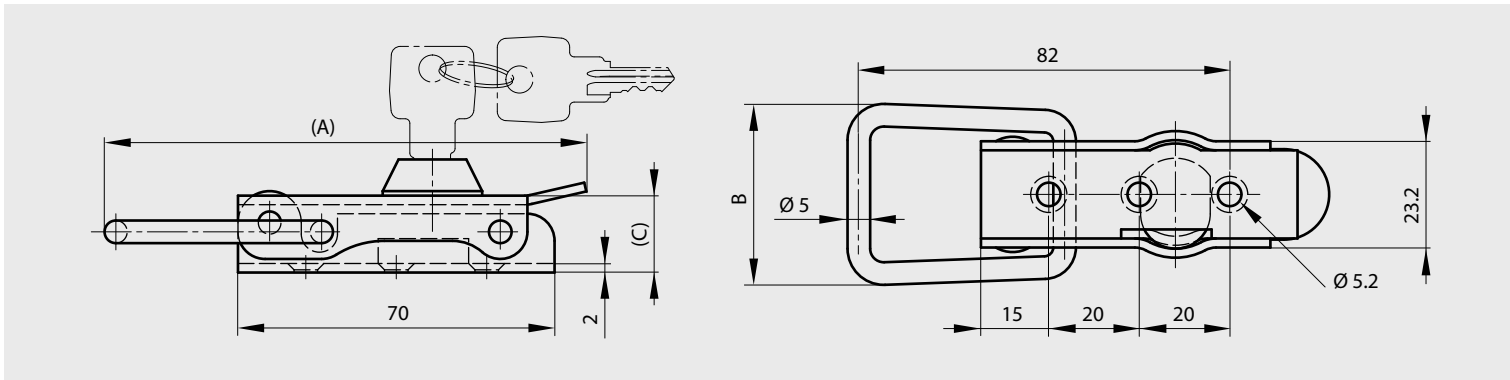


Lockable toggle latch without strike

Complete with 2 keys.
Stainless steel shaft and zinc plated loop.
This latch is used with strike part number 16-7-3551 (see below)



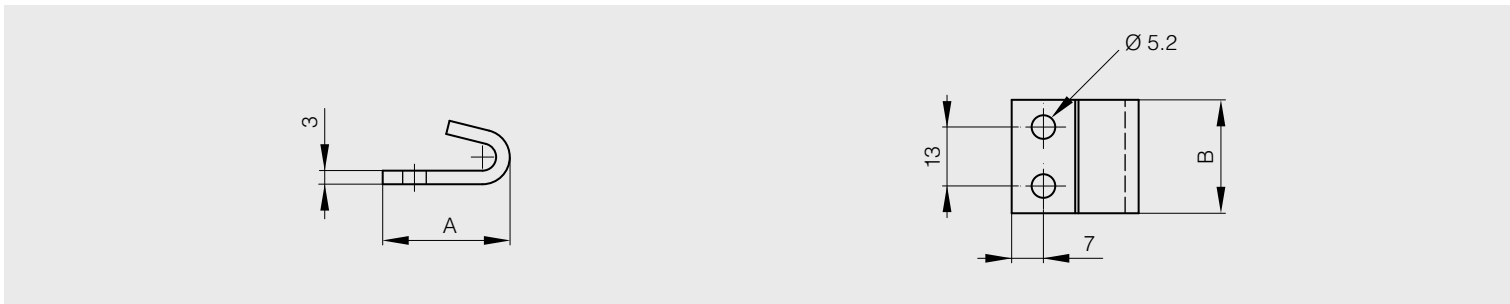
A	B	C	part number	material	finish	weight
106.5	40	17	16-1-4050	steel	zinc plated	132g



Strike for part number 16-1-4050

Possible alternative strikes: 16-1-4038, 16-7-3406 and 16-7-3870.

A	B	part number	material	finish	weight
28	25	16-7-3551	steel	zinc plated	24g



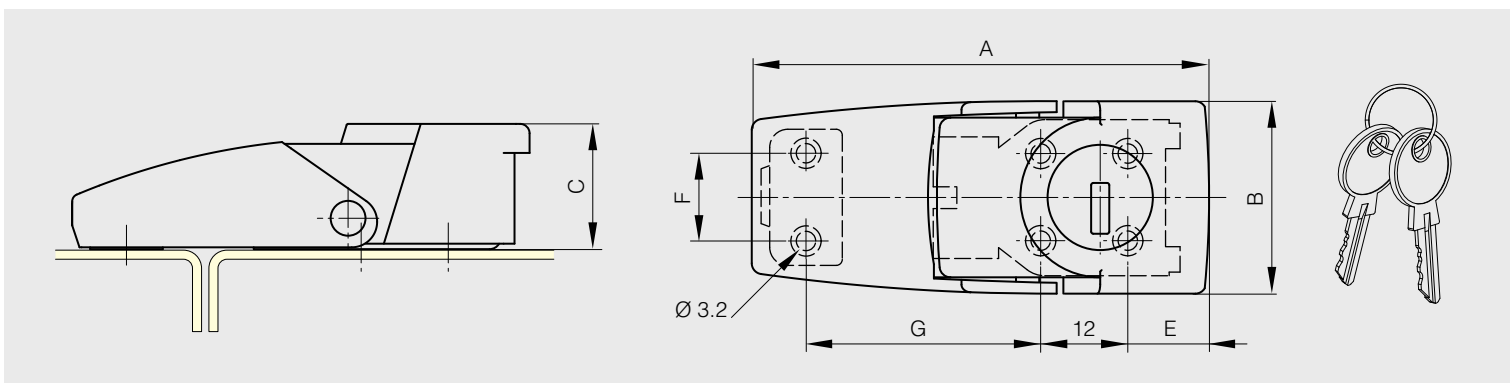


Zinc die-cast toggle latches with lockable options

new!

Available with or without keylock options.
Strike included.

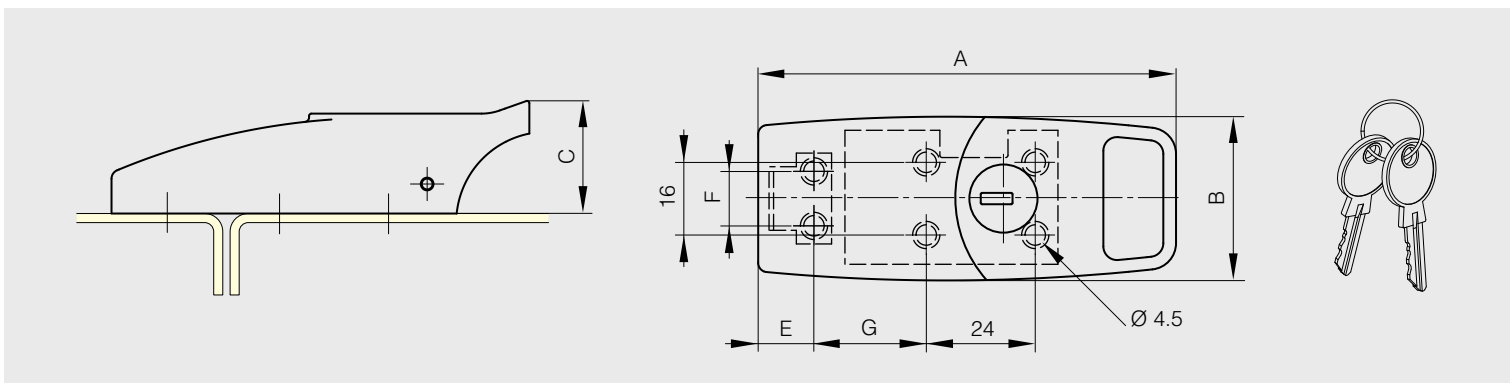
A	B	C	E	F	G	note	part number	material	finish	weight
64.5	26.5	17.3	13	12	30	with key	16-1-9003	zinc die-cast	black	72g
64.5	26.5	17.3	13	12	30	without key	16-1-9004	zinc die-cast	black	72g
76	32	21	16.8	16	35.5	with key	16-1-9001	zinc die-cast	black	118g
76	32	21	16.8	16	35.5	without key	16-1-9002	zinc die-cast	black	118g

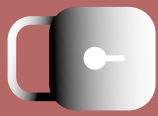


new!

Strike included

A	B	C	E	F	G	part number	material	finish	weight
92	36	25	12	12	28-32	16-1-9005	zinc die-cast	black	168g

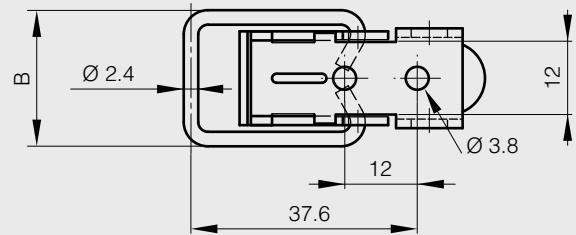
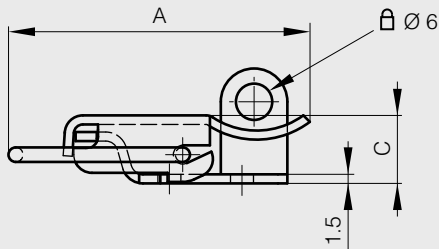




Padlockable toggle latch

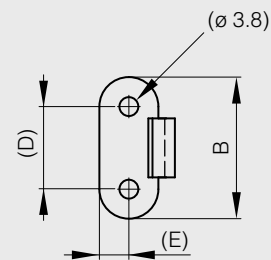
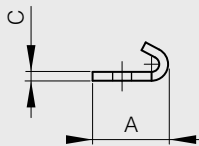
This latch is used with strike part numbers 16-7-3414 and 16-7-3418 (see below).

A	B	C	part number	material	finish	weight
49	22.5	19	16-7-3396	steel	raw	25g
49	22.5	19	16-7-3394	steel	zinc plated	25g



Strikes for part numbers 16-7-3394 and 16-7-3396

A	B	C	D	E	note	part number	material	finish	weight
12.8	24	1.5			undrilled	16-7-3418	steel	raw	3.5g
12.8	24	1.5	14	5	drilled	16-7-3414	steel	zinc plated	3.5g





Padlockable toggle latch without strike

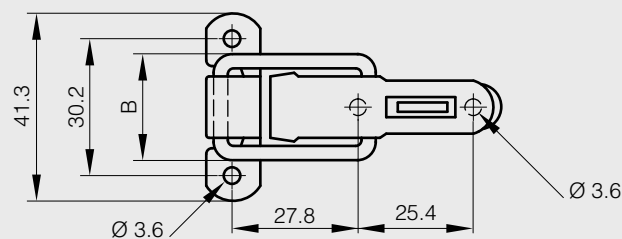
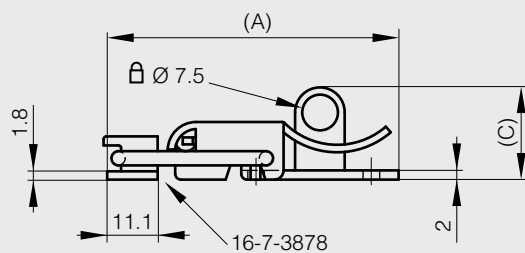
This latch is used with strike part number 16-7-3878 (see below).

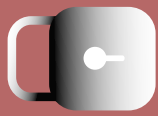
A	B	C	part number	material	finish	weight
65	23.4	20.3	16-7-3879	steel	zinc plated	36g



Strike for part number 16-7-3879

part number	material	finish	weight
16-7-3878	steel	zinc plated	4.5g



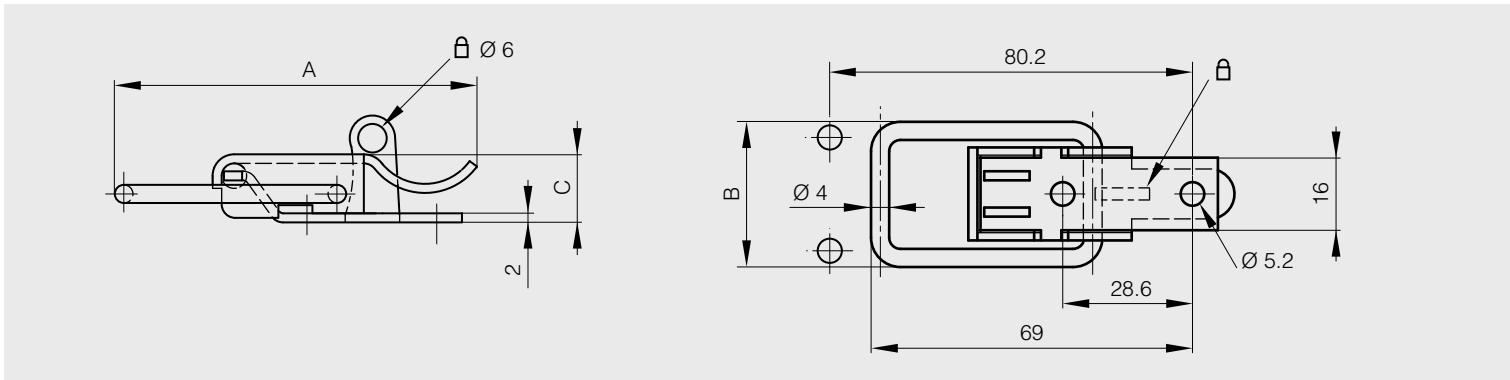


Padlockable toggle latches

These latches are used with strike part numbers 16-7-3725, 16-7-3727, 16-7-3729 and 16-7-3730 (see below)

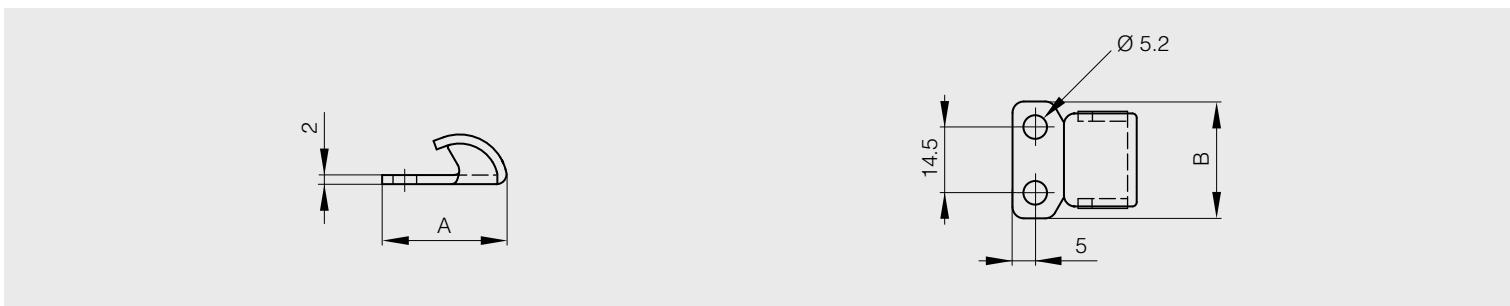


A	B	C	note	part number	material	finish	weight
80.2	32	23.5	undrilled	16-7-3719	steel	raw	55g
80.2	32	23.5	drilled	16-7-3723	steel	zinc plated	55g
80.2	32	23.5	drilled	16-7-3724	304 stainless steel	raw	55g



Strikes for part numbers 16-7-3719, 16-7-3723 and 16-7-3724

A	B	note	part number	material	finish	weight
27.4	26	undrilled	16-7-3725	steel	raw	10g
27.4	26	drilled	16-7-3729	steel	zinc plated	10g
27.4	26	undrilled	16-7-3727	304 stainless steel	raw	10g
27.4	26	drilled	16-7-3730	304 stainless steel	raw	10g

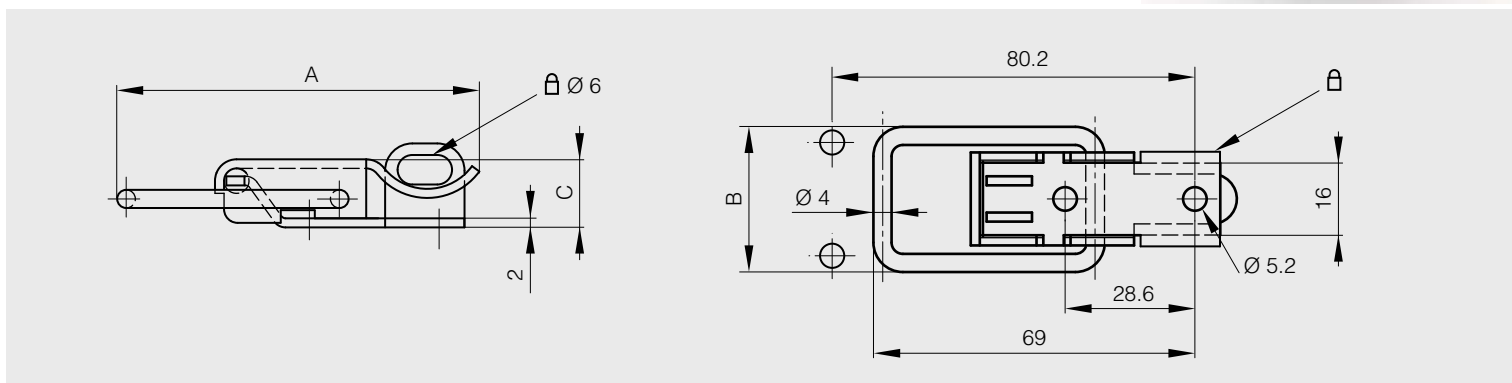




Padlockable toggle latch

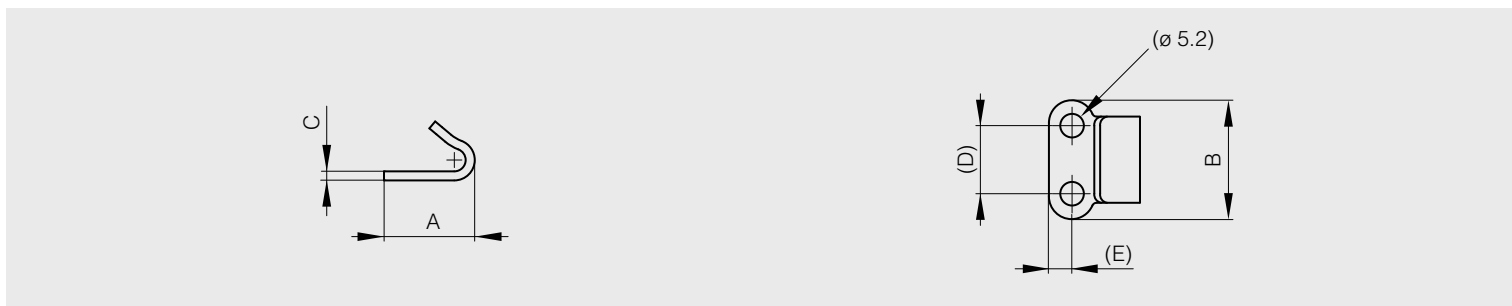
This latch is used with strike part numbers 16-7-3415 and 16-7-3419 (see below)

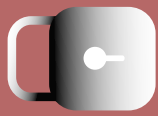
A	B	C	note	part number	material	finish	weight
80.5	32	18.5	drilled	16-7-3397	steel	raw	58.5g
80.5	32	18.5	drilled	16-7-3395	steel	zinc plated	58.5g



Strikes for part numbers 16-7-3395 and 16-7-3397

A	B	C	D	E	note	part number	material	finish	weight
20	26.2	2			undrilled	16-7-3419	steel	raw	9g
20	26.2	2	15	5.1	drilled	16-7-3415	steel	zinc plated	9g





Padlockable toggle latch

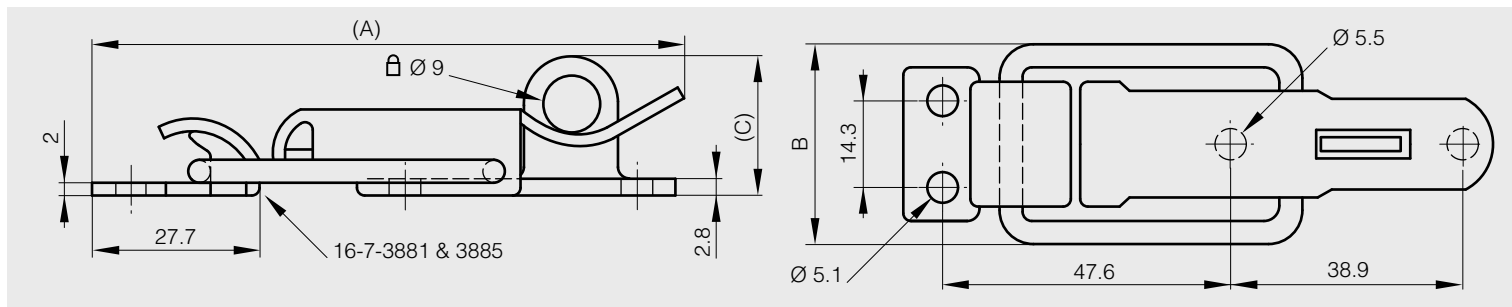
This latch is used with strike part numbers 16-7-3881 and 16-7-3885 (see below)

A	B	C	part number	material	finish	weight
97.6	33	23.1	16-7-3883	steel	zinc plated	68g
97.5	33	23.1	16-7-3884	304 stainless steel	raw	68g



Strikes for part numbers 16-7-3883 and 16-7-3884

part number	material	finish	weight
16-7-3881	steel	zinc plated	9g
16-7-3885	304 stainless steel	raw	9g



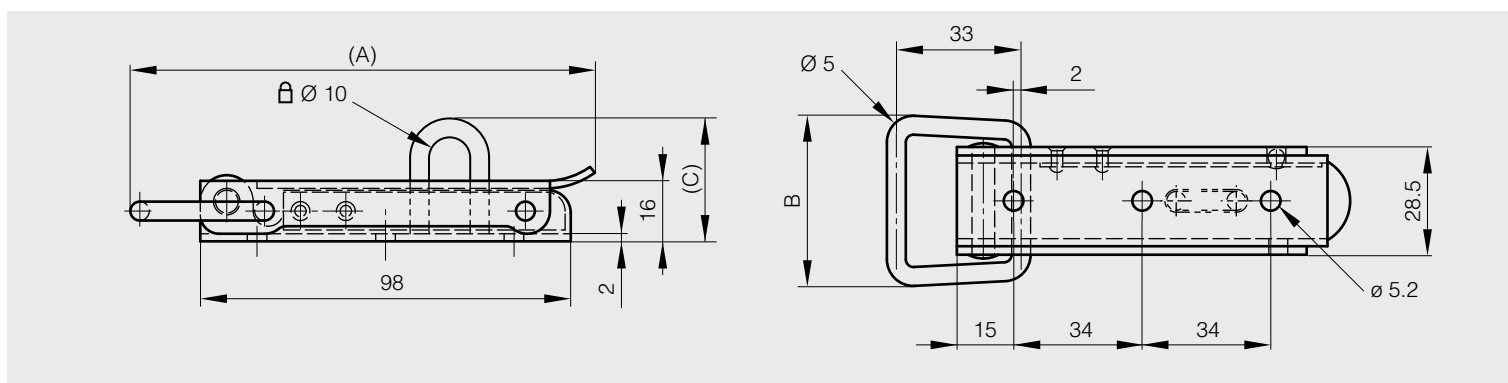


Padlockable toggle latch

This latch is used with strike part numbers 16-7-3407, 16-7-3551 and 16-7-3557
Alternative options are available (see part number 16-7-3502).

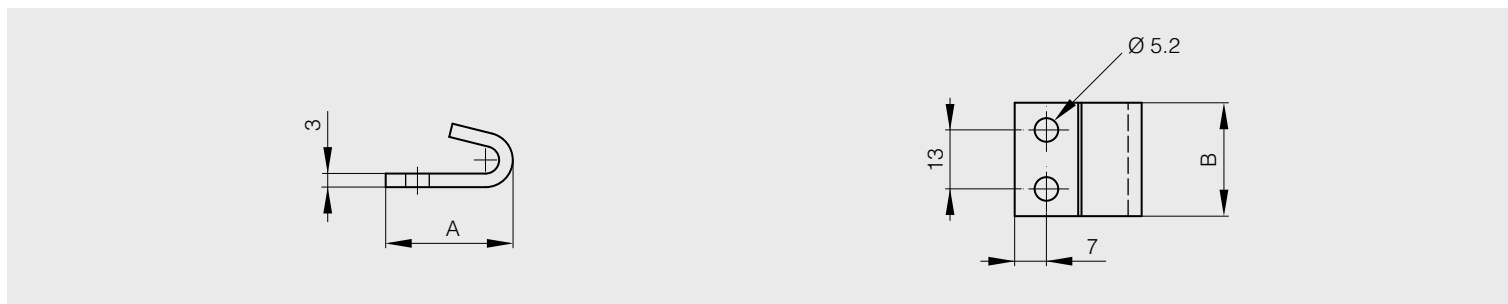


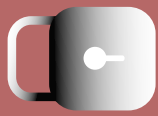
A	B	C	part number	material	finish	weight
122	45	32.5	16-7-3426	steel	raw	176g
122	45	32.5	16-7-3664	steel	zinc plated	176g



Strike for part numbers 16-7-3426 and 16-7-3664

A	B	part number	material	finish	weight
28	25	16-7-3557	steel	raw	24g
28	25	16-7-3551	steel	zinc plated	24g

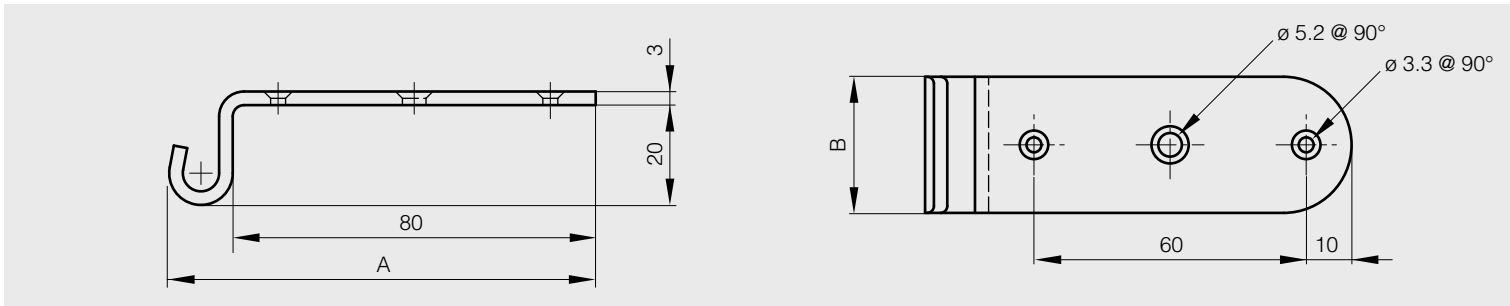




Latching systems / Toggle latches

Other strike for part numbers 16-7-3426 and 16-7-3664

A	B	S1	S2	part number	material	finish	weight
93	30	3	5	16-7-3407	steel	zinc plated	82.5g





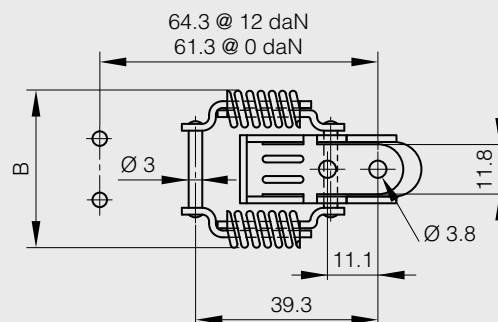
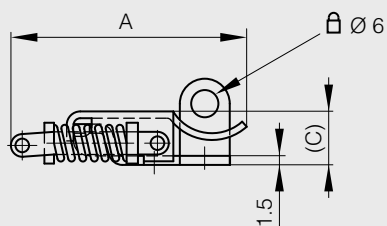
Spring loaded and padlockable toggle latch

Dimension A (52mm) without tension. Dimension A can be extended up to 3mm putting the latch under tension.

These latches are used with strike part numbers 16-7-3738, 16-7-3739, 16-7-3741 and 16-7-3742 (see below).

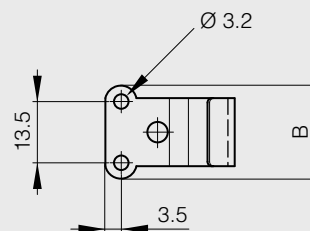
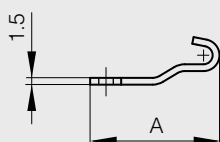


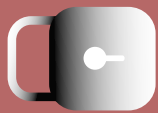
A	B	C	part number	material	finish	weight
52	34.5	19.25	16-7-3759	steel	zinc plated	32g
52	34.5	19.25	16-7-3760	304 stainless steel	raw	32g



Strikes for part numbers 16-7-3759 and 16-7-3760

A	B	note	part number	material	finish	weight
28.5	20.5	undrilled	16-7-3738	steel	zinc plated	3.5g
28.5	20.5	drilled	16-7-3741	steel	zinc plated	3.5g
28.5	20.5	undrilled	16-7-3739	304 stainless steel	raw	3.5g
28.5	20.5	drilled	16-7-3742	304 stainless steel	raw	3.5g





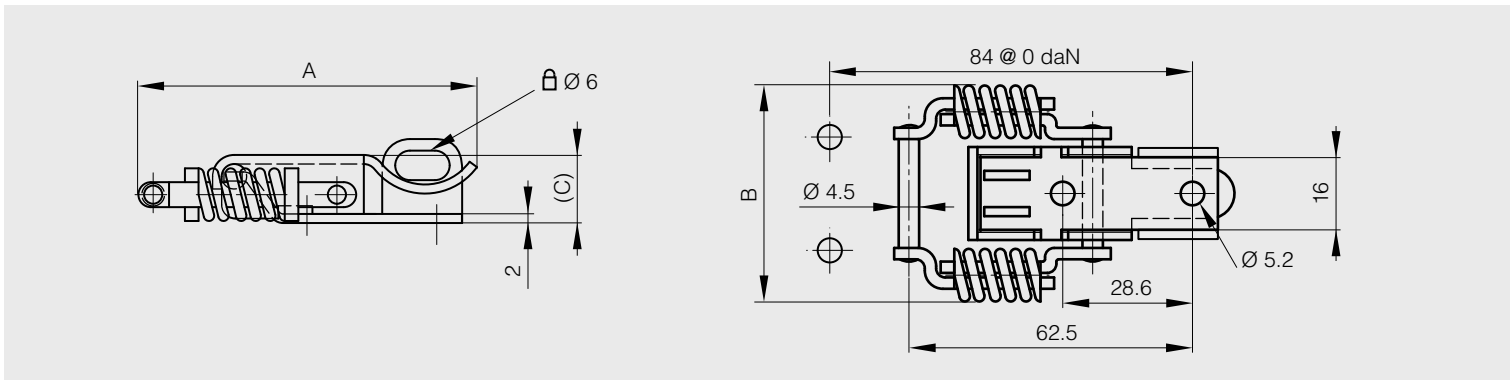
Spring loaded and padlockable toggle latch

Dimension A (74mm) without tension. Dimension A can be extended up to 4mm putting the latch under tension.

This latch is used with strike part numbers 16-7-3751, 16-7-3752, 16-7-3753 and 16-7-3754 (see below)

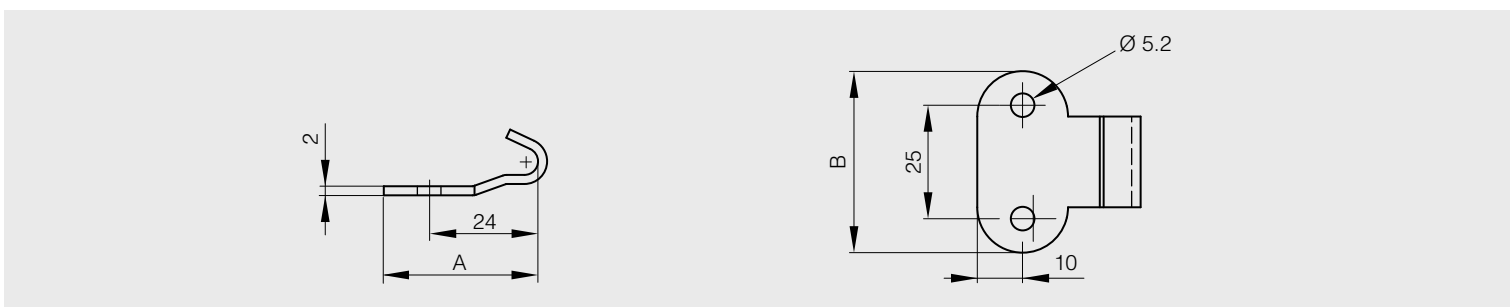


A	B	C	part number	material	finish	weight
74	47	18.5	16-7-3765	steel	zinc plated	75g
74	47	18.5	16-7-3766	304 stainless steel	raw	75g



Strikes for part numbers 16-7-3765 and 16-7-3766

A	B	note	part number	material	finish	weight
36	40	drilled	16-7-3752	steel	raw	20g
36	40	drilled	16-7-3753	steel	zinc plated	20g
36	40	undrilled	16-7-3751	304 stainless steel	raw	20g
36	40	drilled	16-7-3754	304 stainless steel	raw	20g





Spring loaded and padlockable toggle latch

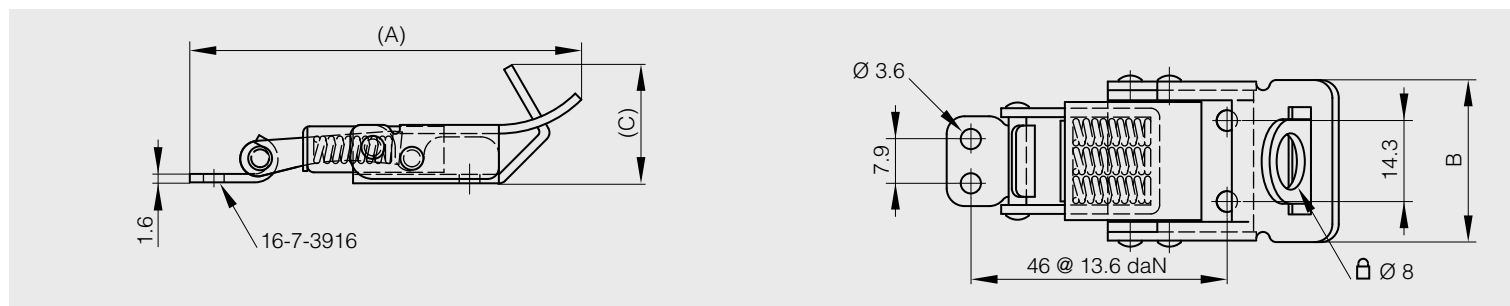
This latch is used with strike part number 16-7-3916 (see below)

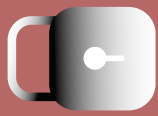
A	B	C	part number	material	finish	weight
70.9	28.7	23.1	16-7-3917	304 stainless steel	raw	50g



Strike for part number 16-7-3917

part number	material	finish	weight
16-7-3916	304 stainless steel	raw	4.5g





Adjustable toggle latch - padlockable

This latch is used with strike part numbers 16-7-3939 and 16-7-3940 (see below)

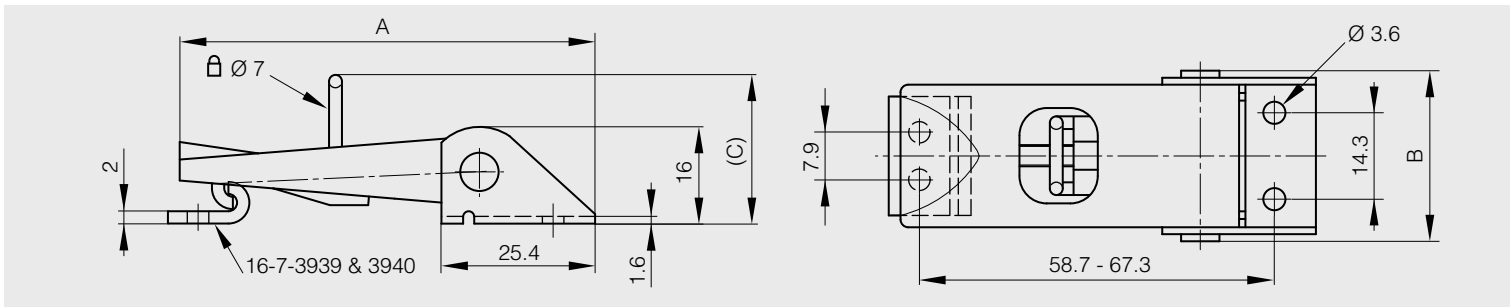
A	B	C	part number	material	finish	weight
70.6	28.2	16	16-7-3937	steel	zinc plated	50g
70.6	28.2	16	16-7-3938	304 stainless steel	raw	50g



Strike for part numbers 16-7-3937 and 16-7-3938

Strikes for part numbers 16-7-3932, 16-7-3933, 16-7-3934, 16-7-3936 16-7-3937 and 16-7-3938

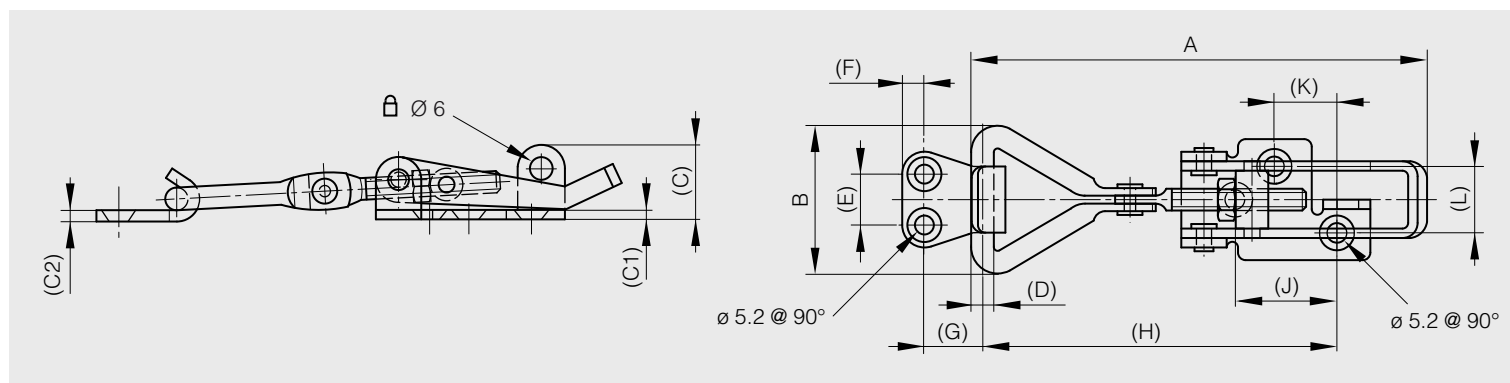
part number	material	finish	weight
16-7-3939	steel	zinc plated	4.5g
16-7-3940	304 stainless steel	raw	4.5g





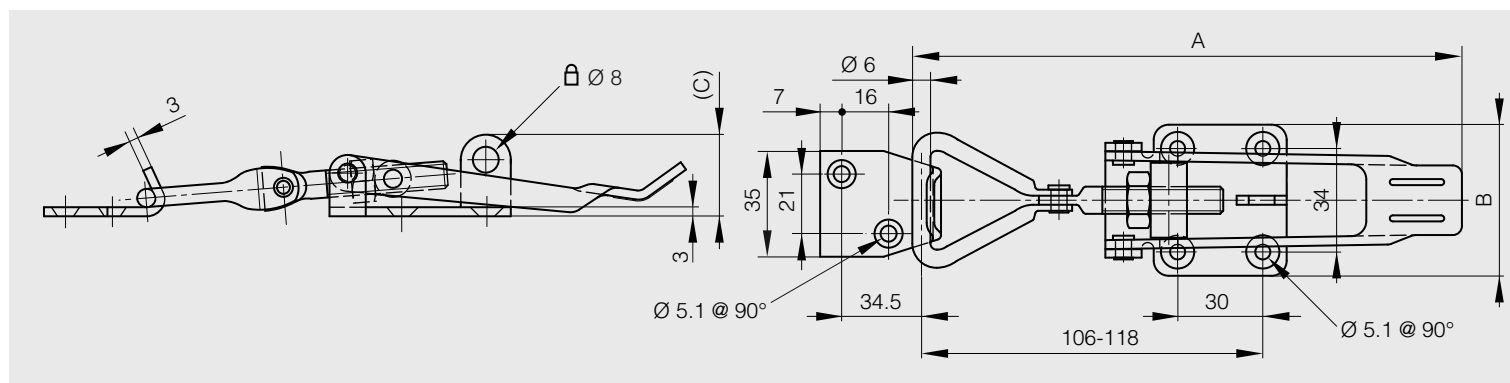
Adjustable toggle latches with strike - padlockable

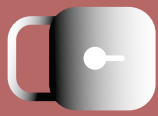
A	B	C	C1	C2	D	E	F	G	H	J	K	L	note	part number	material	finish	weight
82	27	19	2	2	4	14	5	10	62-72	22	11	14	82<A<92	16-7-4018	steel	zinc plated	48g
109	34	18	2.5	3	5	17	6.5	10	109-120	27	16	18	109<A<120	16-7-4020	steel	zinc plated	102g
117	39	22	3	2.5	6	20	6.5	18	117-128	33	15	20	117<A<128	16-7-4021	steel	zinc plated	124g
82	27	19	2	2	4	14	5	10	62-72	22	11	14	82<A<92	16-7-4025	304 stainless steel	raw	48g
109	34	18	2.5	3	5	17	6.5	10	109-120	27	16	18	109<A<120	16-7-4027	304 stainless steel	raw	102g
117	39	22	3	2.5	6	20	6.5	18	117-128	33	15	20	117<A<128	16-7-4028	304 stainless steel	raw	124g



Adjustable toggle latches with strike - padlockable

A	B	C	note	part number	material	finish	weight
174	50	27	174<A<186	16-7-4023	steel	zinc plated	236g
174	50	27	174<A<186	16-7-4030	304 stainless steel	raw	236g

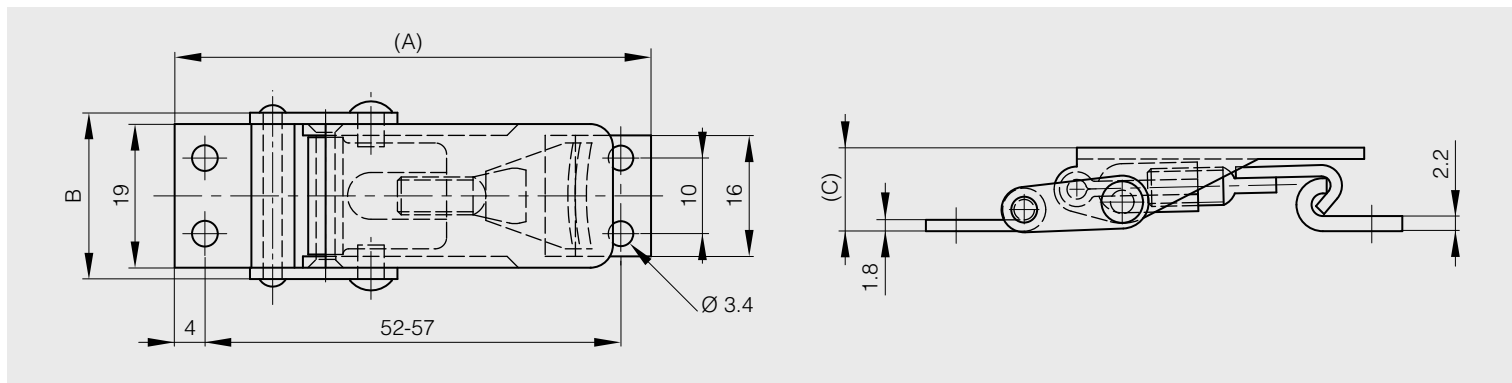




Adjustable toggle latch with strike

Dimension A is adjustable / 60mm to 65mm

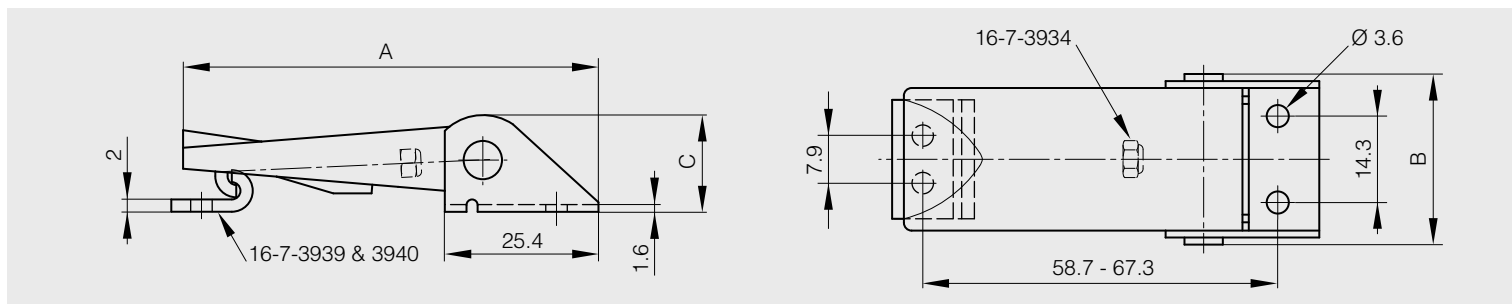
A	B	C	note	part number	material	finish	weight
60	22	10	60<A<65	16-7-3839	steel	zinc plated	36g



Adjustable toggle latches without strike

This latch is used with strike part numbers 16-7-3939 and 16-7-3940 (see below)
Part number 16-7-3934 has a lockable nut.

A	B	C	part number	material	finish	weight
70.6	28.2	16	16-7-3932	steel	zinc plated	50g
70.6	28.2	16	16-7-3934	steel	zinc plated	50g
70.6	28.2	16	16-7-3933	304 stainless steel	raw	50g



Strike for part numbers 16-7-3932, 16-7-3933 and 16-7-3934

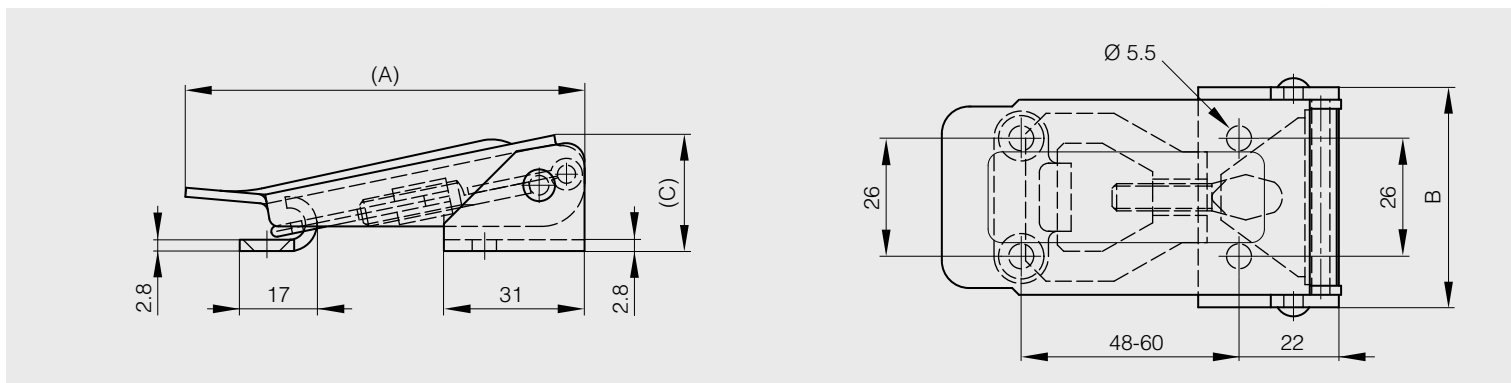
part number	material	finish	weight
16-7-3939	steel	zinc plated	4.5g
16-7-3940	304 stainless steel	raw	4.5g





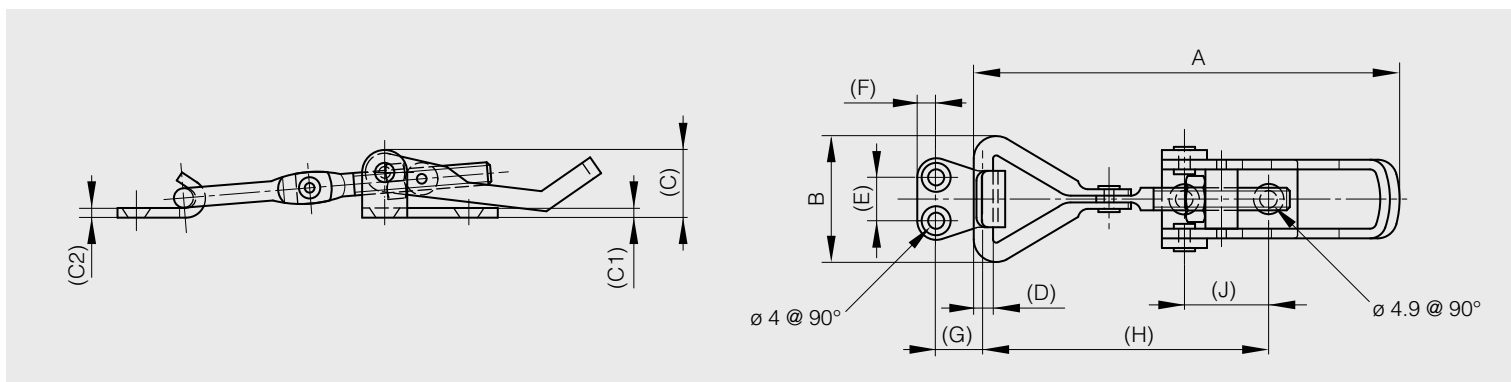
Adjustable toggle latch with strike

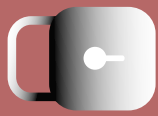
A	B	C	part number	material	finish	weight
88	48.5	26	16-7-3843	steel	zinc plated	174g
88	48.5	26	16-7-3844	304 stainless steel	raw	174g



Adjustable toggle latches with strike

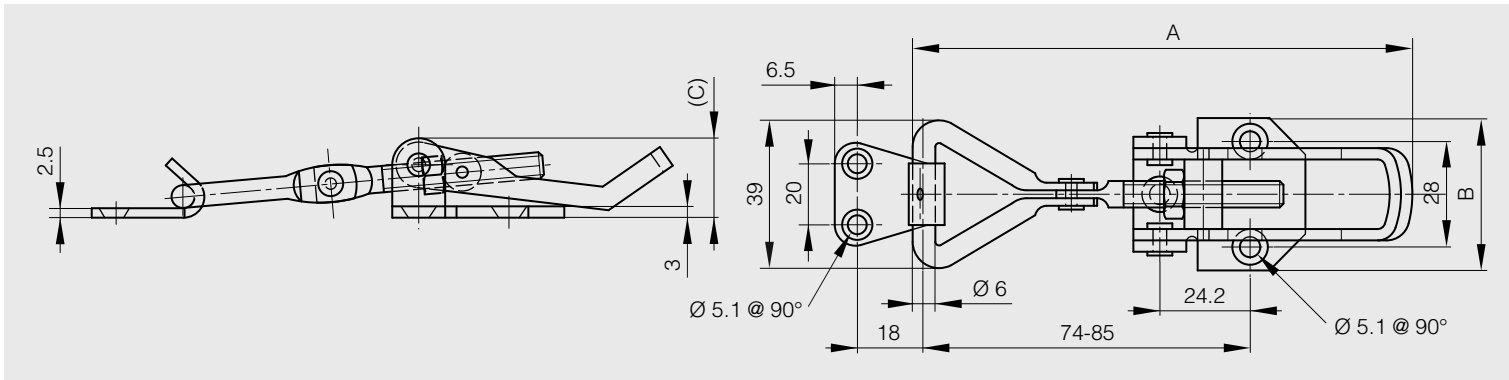
A	B	C	C1	C2	D	E	F	G	H	J	note	part number	material	finish	weight
82	28	14	2	2	4	14	5	10	52-59	18	82<A<89	16-7-4017	steel	zinc plated	46g
103	34	18	2.5	3	5	17	6.5	10	68-86	17	103<A<121	16-7-4019	steel	zinc plated	90g
82	28	14	2	2	4	14	5	10	52-59	18	82<A<89	16-7-4024	304 stainless steel	raw	46g
103	34	18	2.5	3	5	17	6.5	10	68-86	17	103<A<121	16-7-4026	304 stainless steel	raw	90g





Adjustable toggle latch with strike

A	B	C	note	part number	material	finish	weight
118	40.5	18	118<A<128	16-7-4022	steel	zinc plated	130g
118	40.5	18	118<A<128	16-7-4029	304 stainless steel	raw	130g





Adjustable toggle latch without strike

Dimension A is adjustable / 119.1mm to 133.6mm.

Aluminium mounting plate.

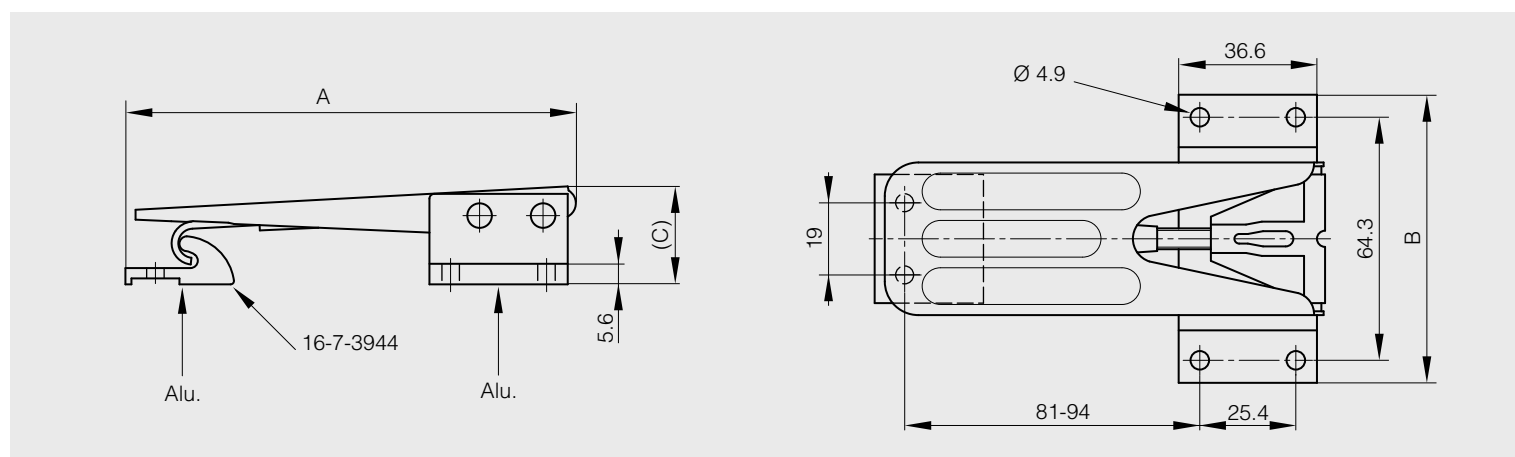
This latch is used with strike part number 16-7-3944 (see below)

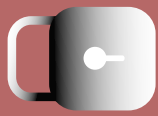
A	B	C	note	part number	material	finish	weight
119.1	76.2	25.9	119.1<A<133.6	16-7-3941	steel	zinc plated	150g



Strike for part number 16-7-3941

part number	material	finish	weight
16-7-3944	alu	raw	9g

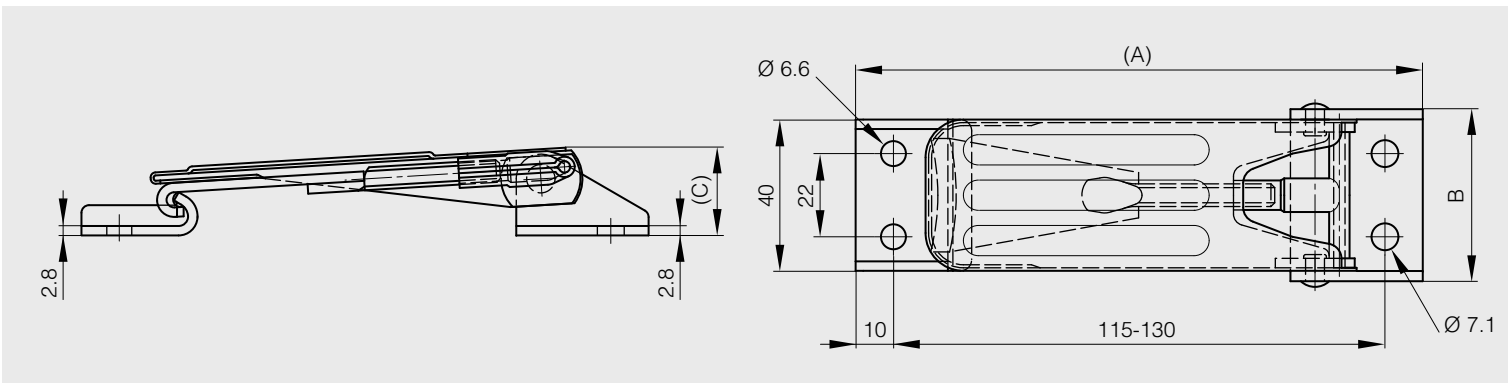




Adjustable toggle latch with strike

Dimension A is adjustable / 135mm to 150mm.

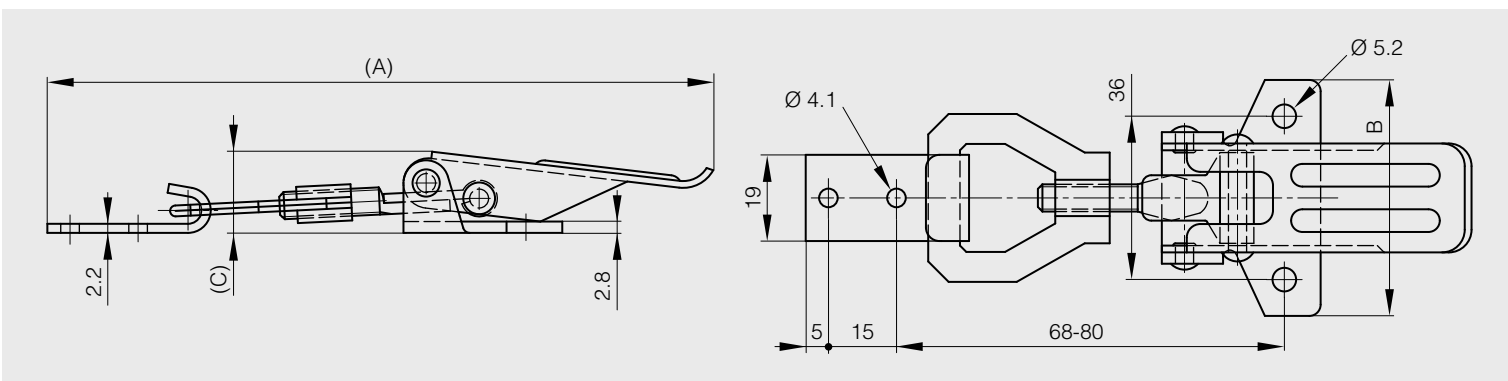
A	B	C	note	part number	material	finish	weight
135	45.5	23	135<A<150	16-7-3842	steel	zinc plated	170g



Adjustable toggle latch with strike

Dimension A is adjustable / 138mm to 150mm.

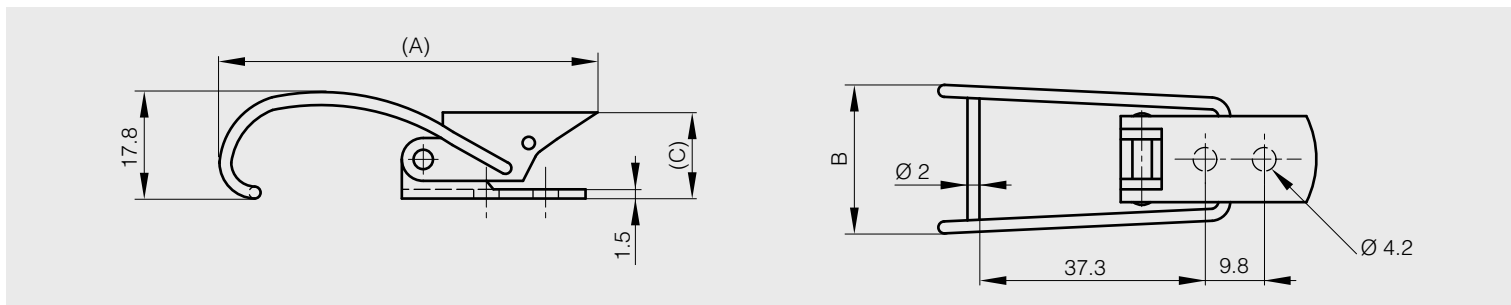
A	B	C	note	part number	material	finish	weight
138	52	18	138<A<150	16-7-3840	steel	zinc plated	100g
138	52	18	138<A<150	16-7-3841	304 stainless steel	raw	100g



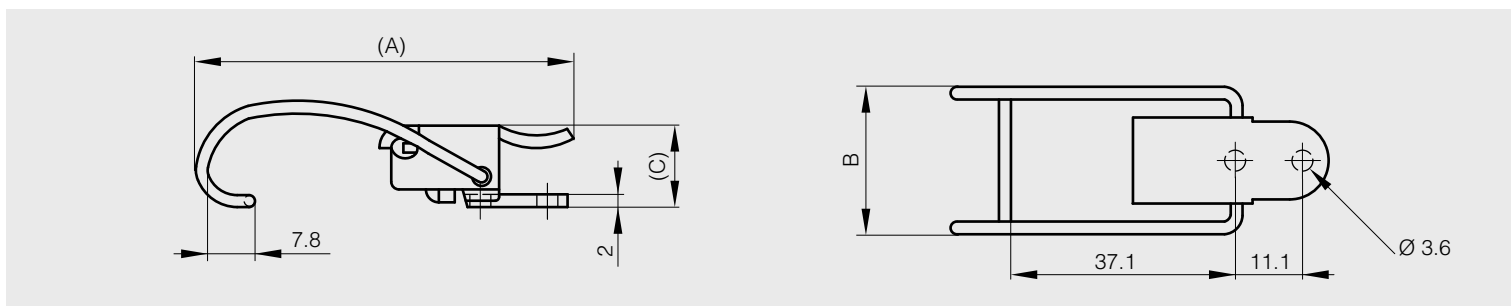


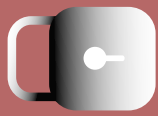
Toggle latches without strike

A	B	C	part number	material	finish	weight
62.5	24.6	14.2	16-7-3897	304 stainless steel	raw	27g



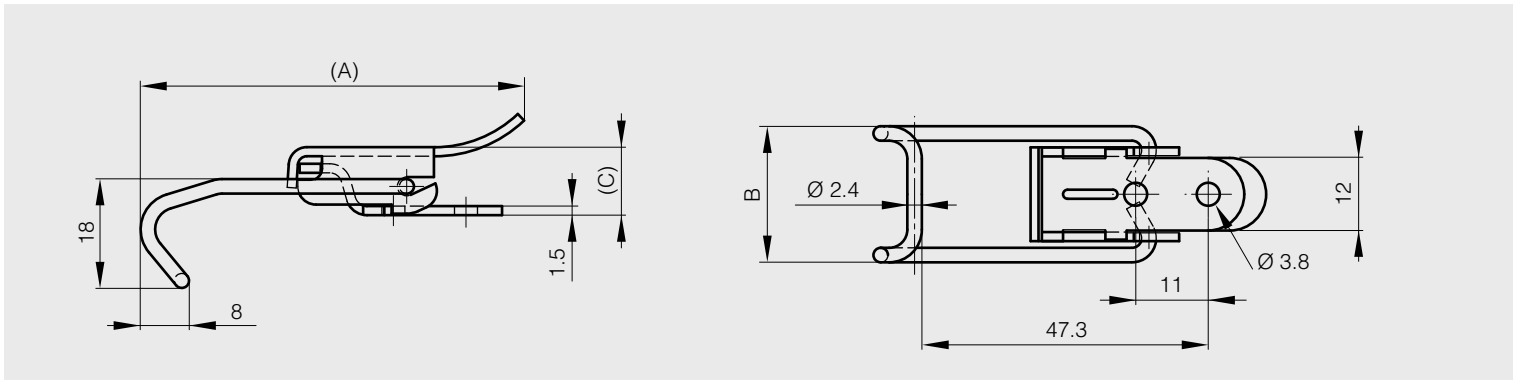
A	B	C	part number	material	finish	weight
62.5	24.4	13.5	16-7-3900	304 stainless steel	raw	27g



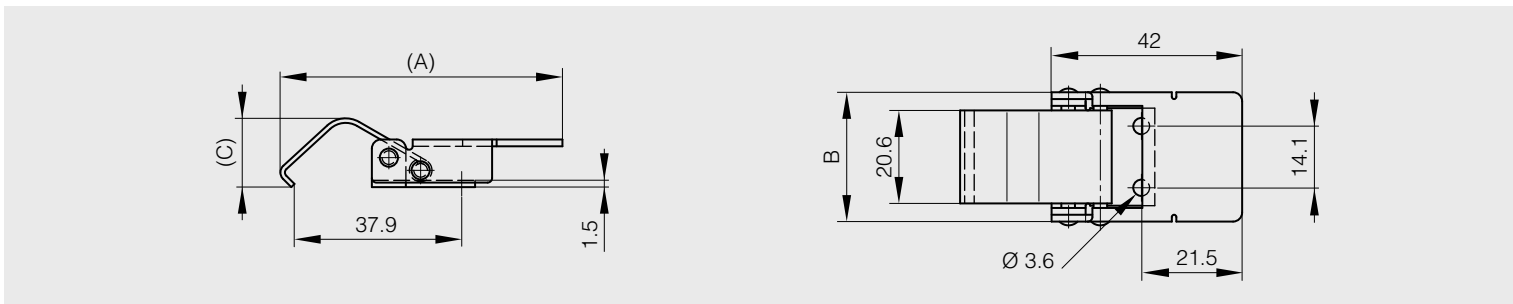


Toggle latches without strike

A	B	C	part number	material	finish	weight
63.6	22.5	11.8	16-7-3767	steel	black cataphoresis	20g



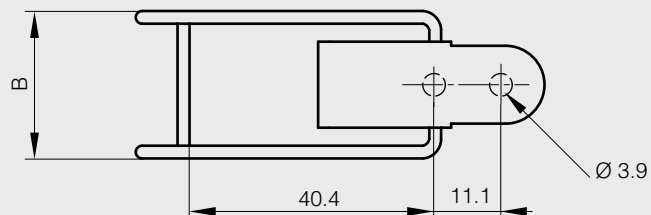
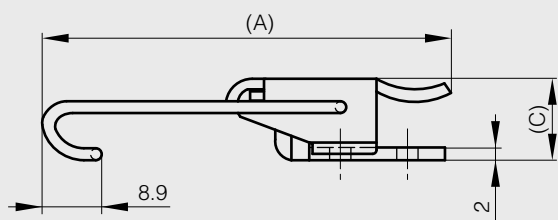
A	B	C	part number	material	finish	weight
64	28.7	14	16-7-3947	steel	zinc plated	45g
64	28.7	14	16-7-3948	stainless steel	raw	45g



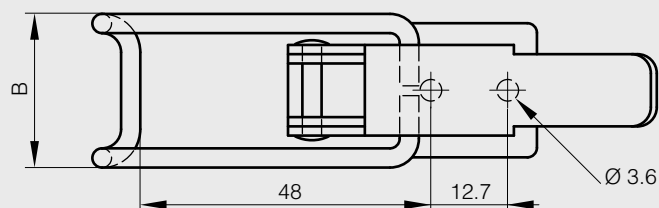
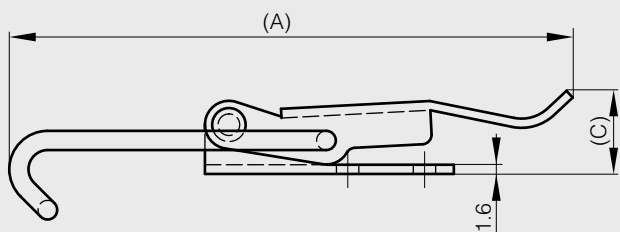


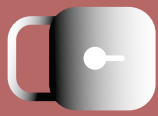
Toggle latches without strike

A	B	C	part number	material	finish	weight
67.6	25.4	13.7	16-7-3901	steel	zinc plated	32g
67.6	25.4	13.7	16-7-3902	304 stainless steel	raw	32g



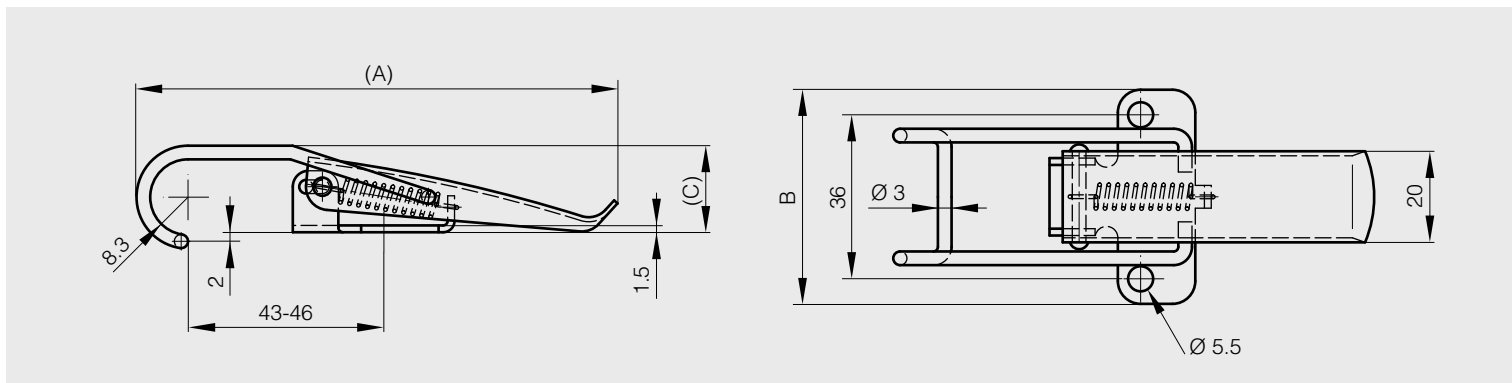
A	B	C	part number	material	finish	weight
93.2	25.4	13.7	16-7-3903	304 stainless steel	raw	32g





Toggle latch without strike

A	B	C	part number	material	finish	weight
106	47	19.5	16-7-3768	steel	black cataphoresis	42g





Alternative strike for toggle latches

A	B	part number	material	finish	weight
21.4	22.4	16-7-3872	304 stainless steel	raw	9g

