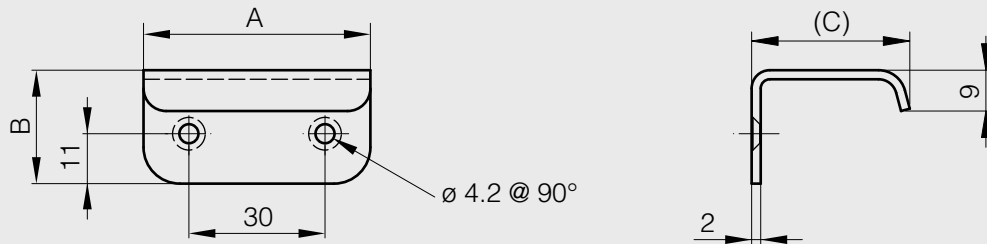




# Grab handles

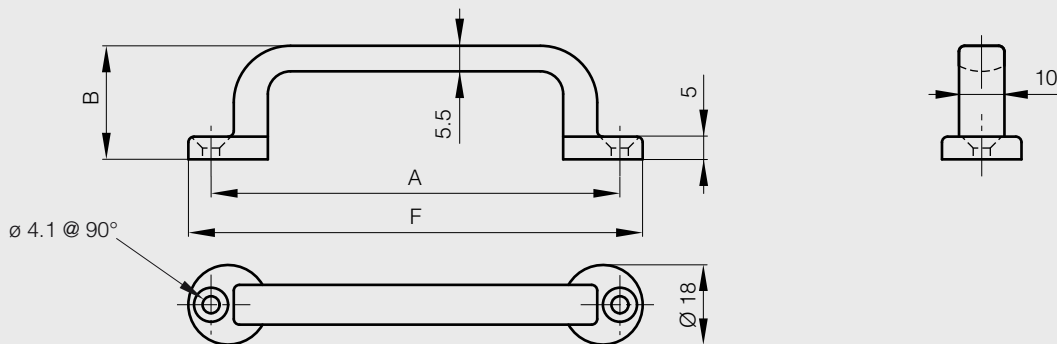
## Front mounted grab handles

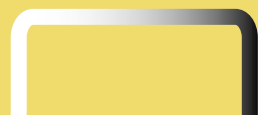
A	B	C	part number	material	finish	weight
50	25	35	19-1-3798	steel	chrome plated	46g



Complete with wood screws

A	B	F	part number	material	finish	weight
88	25	100	19-7-3693	304 stainless steel	mirror polished	68.5g



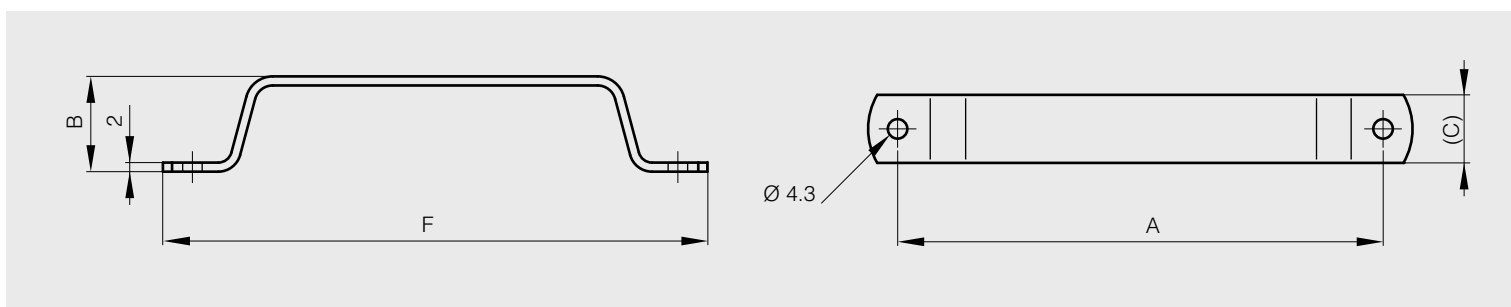


# Grab handles

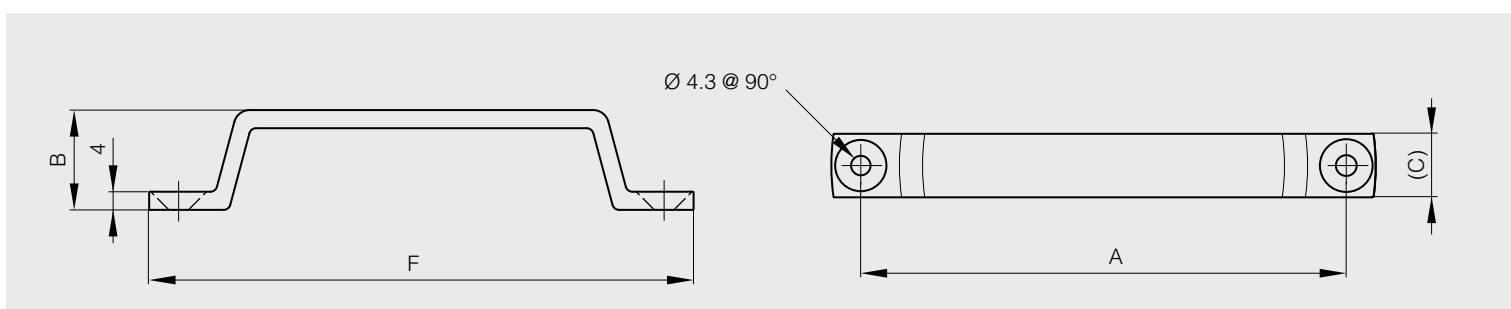
## Front mounted grab handles

Handle made from galvanised steel is pregalvanised. Therefore any cut surface is ungalvanised.

A	B	C	F	part number	material	finish	weight
107	21	15	120	<b>19-1-3807</b>	galvanised steel	raw	32g
107	21	15	120	<b>19-1-3797</b>	304 stainless steel	deburred	32g



A	B	C	F	part number	material	finish	weight
107	22	14	120	<b>19-7-3639</b>	zinc die-cast	chrome plated	40g

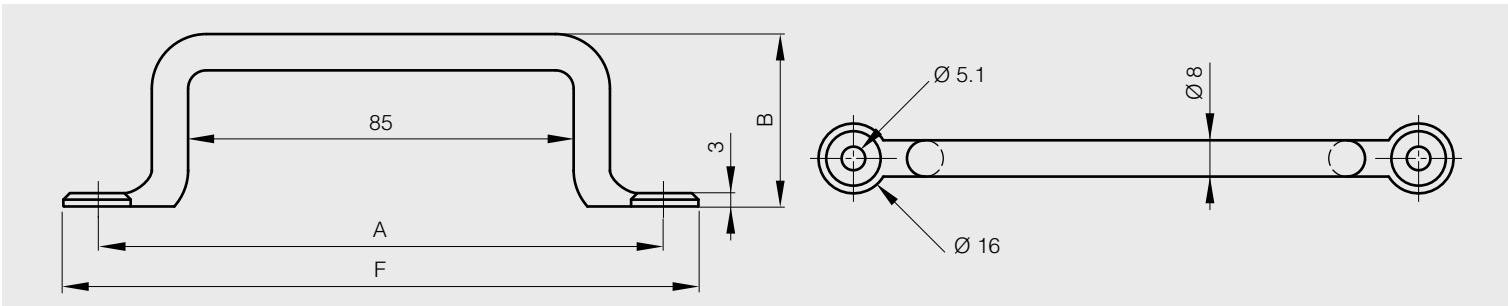




# Grab handles

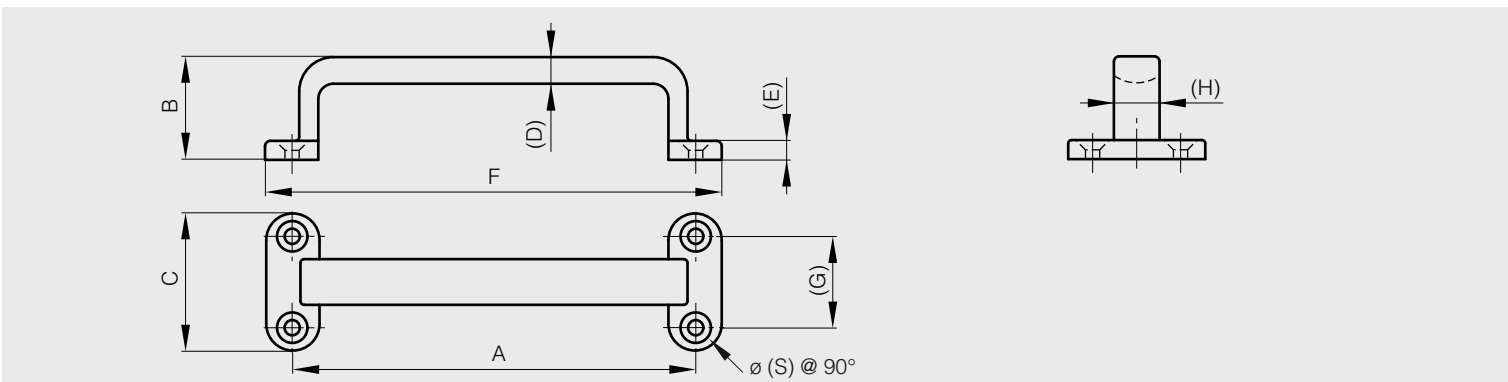
## Front mounted grab handles

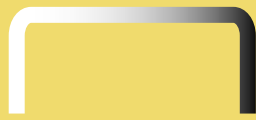
A	B	F	part number	material	finish	weight
125	38	140	19-7-3343	steel	zinc plated	68g



Complete with wood screws

A	B	C	D	E	F	G	H	S	part number	material	finish	weight
106	27	24	7	5	120	24	12	4.1	19-7-3694	304 stainless steel	mirror polished	131g
126	33	30	8	6	150	30	15	5.3	19-7-3695	304 stainless steel	mirror polished	242g

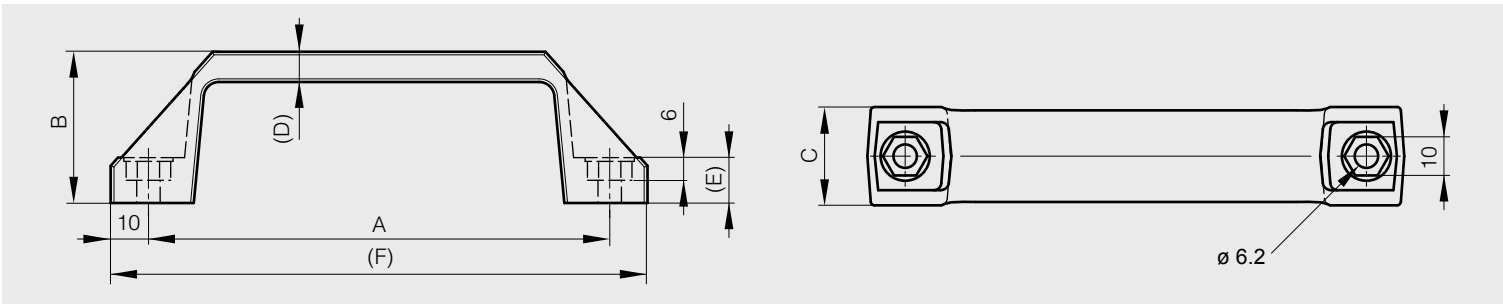




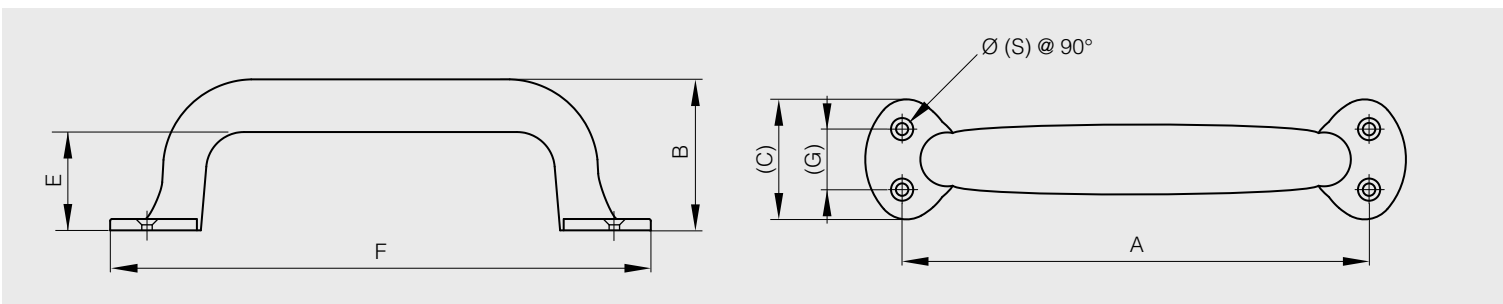
# Grab handles

## Front mounted grab handles

A	B	C	D	E	F	part number	material	finish	weight
122	40	26	8	12	142	<b>87-7-2201</b>	polyamide	matt black	40g
150	52	28	10	13	170	<b>87-7-2203</b>	polyamide	matt black	75g



A	B	C	E	F	G	S	part number	material	finish	weight
124	53	36	26	143	16	4	<b>19-7-3303</b>	steel	raw	37g
137	53	36	26	158	20	5	<b>19-7-3304</b>	steel	raw	49g
124	53	36	26	143	16	4	<b>19-7-3307</b>	steel	nickel plated	37g
137	53	36	26	158	20	5	<b>19-7-3308</b>	steel	nickel plated	49g

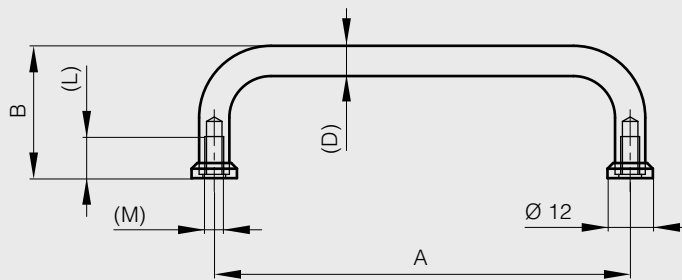




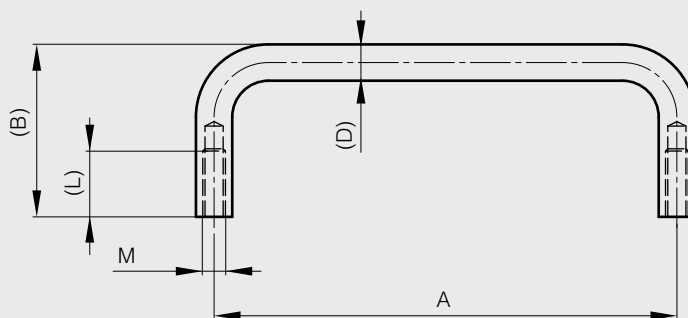
# Grab handles

## Rear mounted handles

A	B	D	L	M	part number	material	finish	weight
110	35	8	11	5	19-1-3424	304 stainless steel	polished	61g



A	B	D	L	M	part number	material	finish	weight
92	32	10	10	5	19-1-3425	alu	polished	26g
108	39	10	10	4	19-1-3672	alu	polished	30g

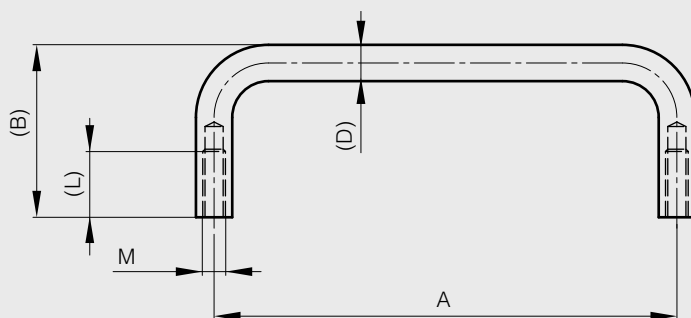




# Grab handles

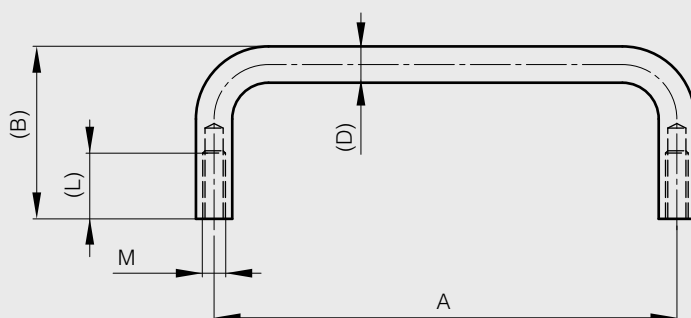
## Rear mounted handles

A	B	D	L	M	part number	material	finish	weight
52	34	8	10	4	19-7-3683	alu	clear anodised	14g
80	34	8	12	4	19-7-3684	alu	clear anodised	17g
100	30	7	8	4	19-7-3409	alu	polished	14g
100	34	8	12	4	19-7-3685	alu	clear anodised	20g
100	30	7	8	4	19-7-3410	brass	chrome plated	44g
100	30	7	8	4	19-7-3411	brass	nickel plated	44g
120	34	8	10	4	19-7-3686	alu	clear anodised	23g



For use with M4 screws

A	B	D	L	M	part number	material	finish	weight
95	28	9	8	4	19-7-3701	304 stainless steel	raw	76g
120	28	9	8	4	19-7-3700	304 stainless steel	raw	88g
150	28	9	8	4	19-7-3699	304 stainless steel	raw	103g

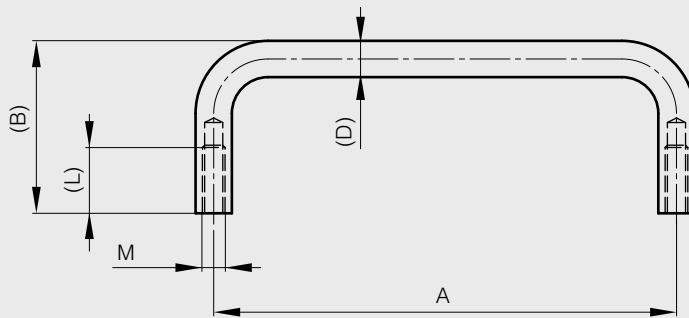




# Grab handles

## Rear mounted handles

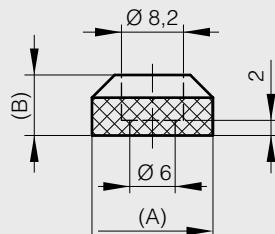
A	B	D	L	M	part number	material	finish	weight
102	38	8	14	5	19-1-3569	steel	chrome plated	70g
153	38	8	14	5	19-1-3570	steel	chrome plated	90g
204	38	8	14	5	19-1-3571	steel	chrome plated	105g

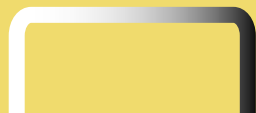


## Knurled collar

For use with handles part numbers 19-1-3569, 19-1-3570 and 19-1-3571

A	B	part number	material	finish	weight
16	8	19-1-3572	brass	chrome plated	10g

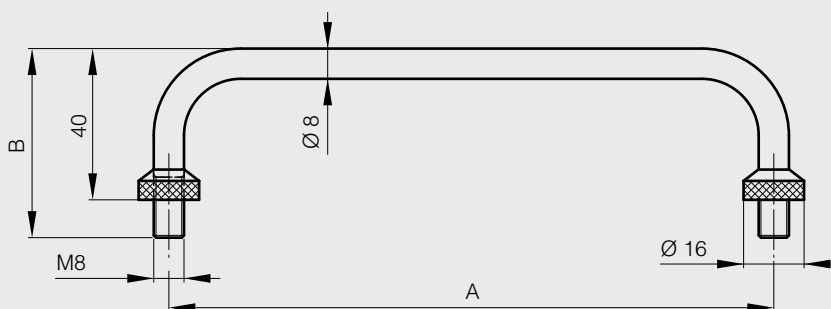




# Grab handles

## Rear mounted handles

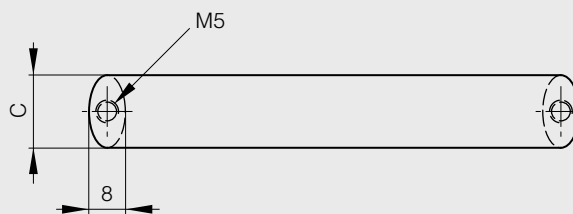
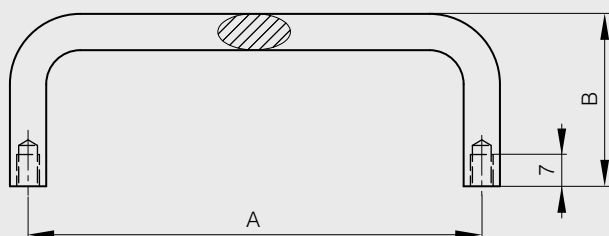
A	B	part number	material	finish	weight
160	50	19-1-3390	brass	chrome plated	114g



## Rear mounted handles

**new!**

A	B	C	part number	material	finish	weight
75	38	16	19-1-9001	alu	black	34g
100	38	16	19-1-9002	alu	black	45g
150	38	16	19-1-9003	alu	black	68g





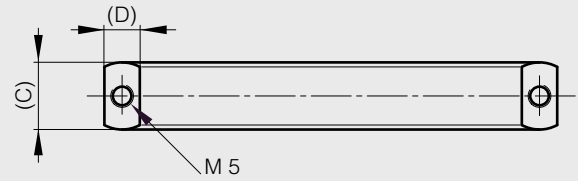
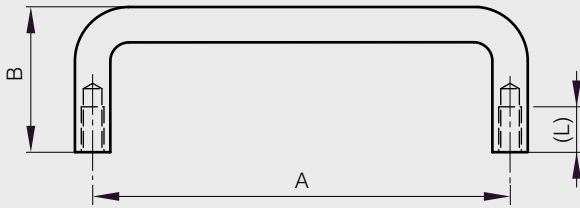


# Grab handles

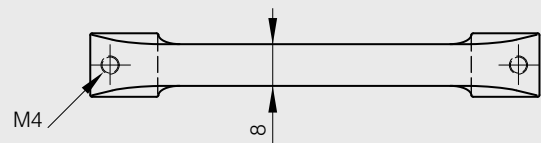
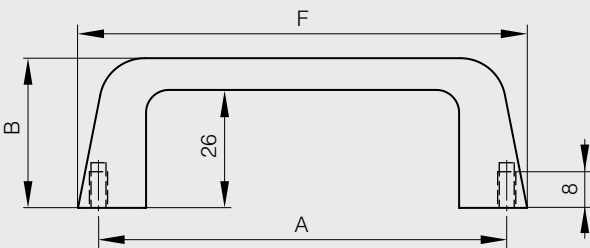
## Rear mounted handles

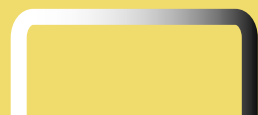
Complete with M5 screws

A	B	C	D	L	part number	material	finish	weight
92	32	14.8	7.8	10	<b>19-1-3833</b>	316 stainless steel	mirror polished	120g
100	40	14	8	11	<b>19-7-3696</b>	304 stainless steel	mirror polished	120g
110	32	14.8	7.8	10	<b>19-1-3834</b>	316 stainless steel	mirror polished	120g
150	50	14	8	11	<b>19-7-3697</b>	304 stainless steel	mirror polished	174g
200	50	14	8	11	<b>19-7-3698</b>	304 stainless steel	mirror polished	210g



A	B	F	part number	material	finish	weight
90	33	99	<b>19-7-3426</b>	zinc die-cast	chrome plated	52.5g

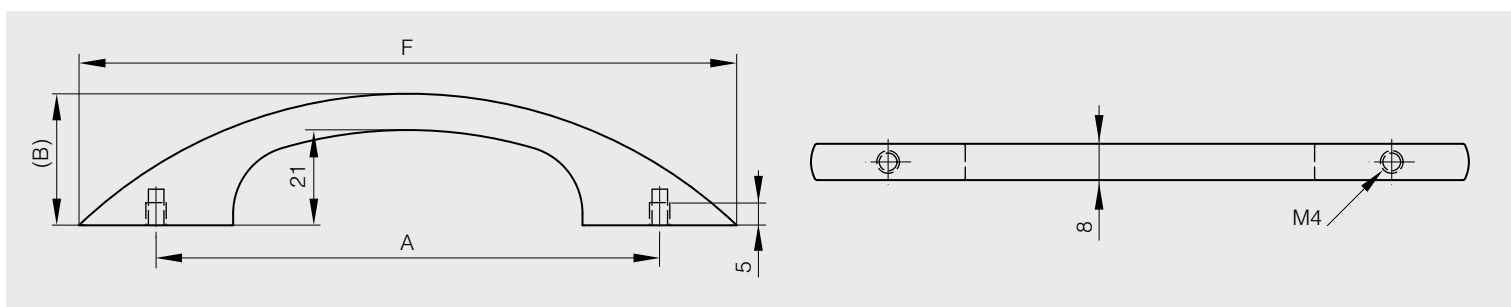




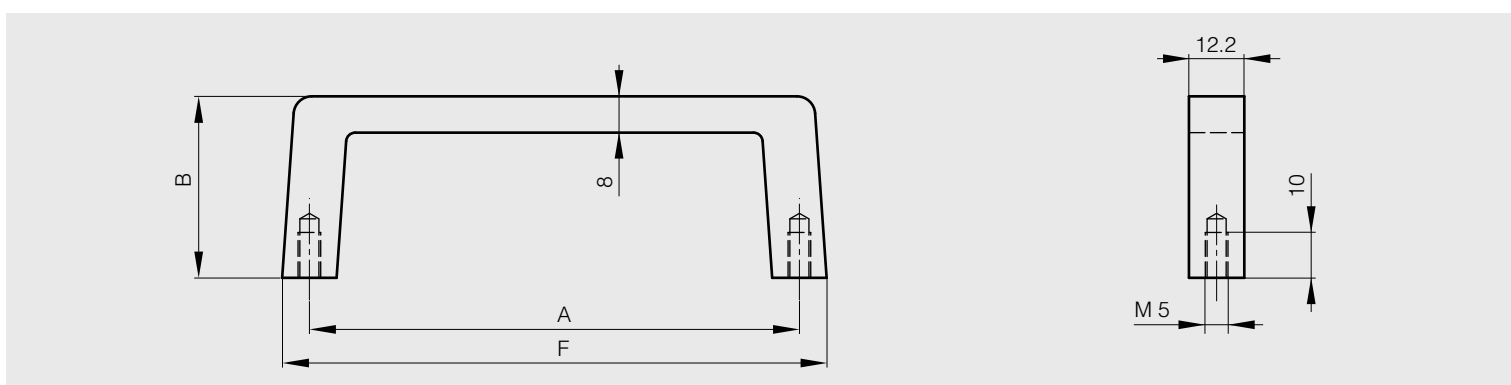
# Grab handles

## Rear mounted handles

A	B	F	part number	material	finish	weight
111	29	145	19-7-3527	zinc die-cast	chrome plated	54.8g



A	B	F	part number	material	finish	weight
88	40	102	19-7-3644	alu	matt black	50g
120	40	134	19-7-3645	alu	matt black	60g



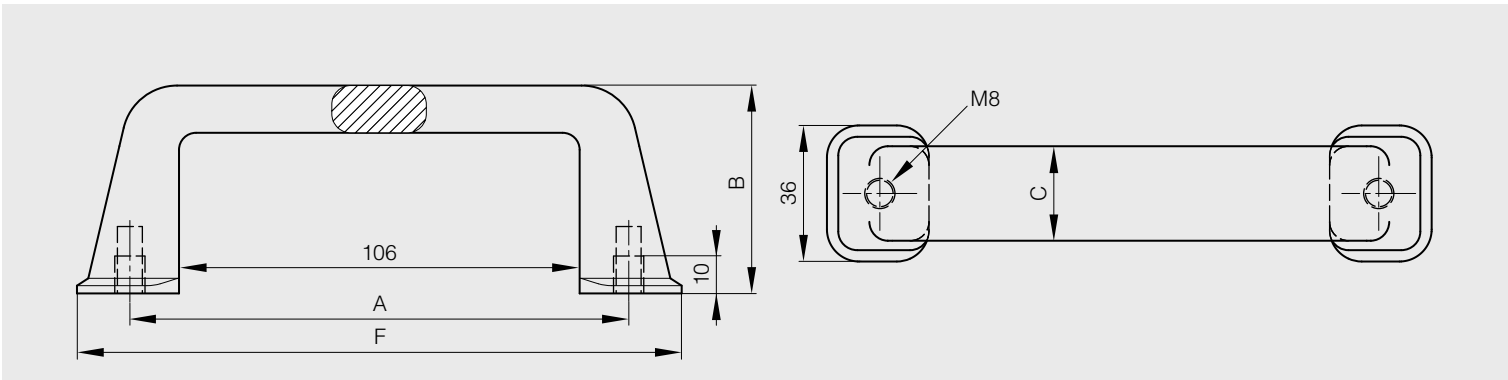


# Grab handles

## Moulded grab handle - rear mounted

**new!**

A	B	C	F	part number	material	finish	weight
132	55	25	160	19-1-9000	polyamide	black	86g



## Rear mounted handles

A	B	F	part number	material	finish	weight
160	26	174	19-7-3385	zinc die-cast	chrome plated	84g
160	26	174	19-7-3387	zinc die-cast	matt black	84g

