

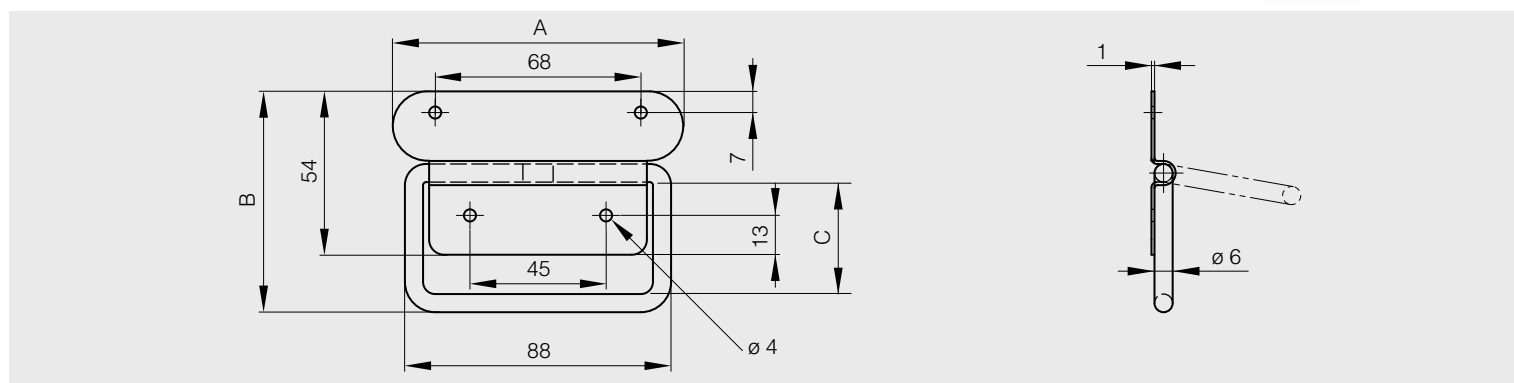


Drop handles

Drop handles

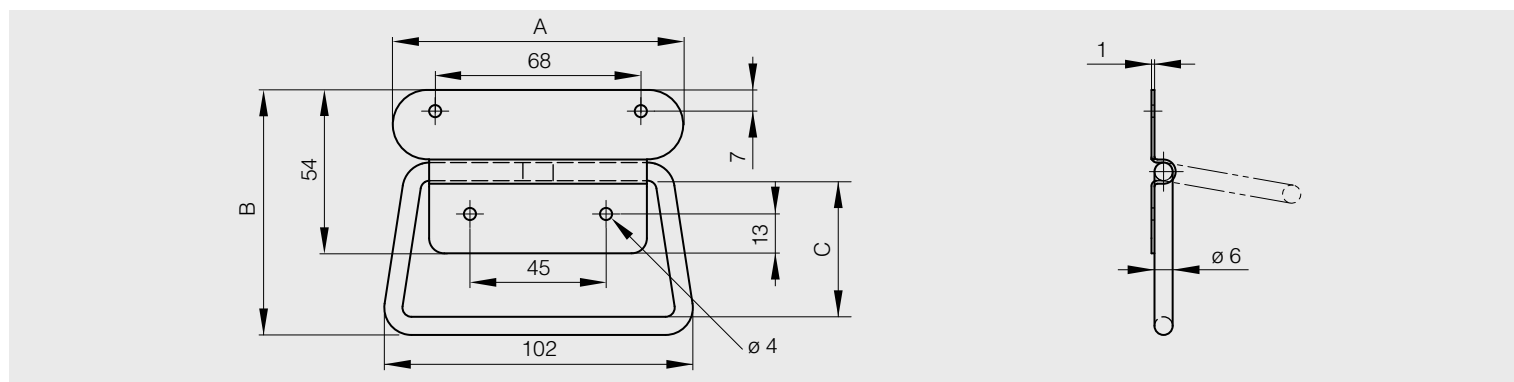
Maximum load : 25kg
With 80° stop.

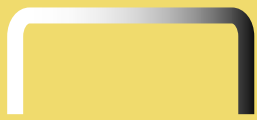
A	B	C	note	part number	material	finish	weight
96	61	37	undrilled	19-7-3339	steel	raw	77g
96	61	37	drilled	19-7-3637	steel	zinc plated	77g



Maximum load : 25kg
With 80° stop.

A	B	C	note	part number	material	finish	weight
96	71	51	undrilled	19-7-3340	steel	raw	107g
96	71	51	drilled	19-7-3633	steel	zinc plated	107g



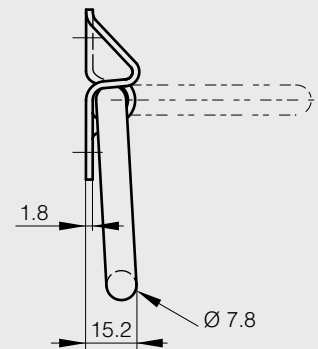
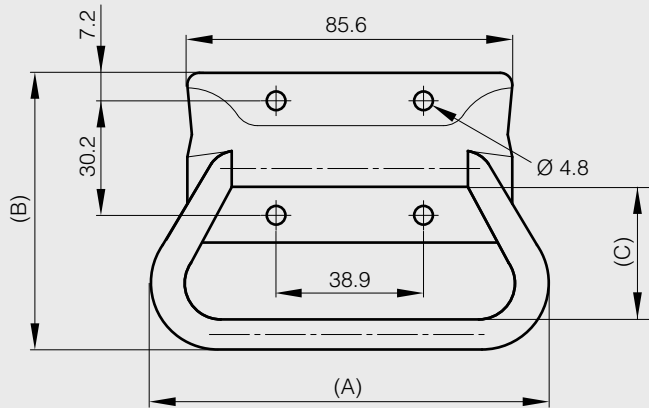


Drop handles

Drop handle

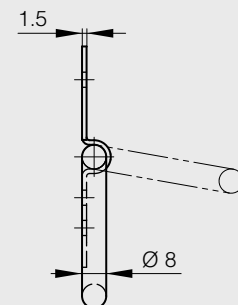
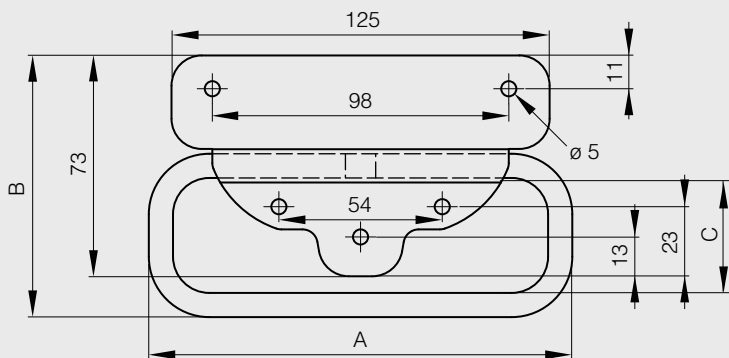
Maximum load : 90kg.
With 90° stop.

A	B	C	part number	material	finish	weight
104.8	73.7	34.9	19-7-3721	steel	zinc plated	181g



Maximum load : 60kg
With 80° stop.

A	B	C	part number	material	finish	weight
140	87	38	19-7-3341	steel	raw	180g
140	87	38	19-7-3638	steel	zinc plated	180g





Drop handles

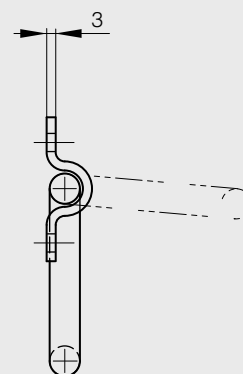
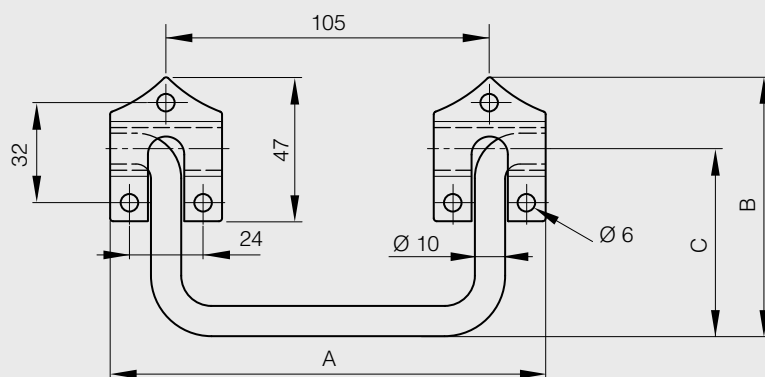
Drop handles

Maximum load : 60kg

With 80° stop.

Also available with fixing plate (see below).

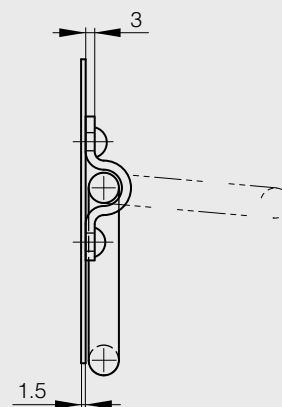
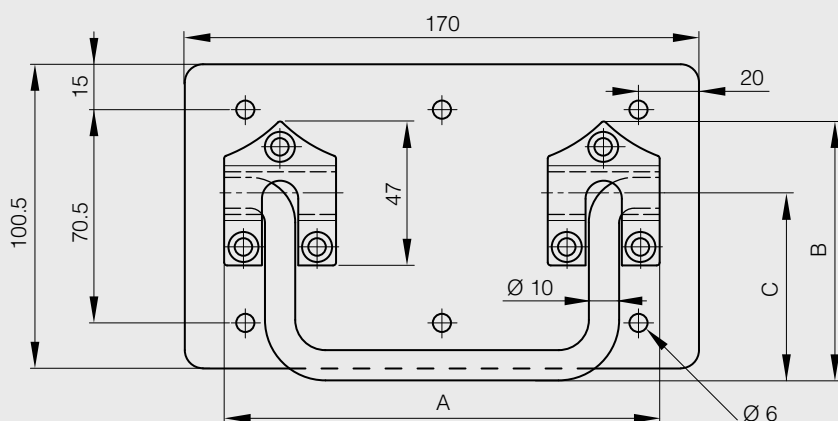
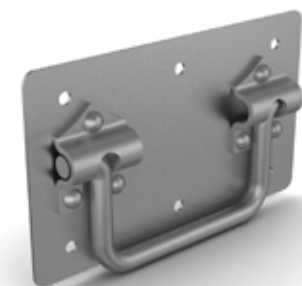
A	B	C	part number	material	finish	weight
141	85	62	19-7-3332	steel	raw	205.5g
141	85	62	19-7-3648	steel	zinc plated	205.5g

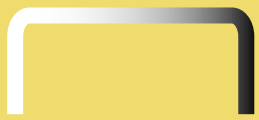


Maximum load : 60kg

With 80° stop.

A	B	C	part number	material	finish	weight
141	85	62	19-7-3331	steel	raw	502g
141	85	62	19-7-3626	steel	zinc plated	502g



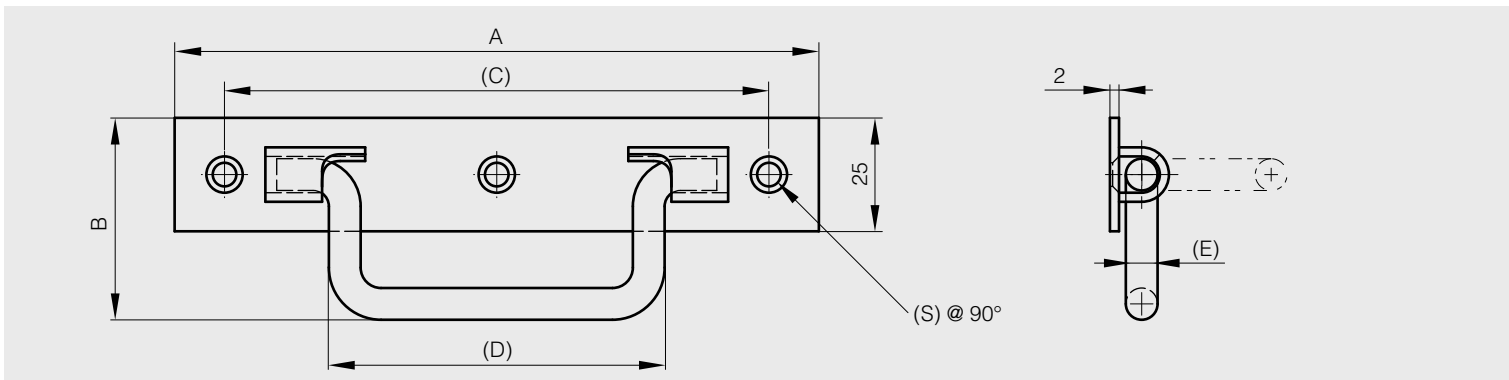


Drop handles

Drop handles

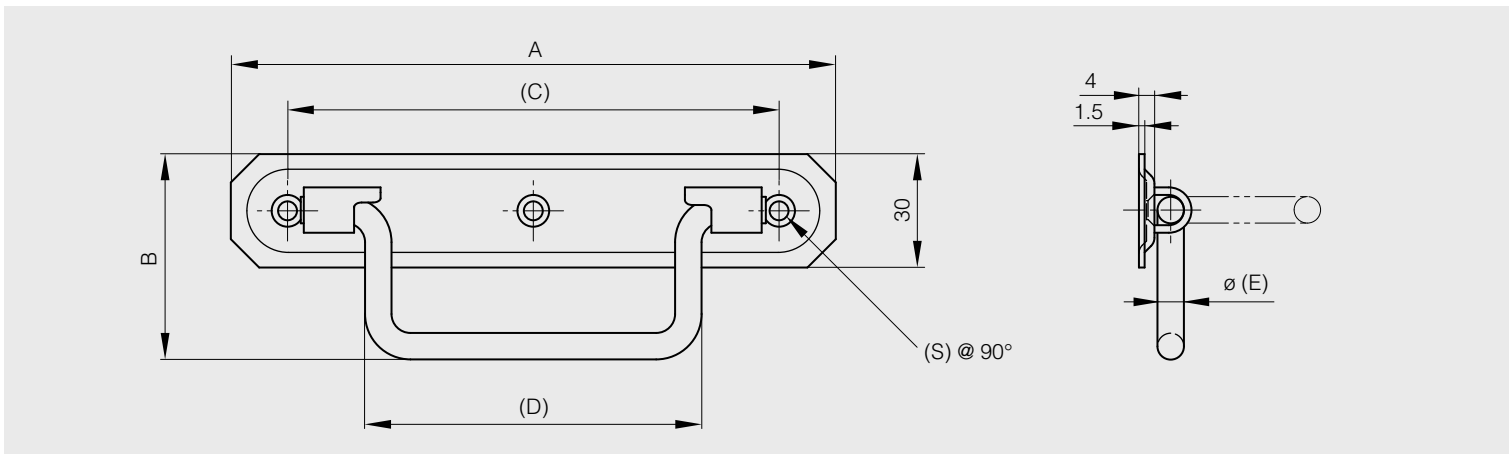
With 90° stop.

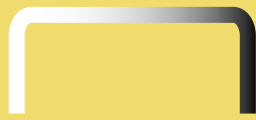
A	B	C	D	E	S	note	part number	material	finish	weight
142	44.5	120	74	7	5.2	load : 35 kg	19-7-3333	steel	raw	115g
160	49.6	138	93.5	8	5.2	load : 45 kg	19-7-3334	steel	raw	142g
187	49.6	162	109	8	5.2	load : 45 kg	19-7-3335	steel	raw	155g
142	44.5	120	74	7	5.2	load : 35 kg	19-7-3515	steel	zinc plated	115g
160	49.6	138	93.5	8	5.2	load : 45 kg	19-7-3535	steel	zinc plated	142g
187	49.6	162	109	8	5.2	load : 45 kg	19-7-3649	steel	zinc plated	155g



With 90° stop.

A	B	C	D	E	S	note	part number	material	finish	weight
160	54	130	89	7	5.2	load : 35 kg / chamfered angles	19-7-3690	304 stainless steel	raw	120g





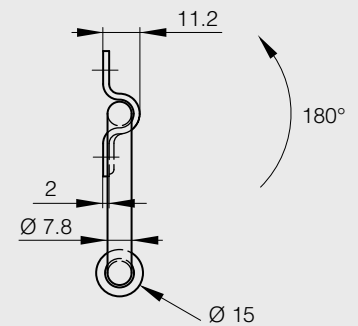
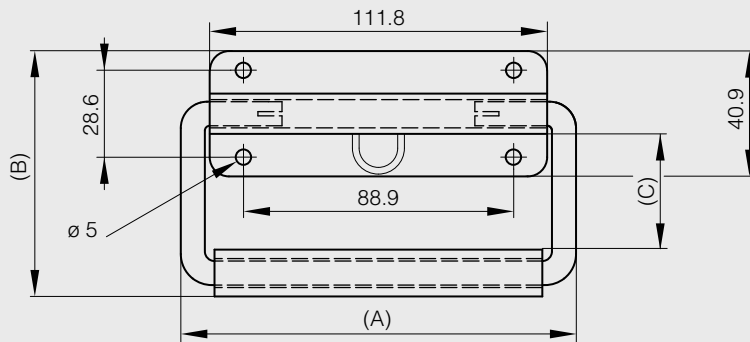
Drop handles

Drop handle

Maximum load : 68kg.
With 180° stop.
Rubber grip.



A	B	C	part number	material	finish	weight
130	80	38.1	19-7-3706	steel	zinc plated	227g





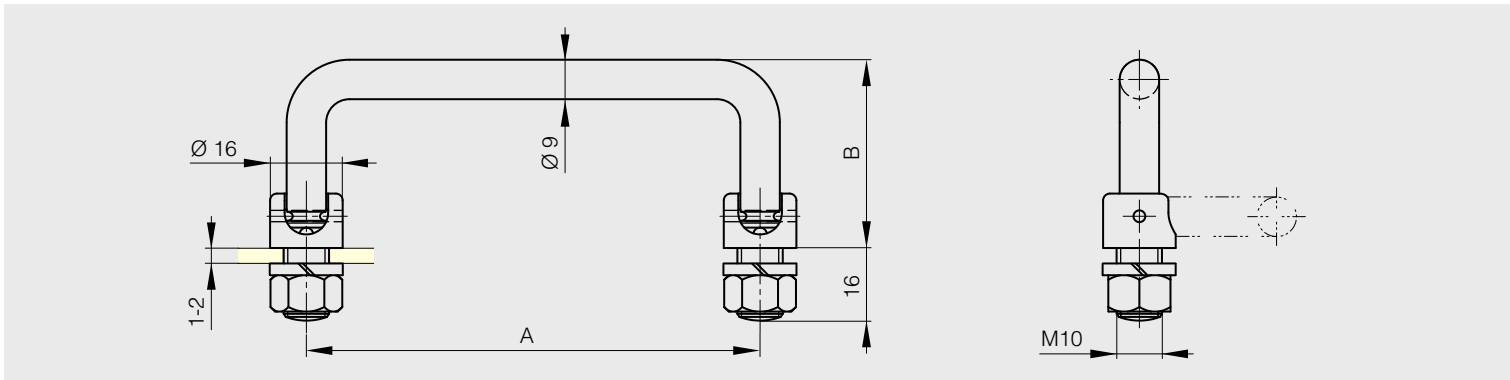
Drop handles

Folding handles with stop in open position

new!

With 90° stop.

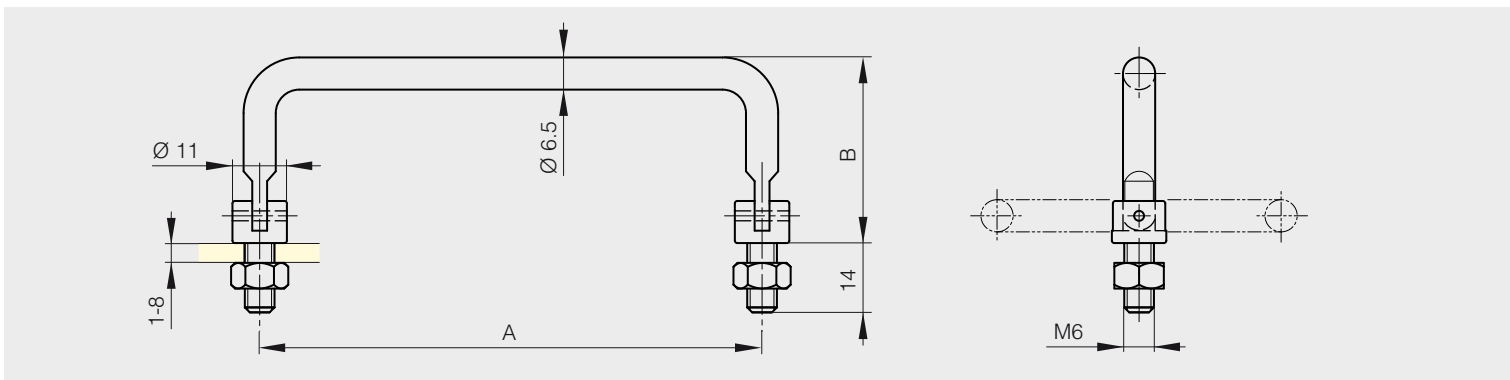
A	B	part number	material	finish	weight
100	41.5	19-1-9004	steel	chrome plated	120g
135	41.5	19-1-9005	steel	chrome plated	150g



Folding handle

new!

A	B	part number	material	finish	weight
101.5	37.5	19-1-9006	alu	black anodised	54g



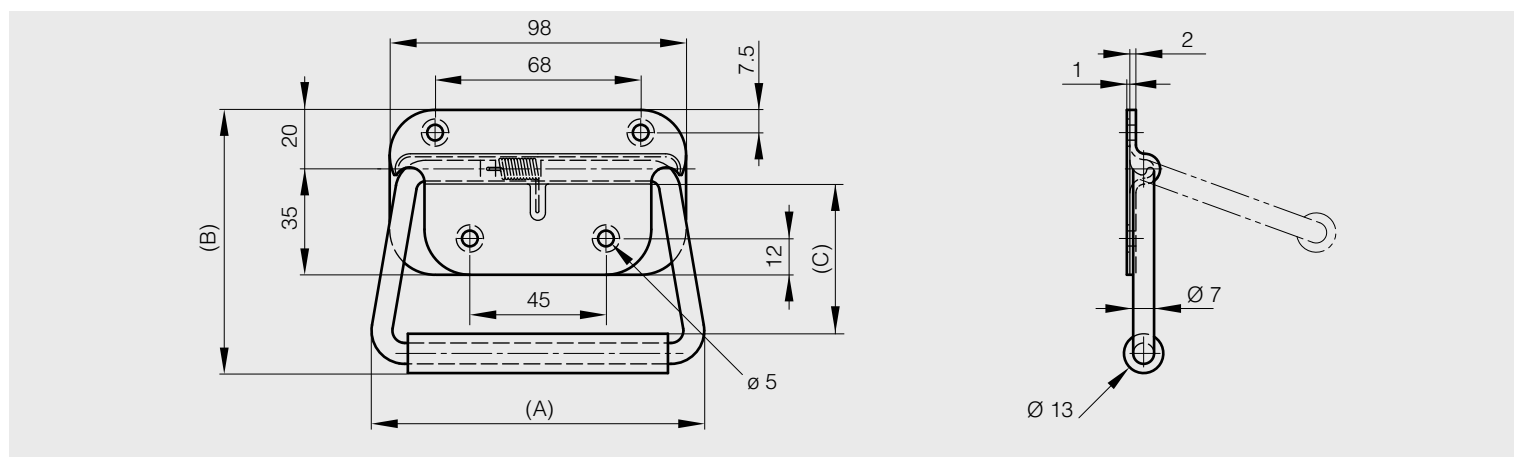


Drop handles

Spring loaded handles

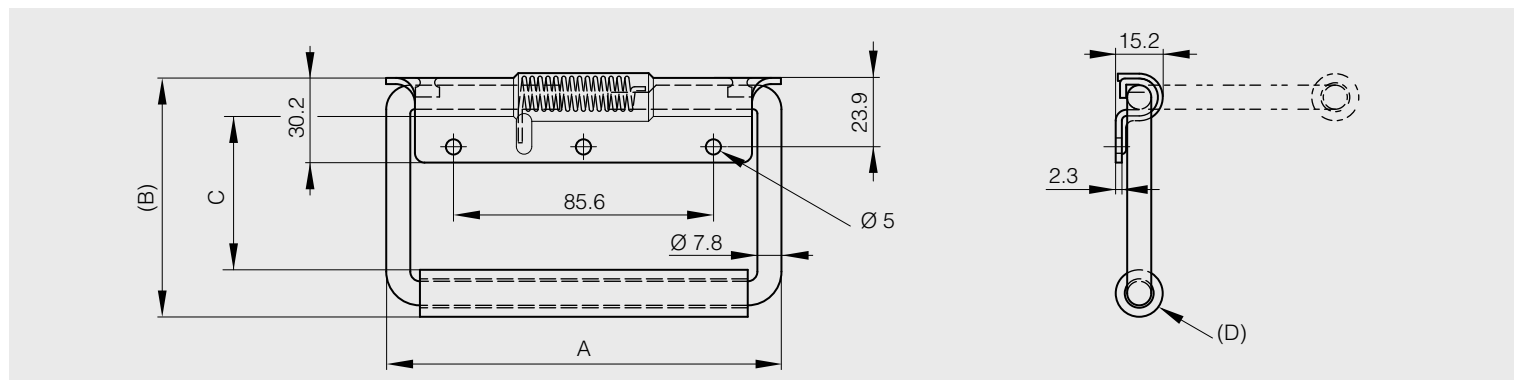
Maximum load : 25kg.
With 70° stop.

A	B	C	part number	material	finish	weight
110	87	50.5	19-7-3641	steel	zinc plated	210g



Maximum load : 45kg
With 90° stop.
Rubber grip.

A	B	C	D	part number	material	finish	weight
130	81.3	48.3	15	19-7-3733	steel	zinc plated	226g
130	81.3	48.3	19	19-7-3734	steel	zinc plated	226g



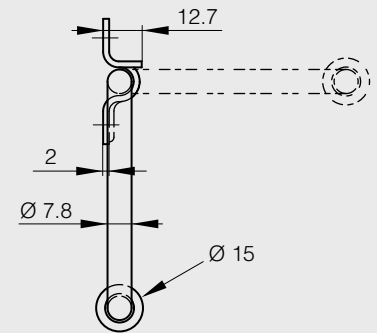
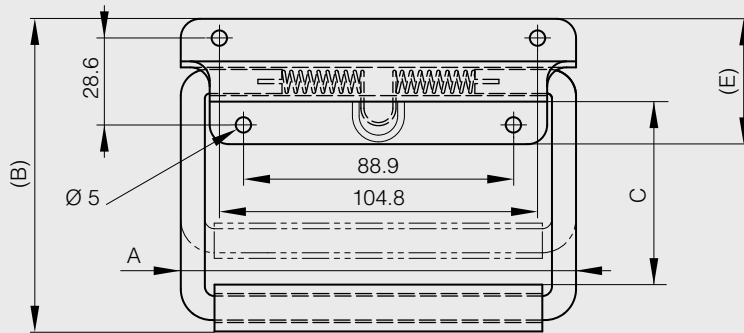


Drop handles

Spring loaded handles

Maximum load: 45kg
 With 90° stop.
 Rubber grip.

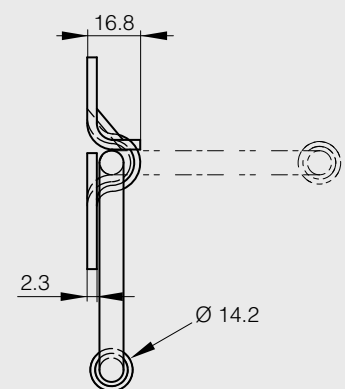
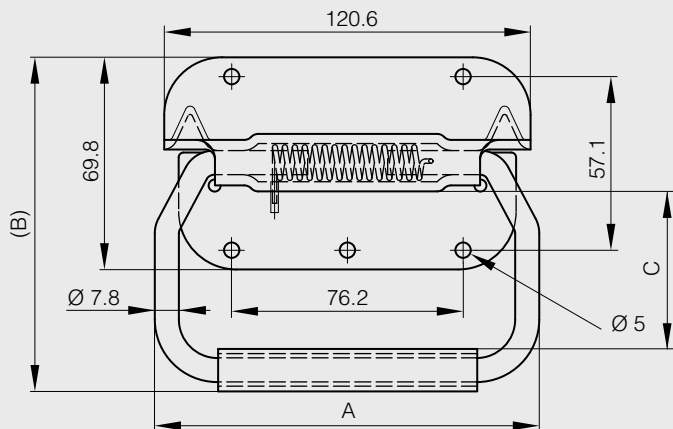
A	B	C	E	part number	material	finish	weight
130.3	82.6	38.1	39.6	19-7-3745	steel	zinc plated	272g
130.3	104.1	60.4	39.6	19-7-3740	steel	zinc plated	272g
130.3	82.6	38.1	41.9	19-7-3746	stainless steel	raw	272g
130.3	104.1	60.4	41.9	19-7-3741	stainless steel	raw	272g

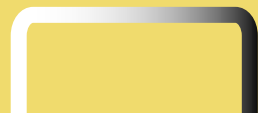


Maximum load : 54kg.
 With 90° stop.

A special aluminium sleeve located between the rubber grip and the bail assures the grip will not ride up on the bail during lifting. Adds comfort and durability.
 Fungus resistant neoprene.
 Meets military specifications MIL.T.945, MIL.C.4150.

A	B	C	part number	material	finish	weight
130	112.7	50.8	19-7-3725	stainless steel	raw	317g





Drop handles

Spring loaded handles

Maximum load : 68kg.

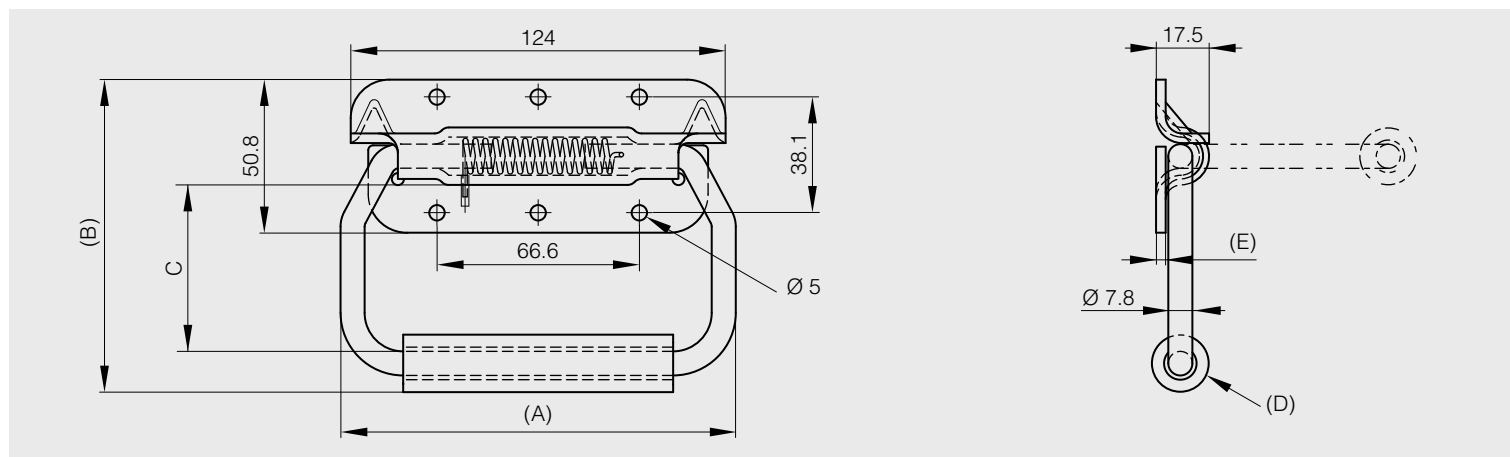
With 90° stop.

A special aluminium sleeve located between the rubber grip and the bail assures the grip will not ride up on the bail during lifting. Adds comfort and durability.

Fungus resistant neoprene.

Meets military specifications MIL.T.945, MIL.C.4150.

A	B	C	D	E	part number	material	finish	weight
130	101.6	50.8	14.2	2.3	19-7-3729	steel	zinc plated	275g
130	104.1	50.8	19	2.3	19-7-3730	steel	zinc plated	136g



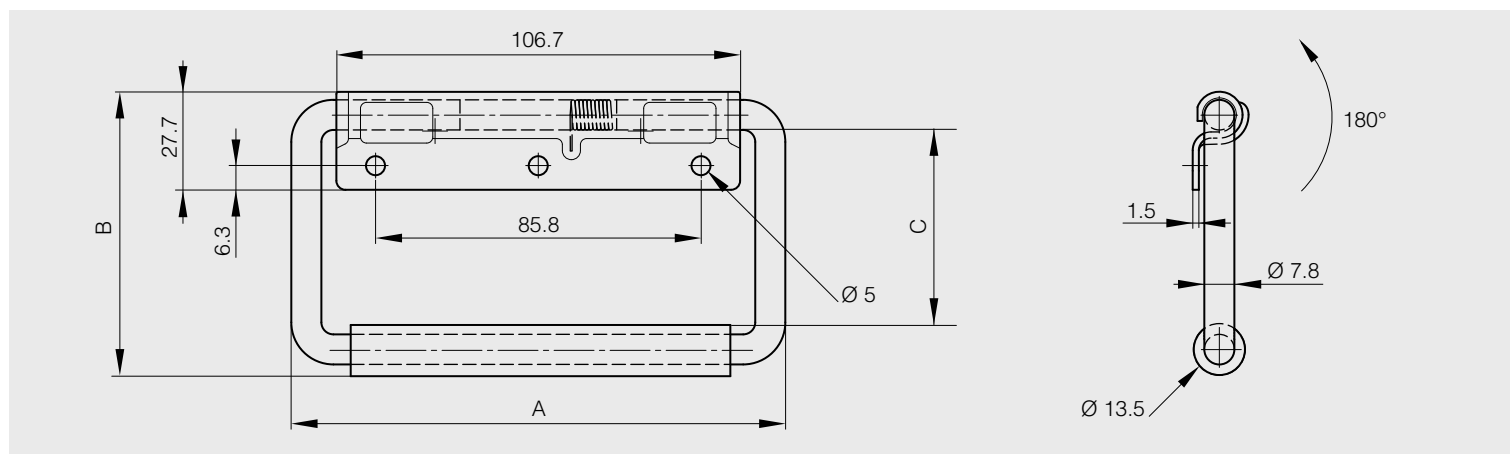
Spring loaded handles - 180° opening

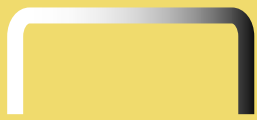
Maximum load : 34kg.

With 180° stop.

Rubber grip.

A	B	C	part number	material	finish	weight
130	75.4	46	19-7-3710	steel	black epoxy	227g
130	75.4	46	19-7-3711	stainless steel	passivated	227g



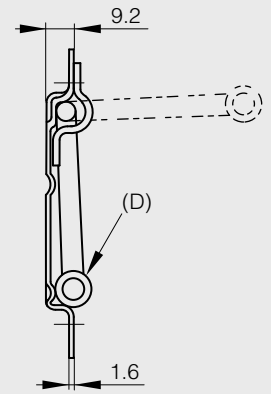
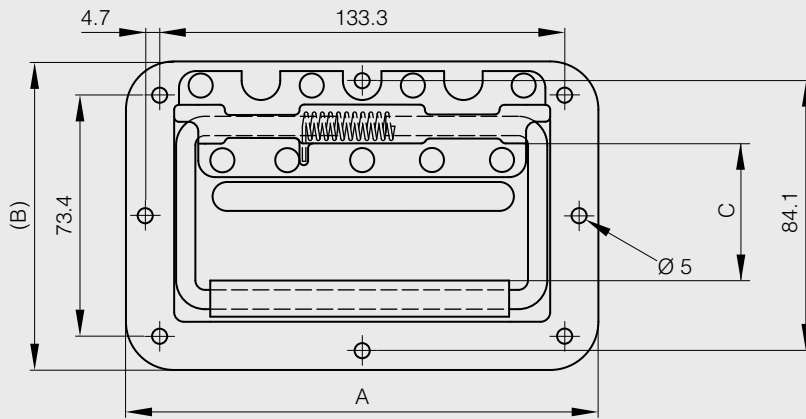


Drop handles

Recessed spring loaded drop handles

Maximum load : 57kg
 With 90° stop.
 Cut-out dimension : 78.7 x 132

A	B	C	D	part number	material	finish	weight
155.5	101.6	46	13.5	19-7-3750	steel	black epoxy	385g
155.5	101.6	42.9	19	19-7-3751	steel	zinc plated	385g
155.5	101.6	46	13.5	19-7-3749	steel	zinc plated	385g



Recessed spring loaded drop handles

Maximum load : 68kg
 With 90° stop.
 Cut-out dimension : 99 x 146

A	B	C	part number	material	finish	weight
177.8	127	62	19-7-3757	steel	black epoxy	567g
177.8	127	62	19-7-3756	steel	zinc plated	567g

