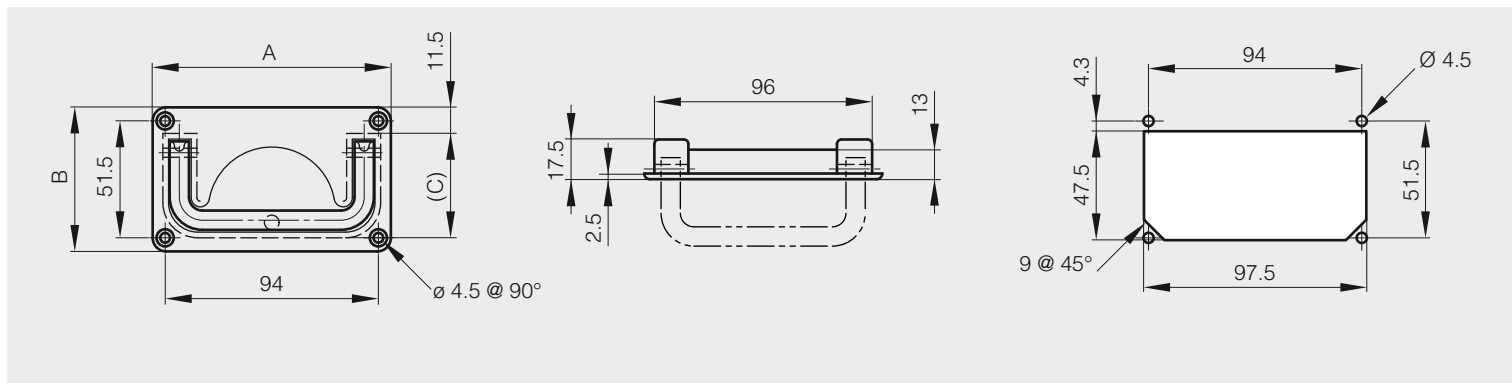


Flush handles

Flush handles

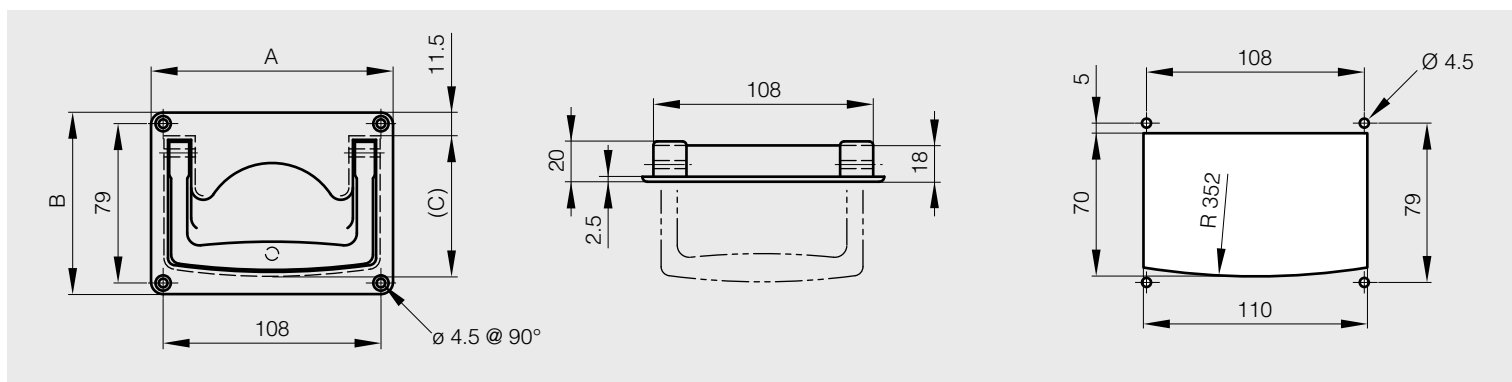
This handle has 2 detents at 0° and 90°.
 Maximum load : 100kg.
 Handle is chrome plated.
 Delivered unassembled.

A	B	C	part number	material	finish	weight
105	63.5	46	19-7-3605	alu	raw	123g



This handle has 2 detents at 0° and 90°.
 Maximum load : 100kg.
 Delivered unassembled.

A	B	C	part number	material	finish	weight
120	91	69.5	19-7-3338	alu	raw	145g





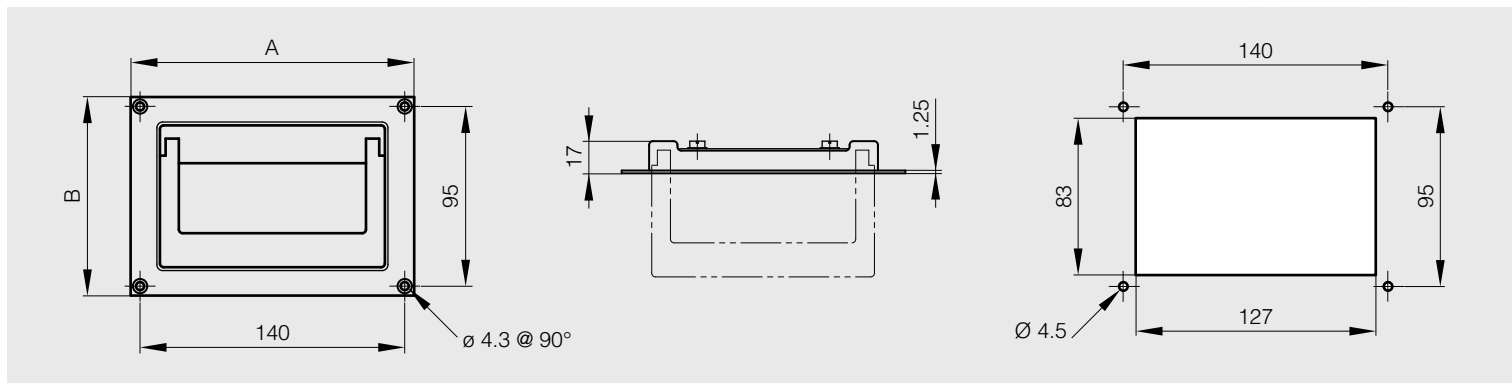
Flush handles

Flush handles

This handle has 2 detents at 0° and 90°.
 Maximum load : 100kg.
 Delivered unassembled.
 Cut-out dimension : 83 x 127.



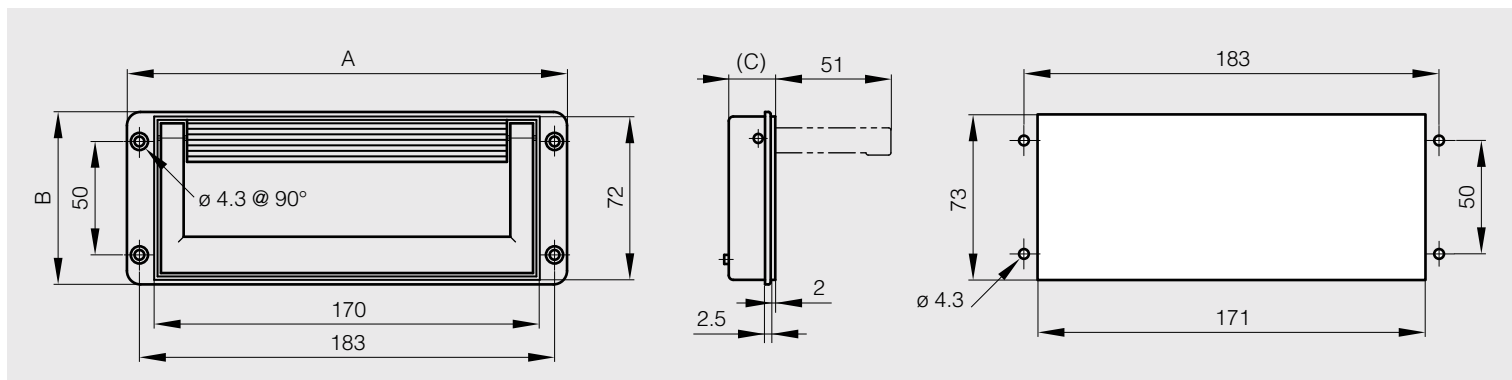
A	B	part number	material	finish	weight
150	105	19-7-3606	steel	zinc plated	450g

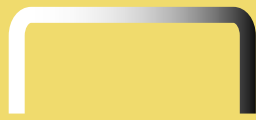


This handle has 2 detents at 0° and 90°.
 Maximum load : 100kg.



A	B	C	part number	material	finish	weight
194	76	20.5	19-7-3643	zinc die-cast	silver varnish / black	310g



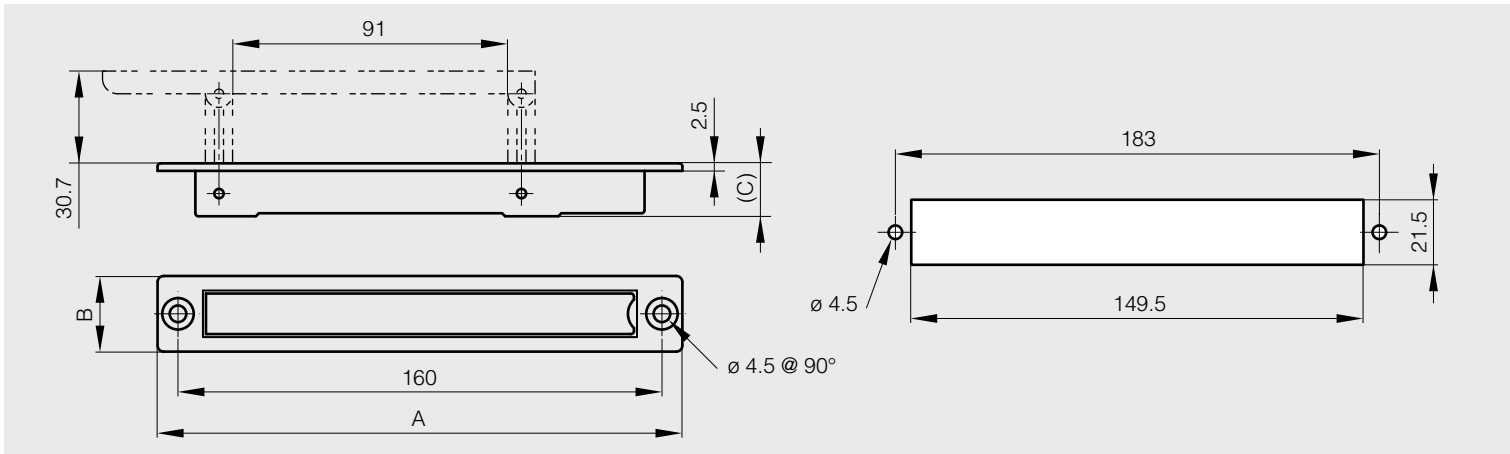


Flush handles

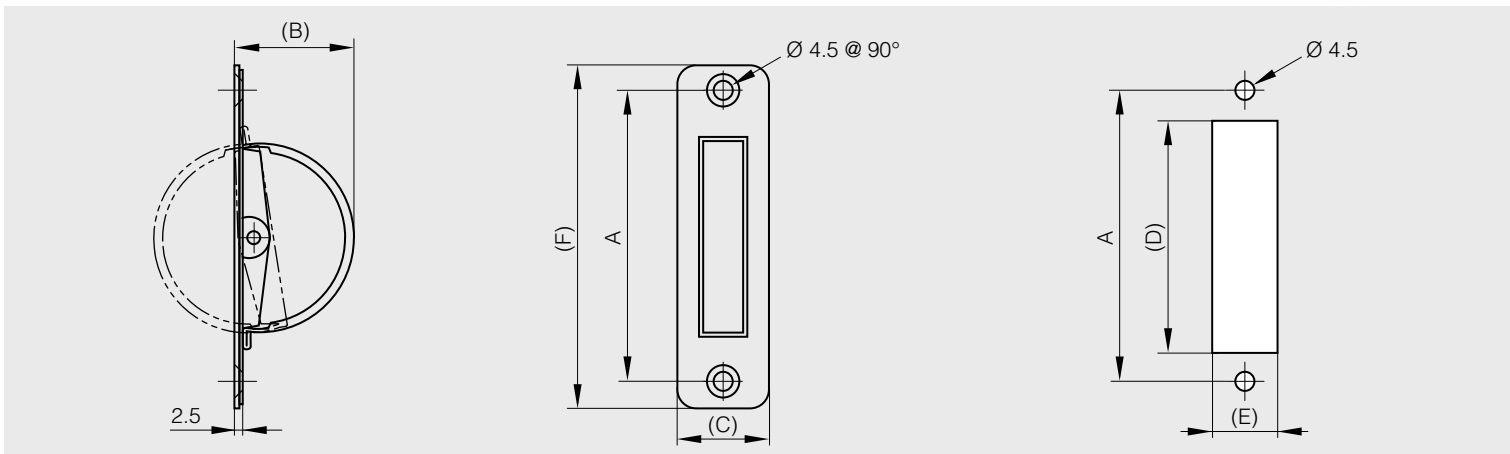
Retractable flush handles

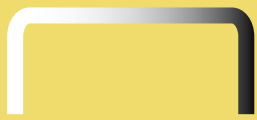
Maximum load : 10kg/pair

A	B	C	part number	material	finish	weight
173.5	25	17.5	19-7-3668	polyamide	grey	45g



A	B	C	D	E	F	part number	material	finish	weight
76	36	24	60	18	90	19-7-3813	304 stainless steel	satin	46g
94	42	24	72	18	110	19-7-3814	304 stainless steel	satin	55g



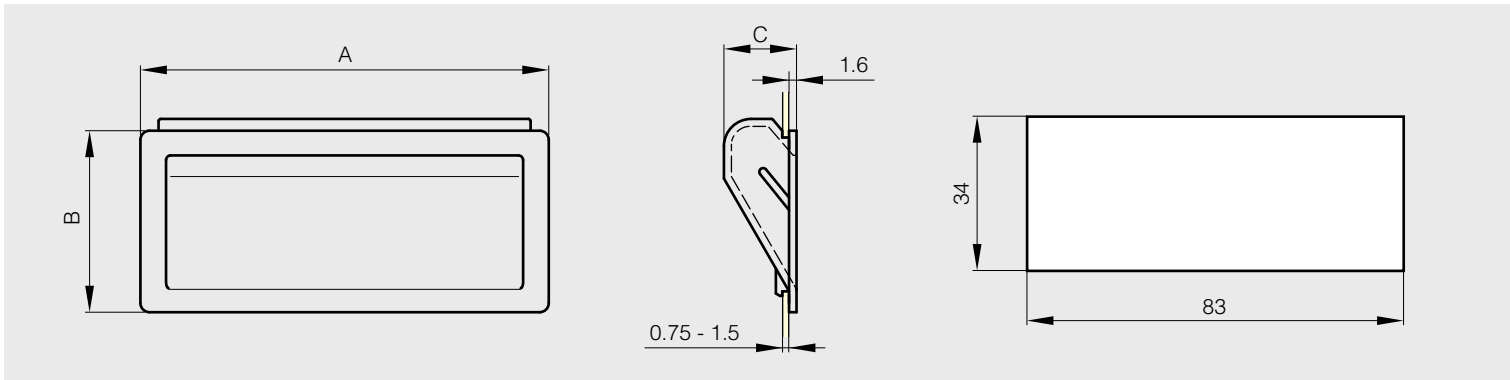


Flush handles

Snap-in flush handle

Door thickness : 0.75 to 1.5 mm

A	B	C	part number	material	finish	weight
90	40	16	19-1-3687	polyamide	black	11g

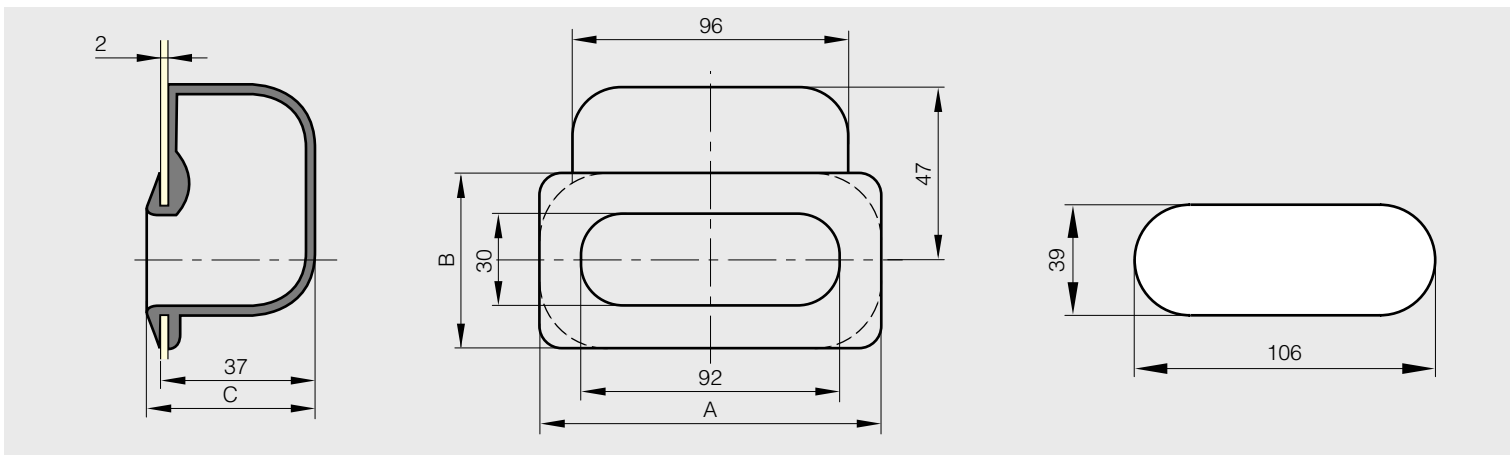


Recessed handle

new!

Snap-in

A	B	C	part number	material	finish	weight
120	58	43	19-7-3838	elastomer	black	95g



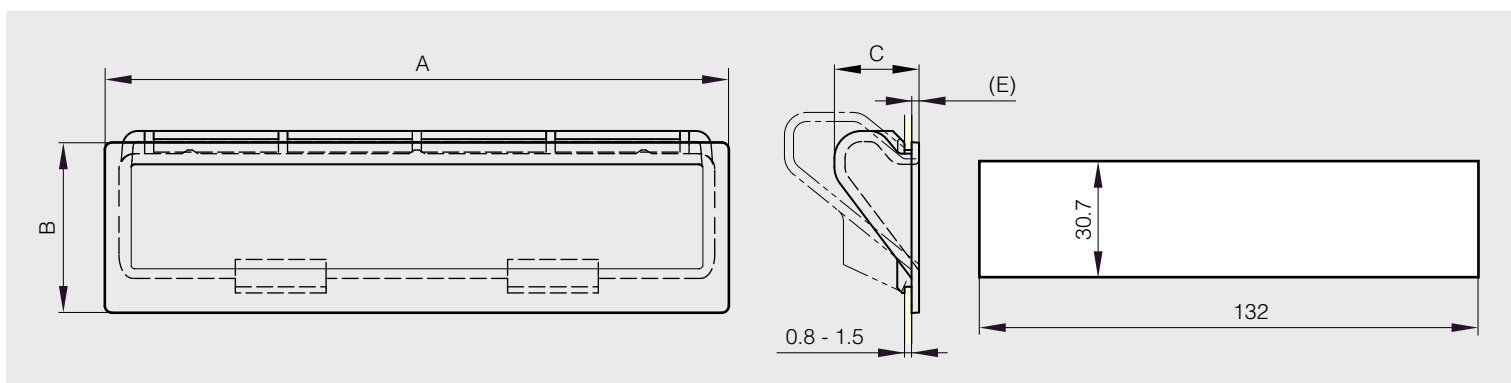


Flush handles

Snap-in flush handles

Door thickness : 0.8mm to 1.5 mm

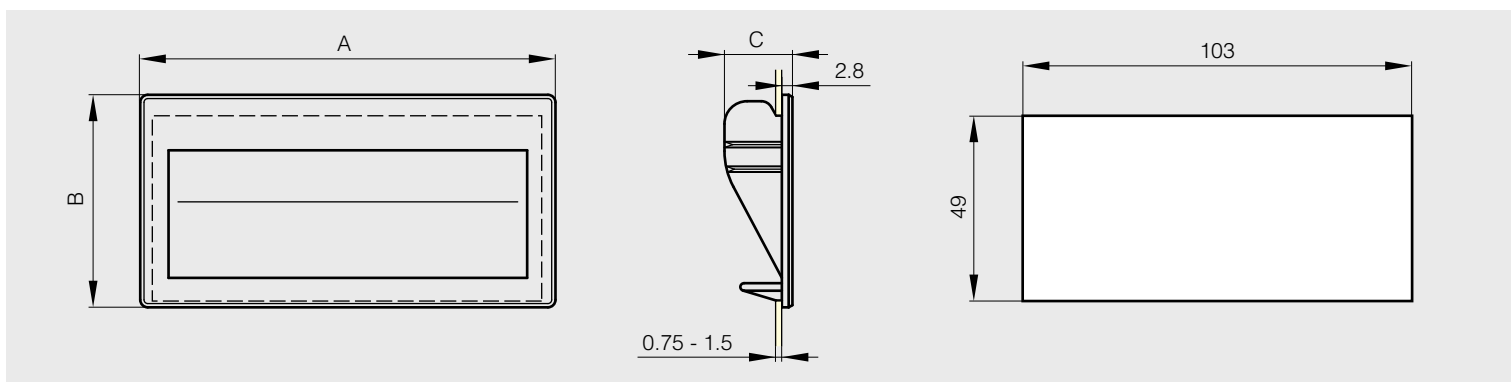
A	B	C	E	part number	material	finish	weight
137.4	37.4	18.6	1.6	19-1-3830	ABS	black	30g
140	36	30	2.0	19-7-3826	polyamide	black	32g



Flush handle

Door thickness: 0.75 mm to 1.5 mm.
Supplied with fixing clips.

A	B	C	part number	material	finish	weight
110	56.3	18	19-7-3688	ABS	black	32g



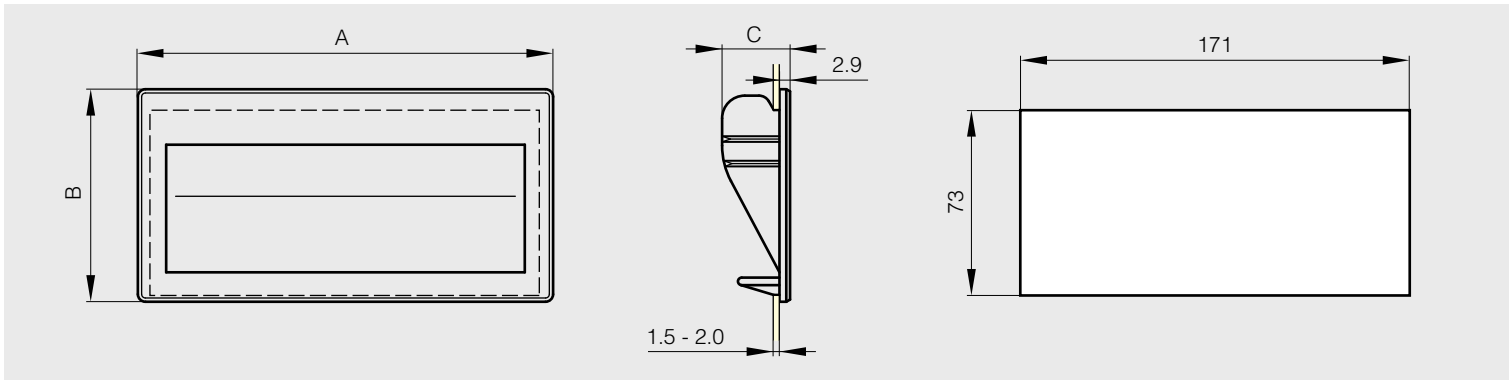


Flush handles

Flush handle

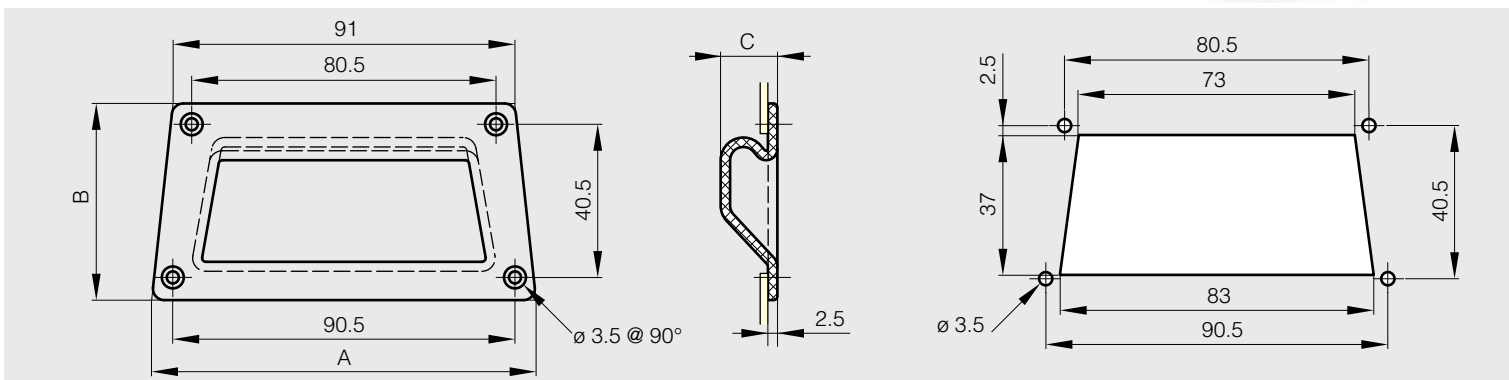
Door thickness: 1.5 mm to 2 mm.
Supplied with fixing clips.

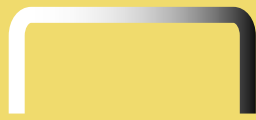
A	B	C	part number	material	finish	weight
187	79	22	19-7-3689	polyamide	black	85g



Screw-on flush handle

A	B	C	part number	material	finish	weight
101	52	15	19-7-3642	ABS	grey	20g

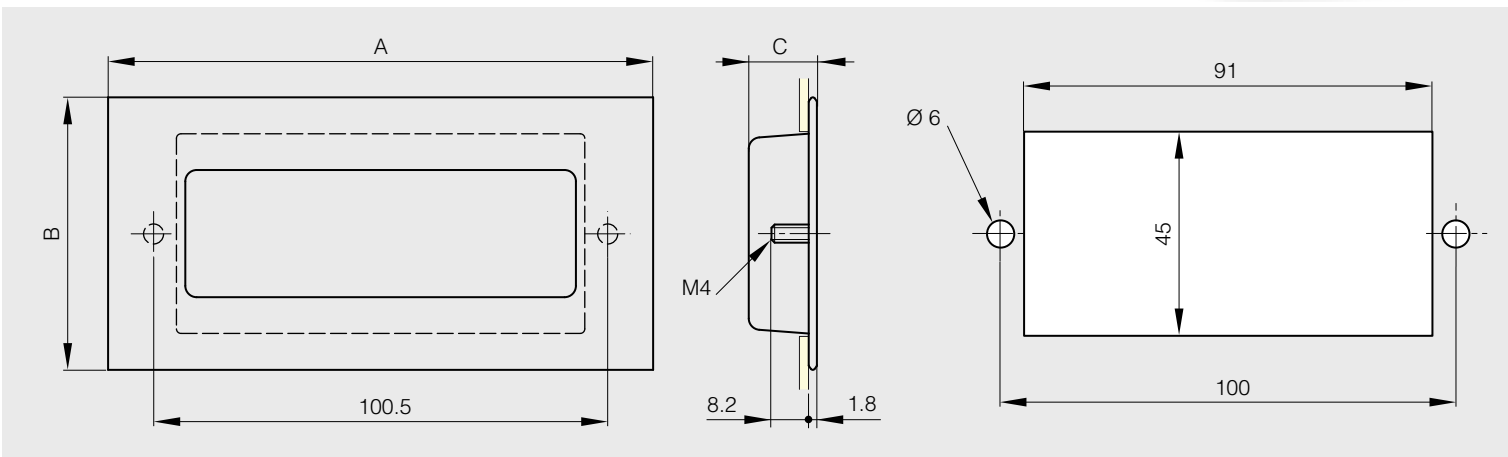




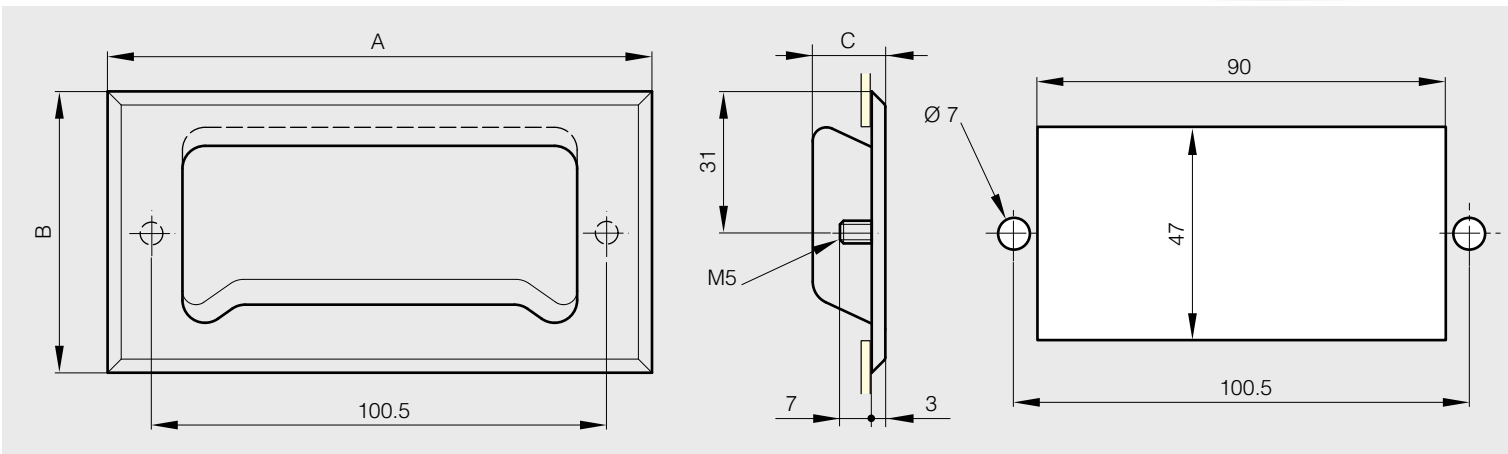
Flush handles

Bolt-on flush handles

A	B	C	part number	material	finish	weight
120	60	15	19-7-3831	304 stainless steel	satin	54g



A	B	C	part number	material	finish	weight
120	62	16	19-7-3832	304 stainless steel	satin	60g

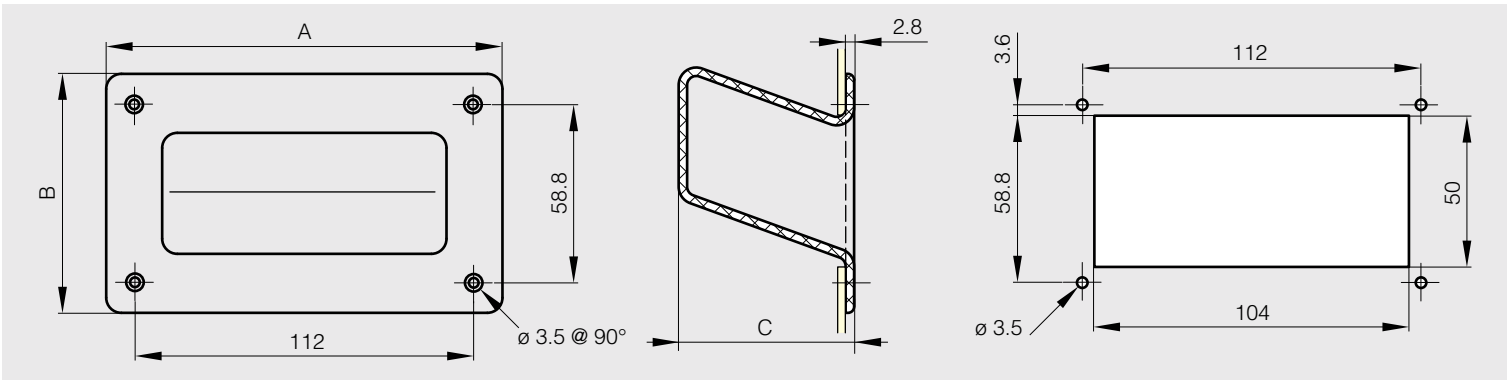




Flush handles

Screw-on flush handles

A	B	C	part number	material	finish	weight
131	79	58	19-7-3667	ABS	black	45g



A	B	C	part number	material	finish	weight
133	60	22	19-7-3815	polyamide	black	50g

