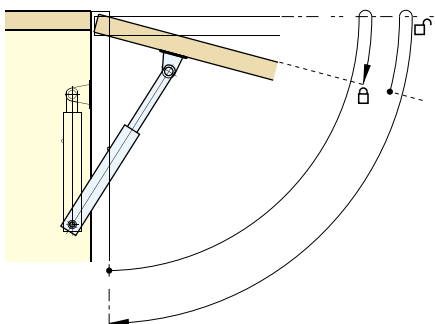


# Lid & support stays

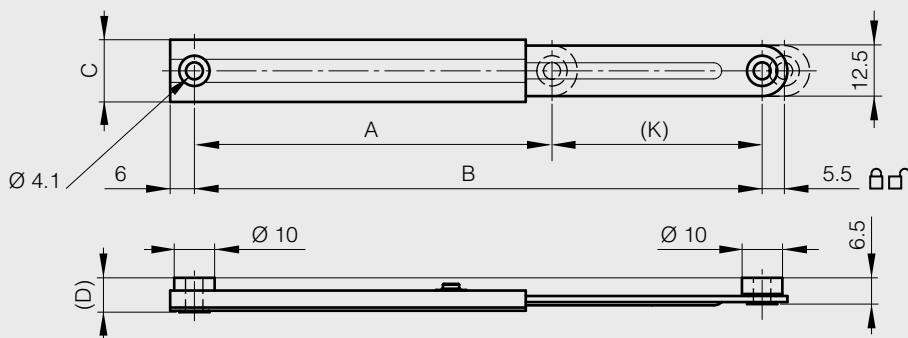


## Support stays with automatic release

**new!**

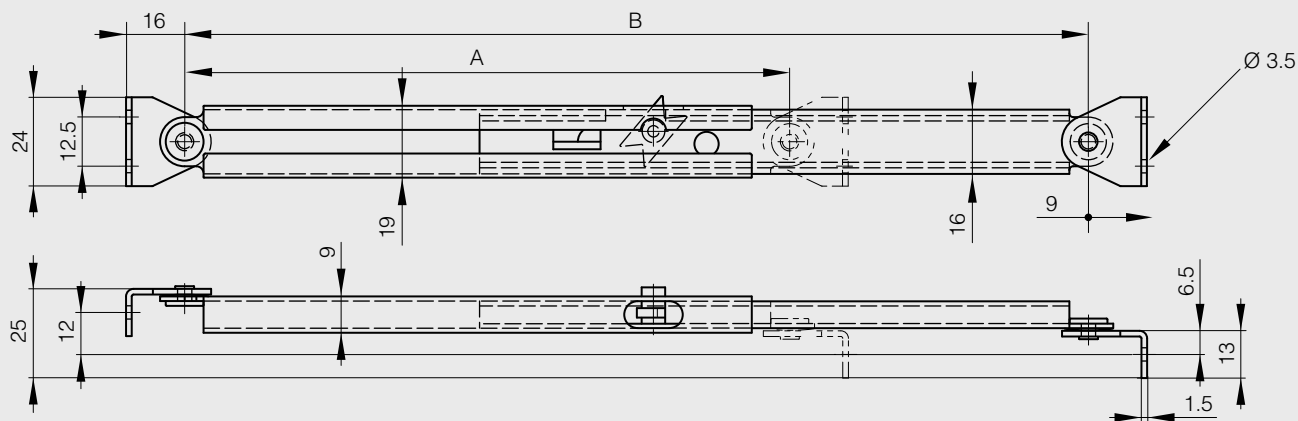
Load capacity : 6 kg

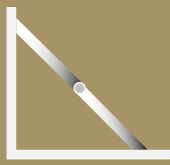
A	B	C	D	K	part number	material	finish	weight
67	100	15.4	8.8	32	24-7-3577	304 stainless steel	raw	10g
88	140	15.4	8.8	52	24-7-3571	304 stainless steel	raw	40g



A = closed dimension  
B = extended dimension

A	B	part number	material	finish	weight
159	239	24-7-3542	steel	zinc plated	112g



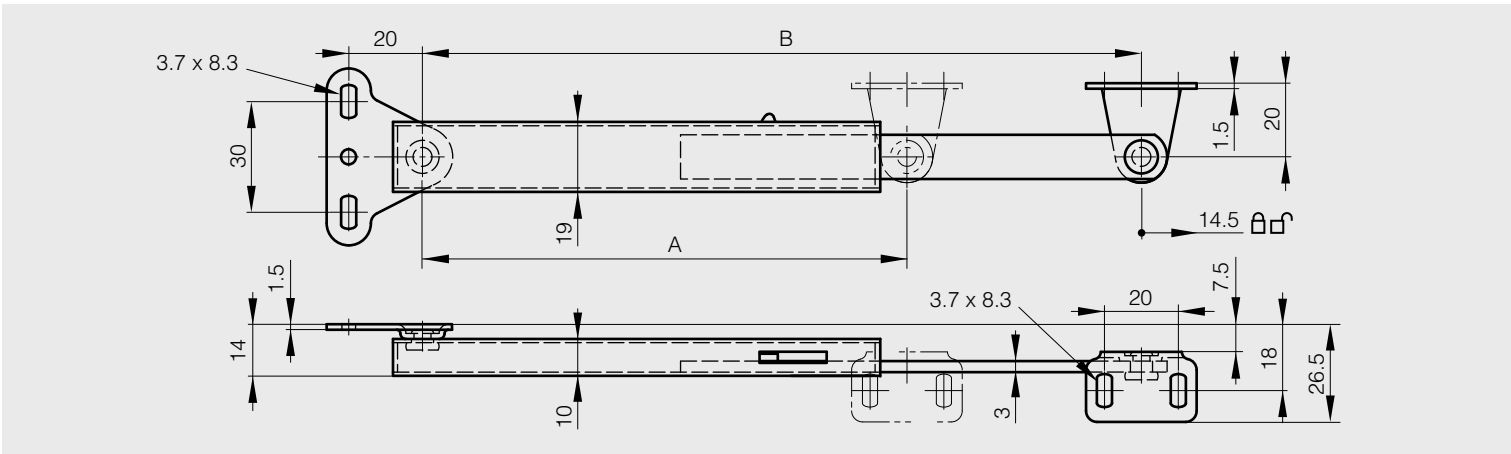


# Lid & support stays

## Support stays with automatic release

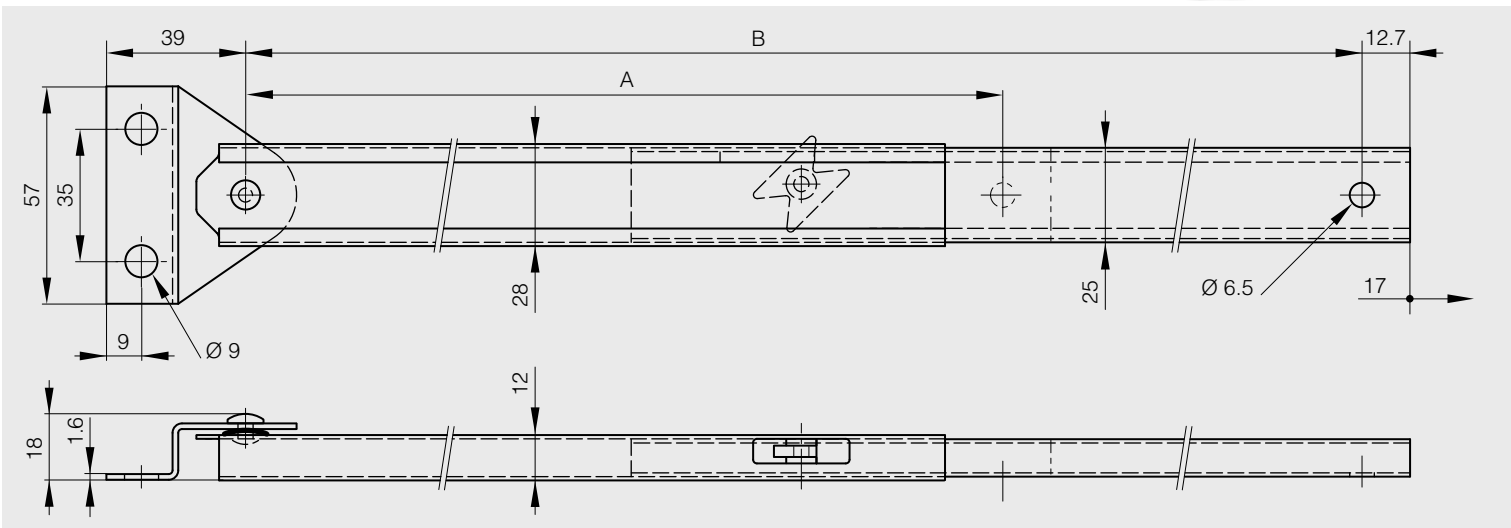
Load capacity : 15 kg

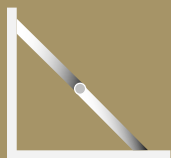
A	B	part number	material	finish	weight
133	195	<b>24-7-3552</b>	304 stainless steel	satin	125g
170	270	<b>24-7-3553</b>	304 stainless steel	satin	150g



A = closed dimension  
B = extended dimension

A	B	part number	material	finish	weight
300	495	<b>24-7-3543</b>	steel	zinc plated	304g



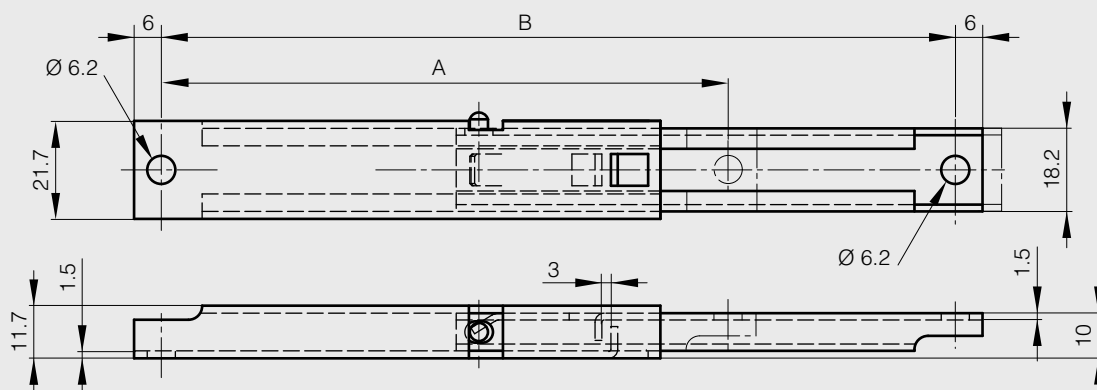
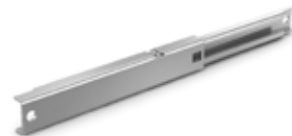


# Lid & support stays

## Support stays with manual release

A = closed dimension  
 B = extended dimension  
 Load capacity: 50 kg  
 Push button release

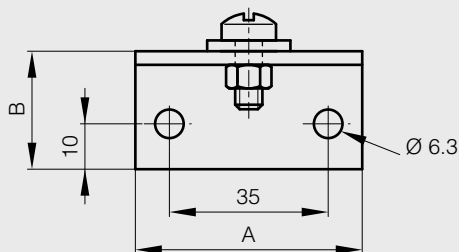
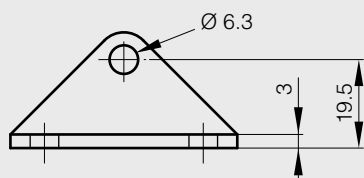
A	B	part number	material	finish	weight
125	173	24-1-3558	304 stainless steel	raw	101g
150	225	24-1-3559	304 stainless steel	raw	125g
175	275	24-1-3560	304 stainless steel	raw	145g

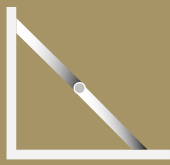


## Bracket

Complete with M6 screw, M6 nut and 3 mm thick washer  
 For part numbers 24-1-3558, 24-1-3559 and 24-1-3560

A	B	part number	material	finish	weight
50	26	99-1-3558	stainless steel	raw	54g





# Lid & support stays

## Lid stay

For holding lids or panels in open position (vertical to horizontal)

A	B	part number	material	finish	weight
180	210	<b>24-7-3546</b>	304 stainless steel	satin	89.5g
210	240	<b>24-7-3547</b>	304 stainless steel	satin	94.5g
240	270	<b>24-7-3548</b>	304 stainless steel	satin	106.5g

